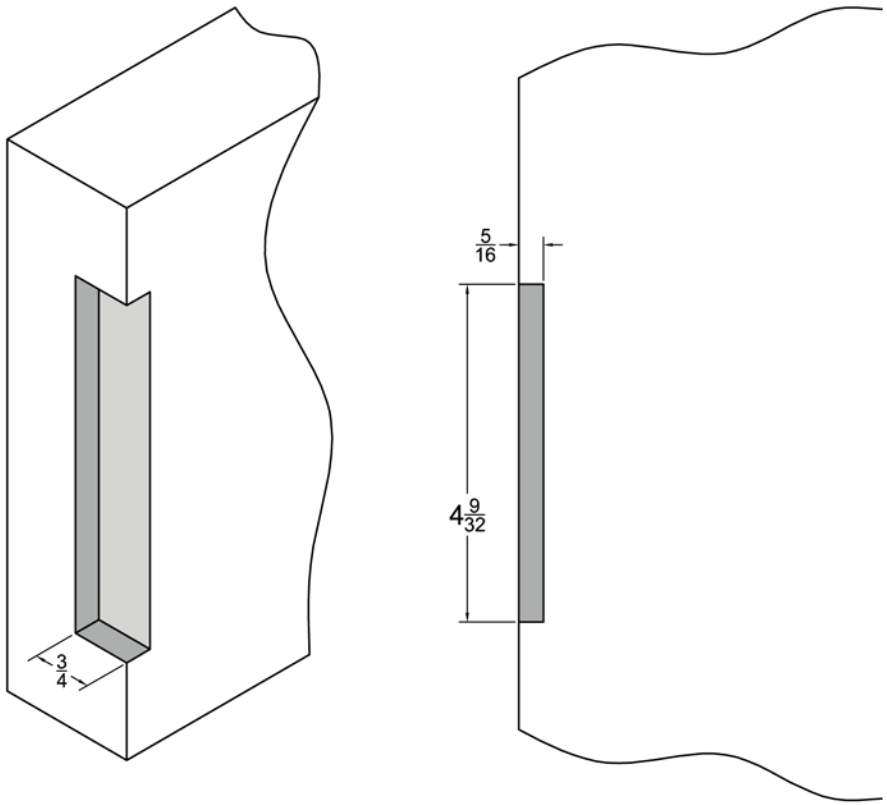


*Pre-drill screw holes, then Mount the trim with the screws provided.



Standard FE158 - 3/4" Template

T-ALH.FE158-3/4