



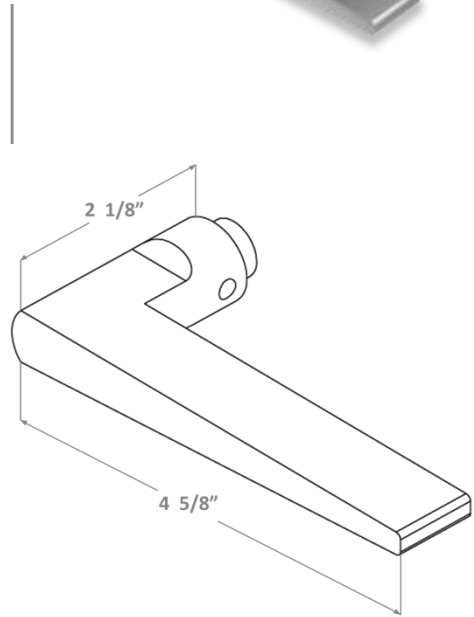
ACCURATE  
LOCK & HARDWARE  
AMERICAN CRAFTED SINCE 1972

---

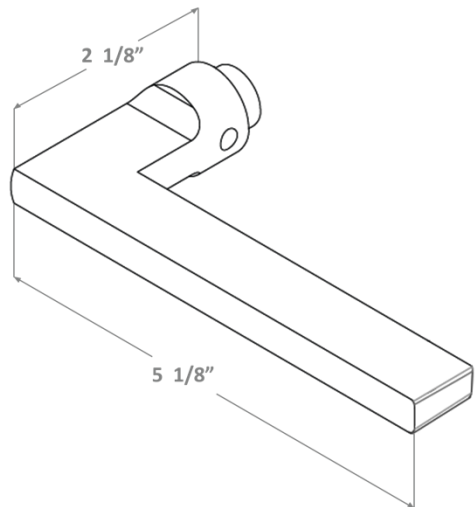
ACCURATE LEVER TRIM

# ACCURATE LEVER TRIM

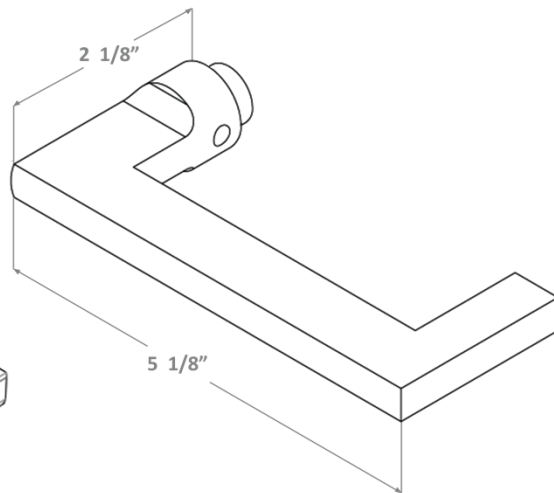
**18L LEVER**



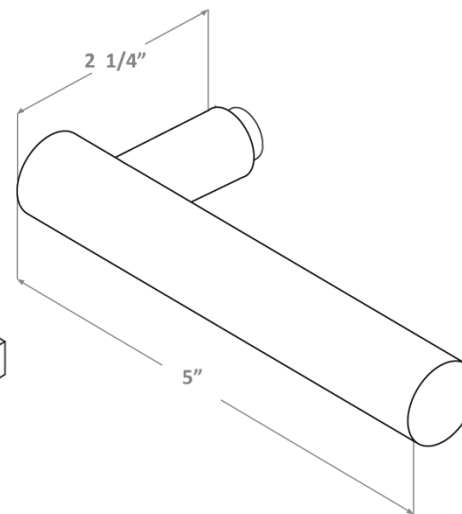
**19L LEVER**



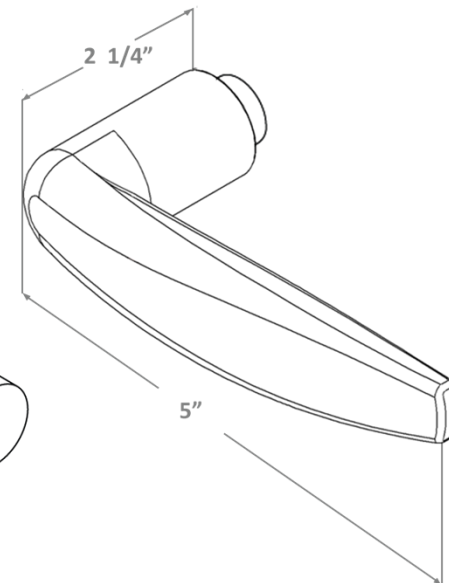
**20L LEVER**



**72L LEVER**



**29L LEVER**



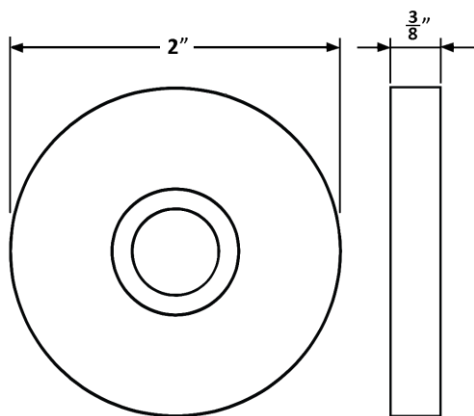
# ACCURATE ROSE OPTIONS

### 1R ROSE

Front



Side



### 2R ROSE

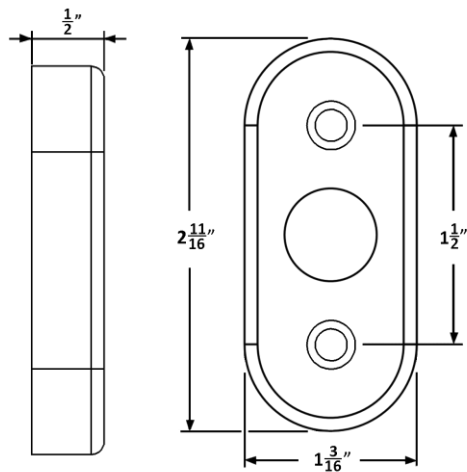
Side



Inside



Outside



### 4R ROSE

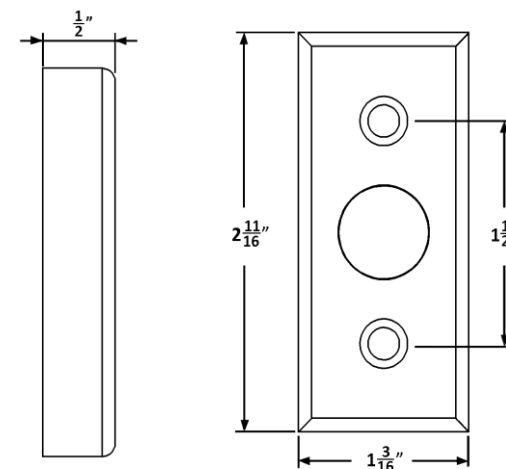
Side



Inside



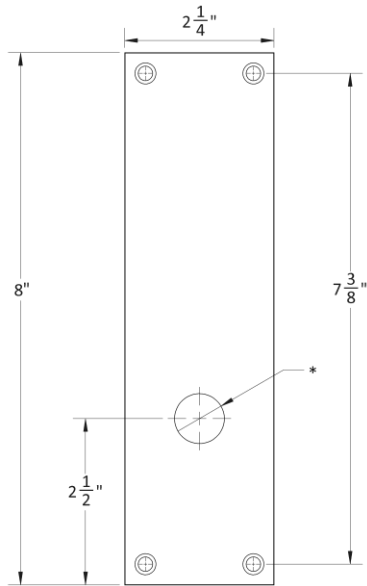
Outside



# ACCURATE ESCUTCHEON OPTIONS

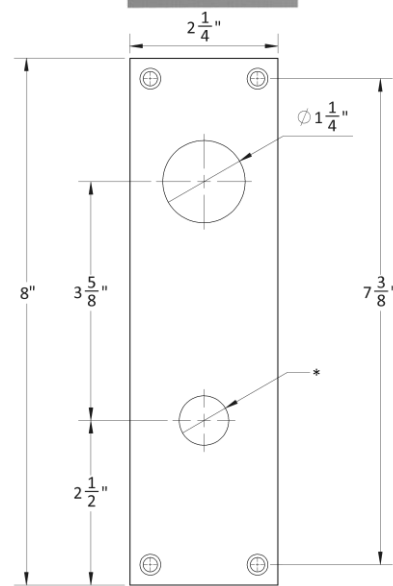
COMBINATIONS DEPEND ON FUNCTION

**1E-B**  
Blank



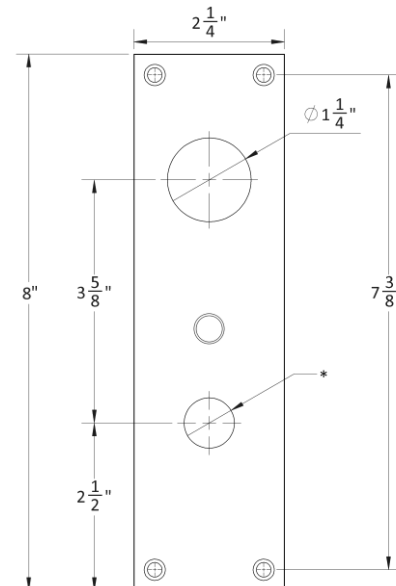
\* Dimensions may vary depending on trim

**1E-C**  
Cylinder Cutout



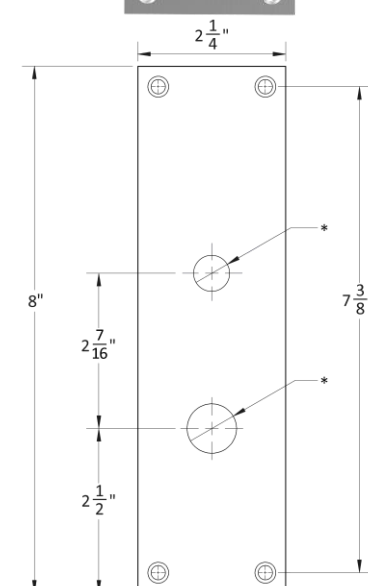
\* Dimensions may vary depending on trim

**1E-Ci**  
Cylinder Cutout with Indicator



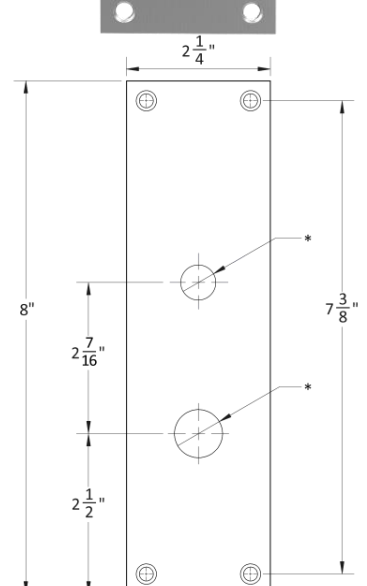
\* Dimensions may vary depending on trim

**1E-T**  
Thumb Turn



\* Dimensions may vary depending on trim

**1E-E**  
Emergency Release



\* Dimensions may vary depending on trim

**ACCURATE LOCK & HARDWARE  
MANUFACTURERS OF CUSTOM LOCKS  
AND ARCHITECTURAL HARDWARE**

1 Annie Place | Stamford, CT 06902

**P:** 203.348.8865

**F:** 203.348.5234

**E:** sales@accuratelockandhardware.com

**www.accuratelockandhardware.com**



**AMERICAN CRAFTED  
— SINCE 1972 —**