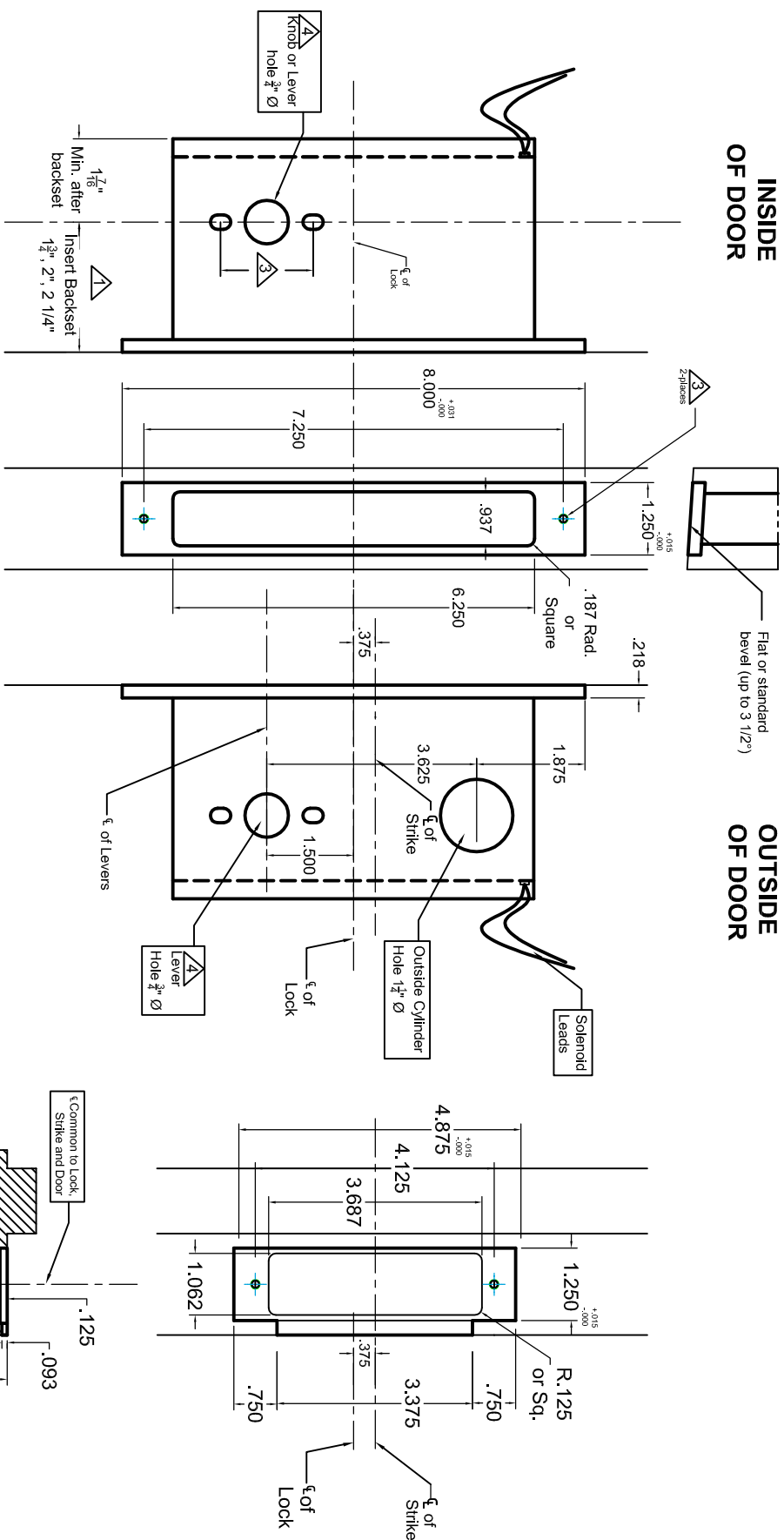


INSIDE
OF DOOR

OUTSIDE
OF DOOR

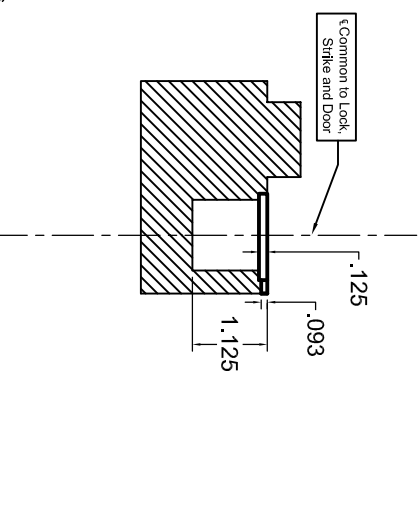


Notes:

- ▲ Insert backset here $1 \frac{3}{4}"$, $2"$, $2 \frac{1}{4}"$
 - ▲ Prep for #12 wood or #12-24 machine screws
 - ▲ Thru bolting holes **ONLY** if required. See trim manufacturers standard template for details.
- Accurate lock's accommodates $\frac{1}{2}"$ to $\frac{1}{16}"$ center to centers and up to $\frac{3}{4}"$ dia. post. If there are any additional questions about the thru-bolting, please contact our office. Lever holes may vary from different trim manufacturers. Please refer to their templates to confirm these dimensions.

Additional Notes:

- a) **Responsibility:** Door and frame manufacturers are responsible for providing adequate construction or re-inforcement for proper installation of hardware shown.
- b) Please contact us if a double lip strike is needed - for a proper template
- c) See catalog / spec sheets for additional lock details



ACCURATE

LOCK & HARDWARE

AMERICAN CRAFTED SINCE 1972



Standard M8859E Template

All Backsets

T-ALH.M8859E