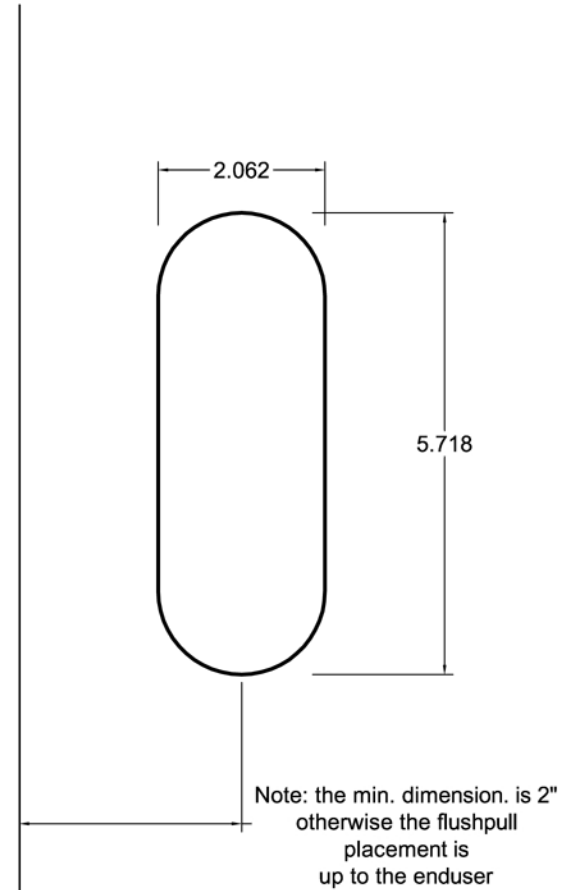
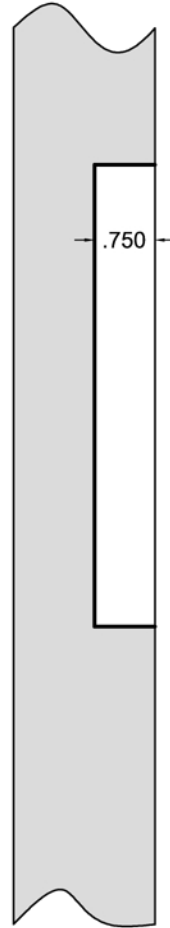


Back to
Back Prep.



Single
Side Prep.



ACCURATE
LOCK & HARDWARE
AMERICAN CRAFTED SINCE 1972

Standard FC7002 Flush Pull

Additional Notes:

- a) **Responsibility:** Door and frame manufacturers are responsible for providing adequate construction or re-inforcement for proper installation of hardware shown.
- b) See catalog / spec sheets and template #T-ALH.FC7002 for additional details

T-ALH.FC7002