

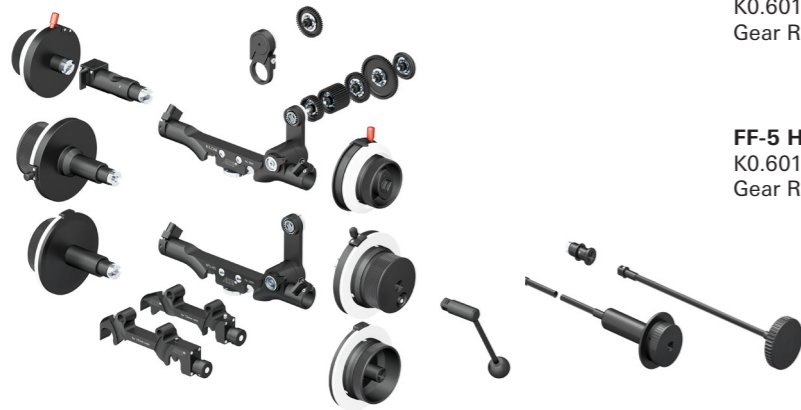
Studio Follow Focus FF-5 System / FF-4



CONFIGURATION OVERVIEW – 7.2.0 / 2015.03

© 2010 Arnold & Richter Cine Technik GmbH & Co. Betriebs KG. All rights reserved. This material is provided "as is" for information purposes only without any warranty. ARRI assumes no responsibility with regard to the performance or use of the products or typographical errors or inaccuracies of given information. Product specifications are subject to change without notice. For a full listing of all available components consult the price list.

Follow Focus FF-5 Sets



FF-5 Cine Set basic
K0.60143.0
Gear Ratio 2:1
incl.
FF-5 Cine Base, K2.65246.0
Focus Knob standard left, K2.65253.0
Module gear for smaller primes 0,8, K2.65276.0
Module gear for larger primes 0,8, K2.65259.0

FF-5 HD Set basic
K0.60145.0
Gear Ratio 1:1
incl.
FF-5 HD Base, K2.65252.0
Focus Knob standard left, K2.65253.0
Module gear 0,5/78/6, K2.47631.0
Module gear 0,6/64/6, K2.47632.0

additional accessories e.g.
Bridgeplate Adapters for
19mm or 15mm have to
be ordered separately

FF-5 Cine Set pro
K0.60144.0
Gear Ratio 2:1
incl.
FF-5 Cine Base, K2.65246.0
Focus Knob standard left, K2.65253.0
Module gear for smaller primes 0,8, K2.65276.0
Module gear for larger primes 0,8, K2.65259.0
Focus knob standard right, K2.47215.0
Focus lever, K2.32730.0
Flexible shaft short, K2.34100.0
Marking disk flat large (10x), K2.32701.0

FF-5 HD Set pro
K0.60146.0
Gear Ratio 1:1
incl.
FF-5 HD Base, K2.65252.0
Focus Knob standard left, K2.65253.0
Module gear 0,5/78/6, K2.47631.0
Module gear 0,6/64/6, K2.47632.0
Focus knob standard right, K2.47215.0
Focus lever, K2.32730.0
Flexible shaft short, K2.34100.0
Marking disk flat large (10x), K2.32701.0

Follow Focus FF-4 black edition

BLACK edition:
Follow Focus FF-4 SET for 19 mm Rods K0.60120.0
Follow Focus FF-4 SET for 15 mm Rods K0.60121.0
Set includes:
Main Unit K2.65221.0, BA Adapter K2.65224.0 (19mm) or
K2.47500.0 (15mm), Gear for Prime lenses K2.47252.0, Focus
lever K2.32730.0, Marking disk (4x) K2.32701, case K2.44965.0

Sample Configuration:

Gears see beside
please order separately

Left Focus Knob
K4.47589.0
(included in
K2.47121.0)
Marking Disk flat
K2.32701.0

**Follow Focus
Device FF-4, black**
(includes left focus
knob) K2.65221.0

Focus Knob right
K2.47215.0

Adapter BA-2, black
K2.65224.0
for 19 mm rods

**2-Speed Focus
Knob, K2.43702.0**

Adapter BA-3, black
K2.47500.0
for 15 mm rods

Basic Units and Accessories FF-5



FF-5 HD Base
K2.65252.0
Gear Ratio 1:1



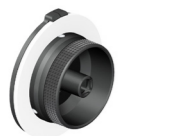
FF-5 Cine Base
K2.65246.0
Gear Ratio 1:2



BP Adapter 15 mm
K2.47630.0



BP Adapter 19 mm
K2.47629.0



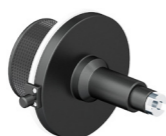
**Focus Knob
Standard left**
K2.65253.0



**Focus Knob
Standard right**
K2.47215.0



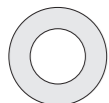
**2-Speed Focus
Knob left**
K2.66129.0



**2-Speed Focus
Knob right**
K2.43702.0



**Hard Stop Focus Knob
for left and right**
K2.65248.0



Marking Disk, flat K2.32701.0
Marking Disk, bevelled K2.47248.0
(for standard and 2-speed knob)



**Set of Marking Disk
(10x K2.32701.0), K0.60159.0**
**Set of Marking Disk
(5x K2.32701.0), K0.60160.0**



Marking Disk, flat K2.47292.0
Marking Disk, bevelled K4.47621.0
(for hard stop knob)



Flexible Shaft long
K2.32731.0



**Flexible Shaft
short, K2.34100.0**



Focus Lever
K2.32730.0



**Coupling for
Flexible Shaft**
K2.47235.0



Reverse Gear Set
K0.60161.0
(incl. 1x Reverse Gear
K2.65247.0 &
2x Gear K2.65259.0)



**Extension for
Focus Knob**
K2.32985.0



Case for Follow Focus
K2.44965.0

Follow Focus Gears

For more Gears please see
Configuration Overview 7.1.0



Accessories for FF-4



Focus Lever
K2.32730.0



**Flexible
Shaft, long**
K2.32731.0
(900 mm)



**Flexible
Shaft, short**
K2.34100.0
(300 mm)



**Extension
for focus knob**
K2.32985.0



**Coupling
for flexible shaft**
K2.47235.0
(not for LFF-1)



**Case for Follow Focus
FF-3/FF-4, K2.44965.0**



Marking Disk, bevelled
K2.47248.0 (for FF-3, FF-4,
FF-5HD and LFF-1
with large focus knob only)

Marking Disk, flat
K2.32701.0 (for FF-3, FF-4,
FF-5HD and LFF-1
with large focus knob only)

Set of Marking Disk (10x K2.32701)
K0.60159.0
Set of Marking Disk (5x K2.32701.0)
K0.60160.0