

POWER STAND QVR

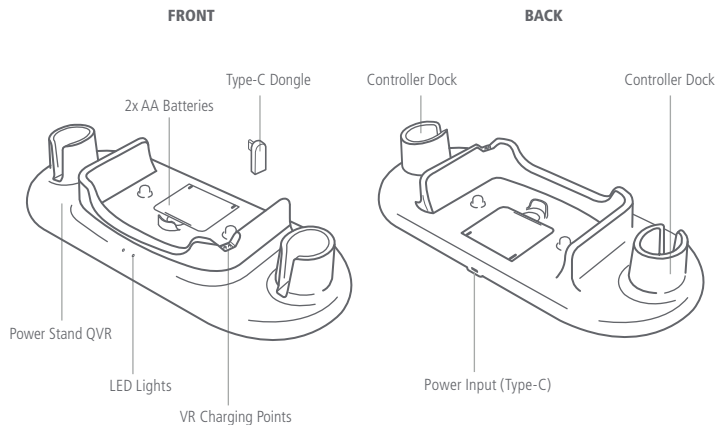
CHARGING DOCK AND STAND

FOR OCULUS QUEST™ VR HEADSET & TOUCH CONTROLLERS

PRODUCT OVERVIEW

Power Stand QVR is designed to safely display, store and charge your Oculus Quest™ VR headset, includes docking for your two Touch Controllers and integrated AA NiMH battery recharging bay. The custom Type-C dongle, conveniently adapts your Quest™ VR headset to easy drop and charge with the dock. The Power Stand QVR provides power from the connected wall charger to recharge the Quest™ VR headset, while also providing the power source for the integrated AA NiMH battery bay (rechargeable batteries not included) for use with your Touch Controllers. It takes up to 3 hours to fully charge the VR headset.

With Power Stand QVR, you will have all your charging equipment in one place while keeping them organized and within reach.

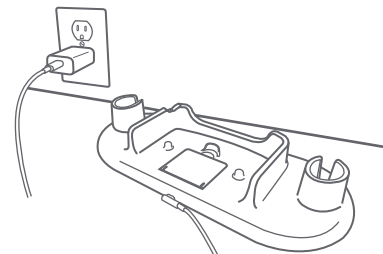


PACKAGE CONTENTS

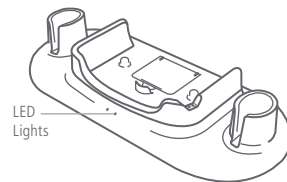
- Power Stand QVR
- Type-C Dongle
- User Guide

STORE & CHARGE YOUR VR HEADSET

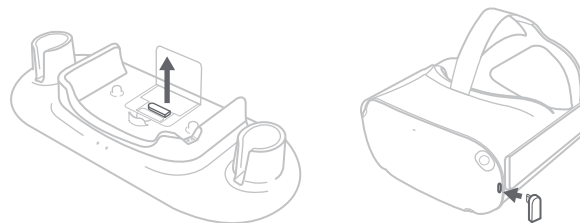
1. Plug in your Oculus® OEM wall charger (not included) to the Type-C port on the back of Power Stand QVR.



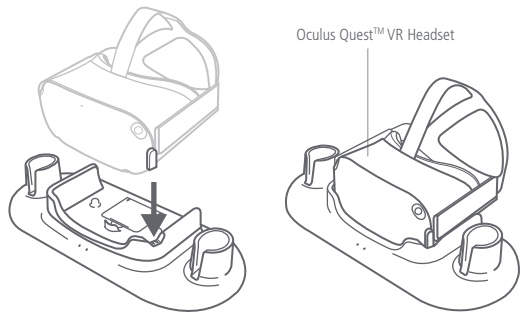
2. The LED lights on the front will briefly flash to indicate that it's connected properly. If AA NiMH rechargeable batteries are inserted, the LED lights will turn RED which indicates charging. The power source is charging both your headset and the rechargeable batteries simultaneously.



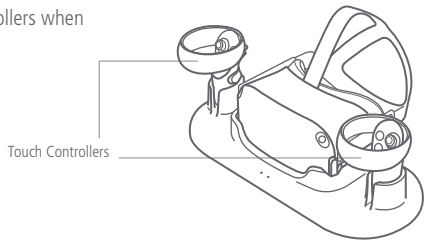
3. The included Type-C dongle can be found nested in the AA battery bay. Remove the dongle from the charging bay and insert it into the Type-C charging port on your VR headset.



- Place your Quest™ VR headset to charge. When charging, the LED on your VR headset will turn GREEN. Built-in automatic idle charging control protects your device from overcharging. The LED remains GREEN when it's idle.

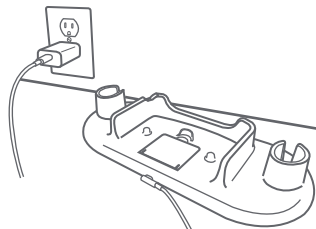


- Store your Touch Controllers when they are not in use.



HOW TO USE THE BUILT-IN BATTERY RECHARGER

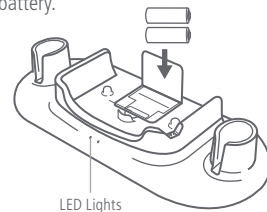
- Plug in your Oculus® OEM wall charger (not included) to the Type-C port on the back of Power Stand QVR.



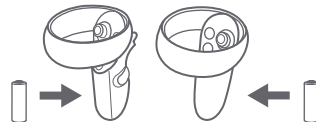
- Place two AA NiMH rechargeable batteries (not included) into the charging bay. This charger is designed to use with NiMH batteries. Use of other batteries is not supported. 1600-2500mAh battery is recommended for each battery.

AA CAPACITY	RECHARGE TIME
1200mAh	1.5 hours
2000mAh	2.5 hours
2500mAh	3 hours

Approximately 1 hour recharge time per 800mAh of capacity.



- When the batteries are charging, the LED is RED; when it's ready to use, the LED is GREEN.
- When the batteries are fully charged, remove them from the charging bay and insert them into your Touch Controllers.



TIPS

- Some NiMH rechargeable batteries may self-discharge when not in use. The LED turns RED and may take several minutes to turn back to GREEN.
- Remove AA batteries from the charging bay when not being used. Note that extended charging will shorten the lifespan of the batteries.
- To keep your batteries in top shape, they should be charged and used at least once a month.

CONTACT

support@s2diousa.com | 844-723-4633

One Year Manufacturer's Limited Warranty.

For details, please visit: www.s2diousa.com/warranty

See more products on www.s2diousa.com

"Oculus", "Quest", and "Oculus Quest" are trademarks of Facebook Technologies, LLC. Product names, logos, brands, and other trademarks referred to herein are the property of their respective trademark holders. All trademarks remain the property of their respective holders, and are used only to directly describe the products being provided. These trademark holders are not affiliated with S2dio, LLC. They do not sponsor or endorse S2dio, LLC products or services. S2dio and the S2dio logo are the registered trademarks of S2dio, LLC.

Designed in USA, Made in Philippines