

1ml VARIABLE AUTOMATIC INJECTOR MODEL 09 WITH LUER MOUNT



The NJ Phillips 1ml Automatic Injector is a precision instrument, with a high quality finish, designed for mass treatment of live stock and poultry with a variety of vaccines and injectable solutions.

Given normal care it will last indefinitely. No responsibility will be accepted by the manufacturer should this instrument be used for any purpose than that intended.

SOME OF ITS MORE OUTSTANDING FEATURES ARE DETAILED BELOW.

POSITIVE NEEDLE LOCK

The novel easy-off fitting enables the Luer needles to be easily removed. To attach the needle, simply unscrew the locking nut until the needle hub can be fitted to the tapered mount, then retighten to secure the needle.

DOSE ADJUSTMENT

An extremely positive locking mechanism enables doses to be set and locked in position with ease. The cylinder is clearly graduated from 0.1ml to 1ml in increments of 0.1ml.

VALVE SYSTEM

Valve components are proven designs that are trouble free and are easily accessible for cleaning.

EASE OF STERILIZATION

There is no need to dismantle this instrument when sterilizing. Simply immerse the hand piece in boiling water (see instructions for use) or fill with a suitable chemical sterilant.

VISIBILITY OF DOSE

The unique stepped cylinder design provides full dose visibility while at the same time allowing a comfortable length of stroke without sacrificing accuracy.

ROBUST CONSTRUCTION

Our research and development team have skilfully combined a quality appearance with durability while keeping weight to a minimum.

INSTRUCTIONS FOR USE

- It is essential that this instrument, and a supply of needles, be thoroughly sterilized before each use. A common method of sterilization is as follows:
 - Attach connecting hose to handpiece.
 - Wrap cloth around handpiece and draw hot water into the cylinder through the connecting hose.
 - Suspend the complete instrument in a container of water and boil, together with the needles, for 10 to 20 minutes.
 - Remove instrument from container, wrap cloth around the handle and pump dry.



Suspending the instrument not only makes it easier to remove, but also prevents damage should the container boil dry.

Chemical sterilization with antiseptic solutions is sometimes practised and in such instances the recommendations of the chemical manufacturer should be followed. **DO NOT attempt to sterilize by autoclaving.**

- Prime the instrument **holding it vertically, with the needle pointed upwards**, to ensure the applicator is fully primed.



Care must be taken to ensure liquid does not come into contact with any part of the operators body. Chemicals may cause injury to the operator.

- Align front edge of piston with the required dose graduation mark on the cylinder.
- Test for accuracy by expressing into a properly calibrated measuring glass.

CARE AND MAINTENANCE

Before Use

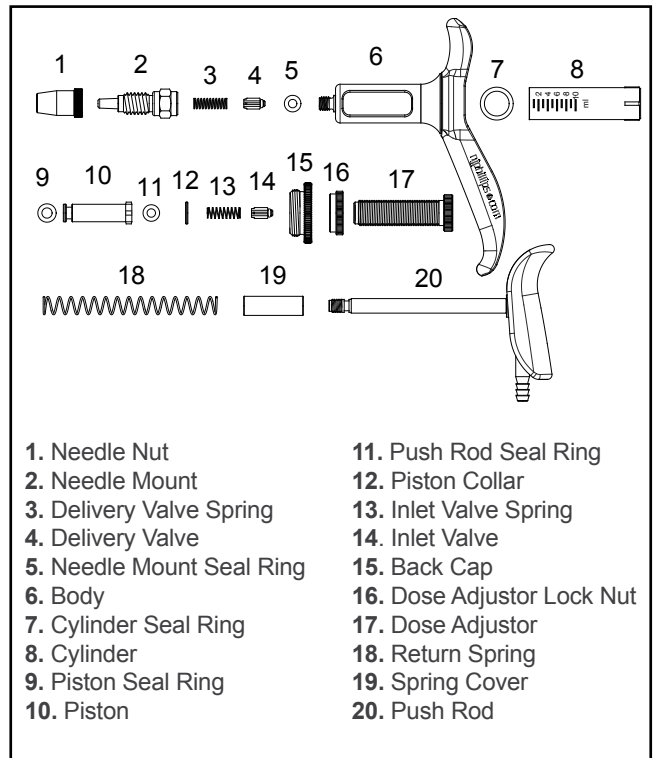
As lubricants may evaporate during storage it is advisable to apply NJ Phillips Lubricant to the piston. Unscrew the dose adjuster fully to reveal access to the rear of the piston. This procedure should be followed after sterilization.

After Use / When Changing Products

- Flush the instrument and connecting tube thoroughly with warm water and detergent mix.
- Re-flush with clean water.
- Lubricate instrument by disconnecting the feed tube and drawing a small quantity of NJ Phillips Lubricant through the inlet fitting.
- Occasionally check the piston seal ring for wear by removing the piston and push rod assembly. Take care not to damage the "O" ring groove when replacing the piston seal ring.



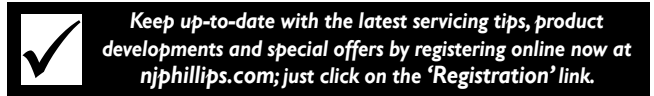
DO NOT store applicator or feed tube full of product. Clean as per the "Care and Maintenance" instructions.



PLEASE ORDER BY KIT AND PART NAME.

SPARE PARTS AVAILABLE:

KIT No.	PART NAME	ILLUSTRATION No.
WX749	Major Service Kit	3,4,5,7,8,9,11,13,14,18.
WX1118	Minor Service Kit	3,4,5,7,9,11,13,14,18.



njphillips.com

Our expertise is in your hands.

NJ PHILLIPS PTY LTD ABN 36 000 082 002
 ADDRESS: LOCKED BAG 8, GOSFORD, NSW 2250 AUSTRALIA
 TELEPHONE: +61 2 4340 2044 FAX: +61 2 4340 1991
 EMAIL: njp1@njphillips.com.au **MADE IN AUSTRALIA**

AS OUR POLICY IS ONE OF CONTINUOUS IMPROVEMENT THE MANUFACTURER RESERVES THE RIGHT TO ALTER THESE SPECIFICATIONS AT ANY TIME. ALL PRODUCTS PRODUCED BY NJ PHILLIPS PTY LIMITED, ARE IDENTIFIED BY A UNIQUE BATCH NUMBER. THIS IDENTIFICATION NUMBER IS AFFIXED TO THE PRODUCT TO ALLOW TRACEABILITY BY THE MANUFACTURER AND MUST NOT BE REMOVED IF PRODUCT INTEGRITY IS TO BE MAINTAINED.

PAS564 | QL750-R4

1ml VARIABLE VACCINATOR AUTO BMV MODEL 013



The 1ml Automatic BMV Model 013, is a precision instrument, with a high standard of finish, designed for mass treatment of livestock. Given normal care it will last indefinitely.

As components in this instrument may be affected by solvents in some commonly used farm chemicals no responsibility will be accepted by the manufacturer should the instrument be used with such products.

INSTRUCTIONS FOR USE

► Sterilisation Instructions

It is essential that this instrument, and a supply of needles, be thoroughly sterilized before each use. A common method of sterilization is as follows:

1. Turn applicator upside down and place the needle into clean water until draw-off needle is able to draw fluid into the cylinder.
2. Prime instrument and ensure instrument is full of water before sterilising.
3. Wrap instrument in a clean cloth, suspend the complete instrument and needles in boiling water for 10 – 20 minutes.



Suspending the instrument not only makes it easier to remove, but also prevents damage should the container boil dry.

Chemical sterilization with antiseptic solutions is sometimes practised and in such instances the recommendations of the chemical manufacturer should be followed. **DO NOT attempt to sterilize by autoclaving.**

4. Remove instrument from container, wrap dry cloth around the handle and pump dry.

► To set the dose

1. Slacken off dose adjustor lock nut (6).
2. Rotate threaded dose adjustor (4) until the front of the piston aligns with the required calibration on the cylinder.

3. Retighten dose adjustor lock nut (6).

► To Prime

1. Pre-pierce centre of rubber bung on vaccine pack/bottle.
2. Use appropriate bottle locking ring to suit your vaccine bottle or, when using the shroud, simply insert the bottle into the shroud and push down over needle until the bottle neck clicks into place.
3. Attach needle and set syringe to maximum dose.

4. Hold syringe vertically and squeeze to draw vaccine into cylinder. (Holding vertically will ensure all air is expelled.)

5. The syringe is ready for use when a small amount of vaccine appears at the needle tip.



Care must be taken to ensure the liquid does not come into contact with any part of the operators body. Chemicals may cause injury to the operator.

CARE AND MAINTENANCE

► After Use

1. Remove all traces of material from instrument by flushing thoroughly with a hot water detergent mix.
2. Follow with clean, warm water.



DO NOT store your applicator or feed tube full of product. Clean as per the "Care and Maintenance" instructions.

► To Replace Piston Seal Ring

1. Slacken off dose adjustor lock nut as far as possible.
2. Undo lock nut (6).
3. Hold needle mount and withdraw push rod cylinder assembly.
4. Remove cylinder before unscrewing piston.
5. Replace seal ring (19) taking care not to damage the groove.
6. Insert the piston back into cylinder and reassemble.

► Lubricating Instructions

If this instrument becomes sluggish in operation, lubrication is probably required behind the piston.

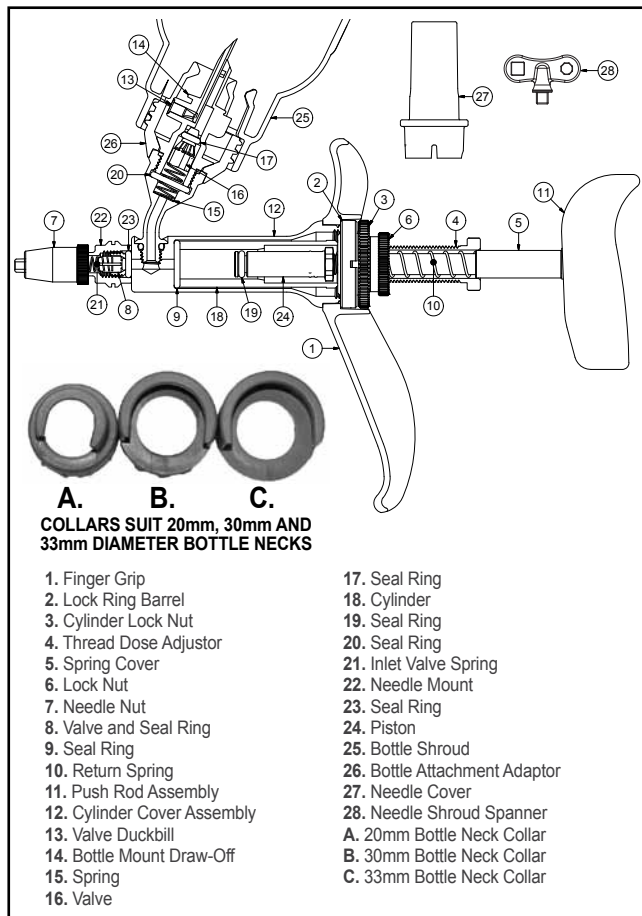
1. Slacken off dose adjustor lock nut as far as possible.
2. Undo lock nut (6).
3. Hold needle mount and withdraw push rod cylinder assembly.
4. Remove cylinder.
5. Apply a 4 or 5 drops of NJ Phillips Lubricant to the piston seal ring (19).
6. Insert the piston back into cylinder and reassemble.

► Service Inlet Valve & Draw-Off Needle

1. Use spanner provided (28) and insert into needle cover (27) locating in the square hole provided.
2. Unscrew draw-off needle to access inlet valve and spring and service or replace draw-off needle.



If this instrument becomes sluggish during use, lubricate both in front of and behind the piston with NJ Phillips Lubricant.



A. B. C.
COLLARS SUIT 20mm, 30mm AND 33mm DIAMETER BOTTLE NECKS

- | | |
|-----------------------------|-------------------------------|
| 1. Finger Grip | 17. Seal Ring |
| 2. Lock Ring Barrel | 18. Cylinder |
| 3. Cylinder Lock Nut | 19. Seal Ring |
| 4. Thread Dose Adjustor | 20. Seal Ring |
| 5. Spring Cover | 21. Inlet Valve Spring |
| 6. Lock Nut | 22. Needle Mount |
| 7. Needle Nut | 23. Seal Ring |
| 8. Valve and Seal Ring | 24. Piston |
| 9. Seal Ring | 25. Bottle Shroud |
| 10. Return Spring | 26. Bottle Attachment Adaptor |
| 11. Push Rod Assembly | 27. Needle Cover |
| 12. Cylinder Cover Assembly | 28. Needle Shroud Spanner |
| 13. Valve Duckbill | A. 20mm Bottle Neck Collar |
| 14. Bottle Mount Draw-Off | B. 30mm Bottle Neck Collar |
| 15. Spring | C. 33mm Bottle Neck Collar |
| 16. Valve | |

PLEASE ORDER BY KIT AND PART NAME

SPARE PARTS AVAILABLE:

KIT No.	PART NAME	ILLUSTRATION No.
WX749	Major Service Kit	8(x2),9,10,18,19,21(x2).
WX1118	Minor Service Kit	8(x2),9,10,19,21(x2),23.
WX1774	Bottle Attachment Kit	13,14,15,16,17,20,27,28,A,B,C.
600253	Shroud 20mm Diameter Bottle Neck	25.
WX1781	Conversion Kit (Feedtube Attachment Fitting)	Not Illustrated.

NJ PHILLIPS PTY LTD ABN 36 000 082 002
ADDRESS: LOCKED BAG 8, GOSFORD, NSW
2250 AUSTRALIA TELEPHONE: +61 2 4340 2044
FAX: +61 2 4340 1991 EMAIL: njp1@njphillips.com.au
MADE IN AUSTRALIA



njphillips.com
Our expertise is in your hands.

AS OUR POLICY IS ONE OF CONTINUOUS IMPROVEMENT THE MANUFACTURER RESERVES THE RIGHT TO ALTER THESE SPECIFICATIONS AT ANY TIME. ALL PRODUCTS PRODUCED BY NJ PHILLIPS PTY LIMITED, ARE IDENTIFIED BY A UNIQUE BATCH NUMBER. THIS IDENTIFICATION NUMBER IS AFFIXED TO THE PRODUCT TO ALLOW TRACEABILITY BY THE MANUFACTURER AND MUST NOT BE REMOVED IF PRODUCT INTEGRITY IS TO BE MAINTAINED.
PAS685 | QL826-R5



Keep up-to-date with the latest servicing tips, product developments and special offers by registering online now at njphillips.com; just click on the 'Registration' link.