



FACTORY LEDS

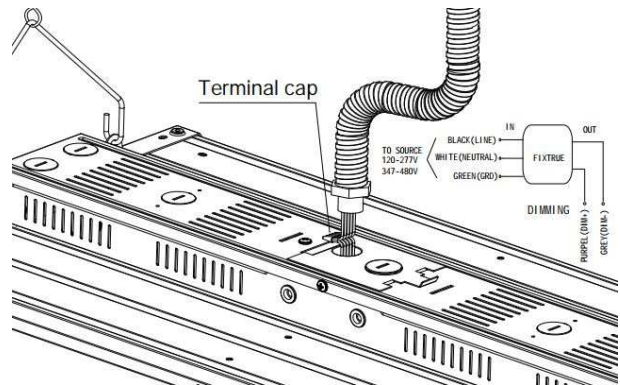
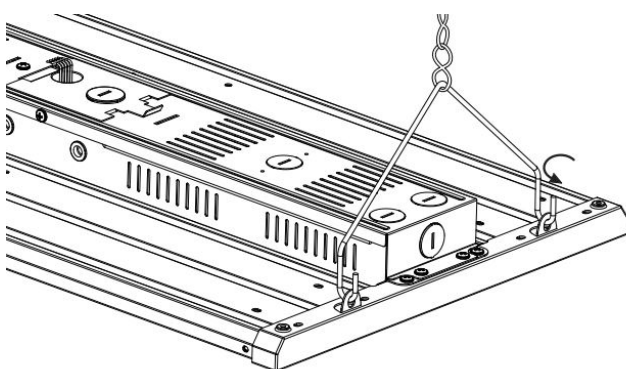
High Bay Linear TO Series



- ◆ IP20 Protection Rating
- ◆ CRI Ra80
- ◆ CCT 4000K, 5000K
- ◆ Dimming 0-10VDC
- ◆ 120- 277 VAC
- ◆ -20 to +50C Operating T.
- ◆ 10 years warranty

Part Number	HBL-15KLM110-TO	HBL-21KLM140-TO	HBL-25KLM165-TO	HBL-33KLM165-TO
Lumen Output	15,000 LM	21,000 LM	24,750 LM	33,000 LM
Wattage	100W	140W	165W	220W
Luminous Efficacy	150LM/W			
Size	12.6x23.8x2.2In	17.6x23.8x2.2In	17.6x23.8x2.2In	17.6x23.8x2.2In
Weight	9.6bs	12.8 lbs	12. lbs	12.8 lbs
Beam Angle	120°			
HID Equivalent	250-400W	400-600W	400-600W	700W
Certification	cULus, DLC, CE RoHS			

Ordering Info	Part Number	CCT	Angle
Default	HBL-XXXXXXX	5000K	120°
EG. HBL-21KLM140-5K-120		4000K	



Factory LED Lights Inc.

Head Office: 276 Sunset Point, Cochrane AB T4C0K9
www.factoryleds.com vic@factoryleds.com

(587)-333-1832 Canada
(214)-396-2232 USA

