

SMALL SIZE HIGH POWER



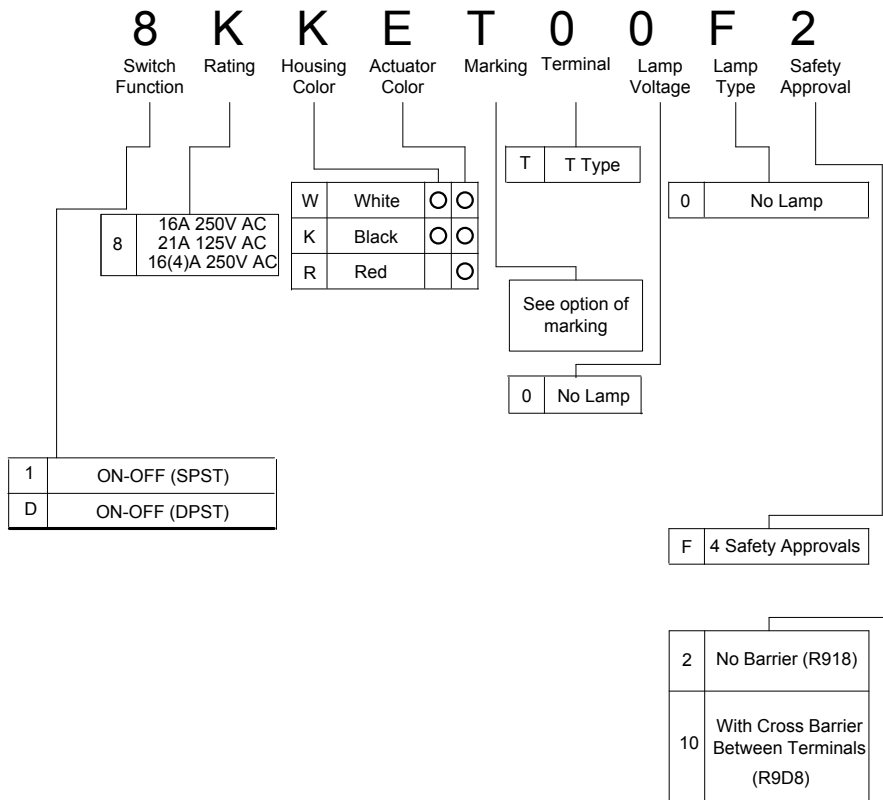
SPECIFICATION

- Electrical Rating : 21A 125VAC 16A 250VAC (UL)
16(4)A 250VAC (VDE)
- Mechanical life: Over 30000 cycles
- Electrical life: Over 10000 cycles
- Contact resistance: <math><20m\Omega</math>
- Insulation resistance: >1000M Ω
- High voltage resistance: >1500VAC 1 min.
- Ambient temperature: Terminal side -20 to +85 $^{\circ}$ C
Actuating side- 20 to +55 $^{\circ}$ C
- Atmospheric humidity: Max.85%
- Actuating force: 4 to 8N(depends on different switch function)
- Flammability: UL94V-2
- Storage temperature: -30 to +80 $^{\circ}$ C Max
- Temperature rise at the terminal: Max 30 $^{\circ}$ C (UL1054)
- Solder ability of terminal: Max 350 $^{\circ}$ C 3s

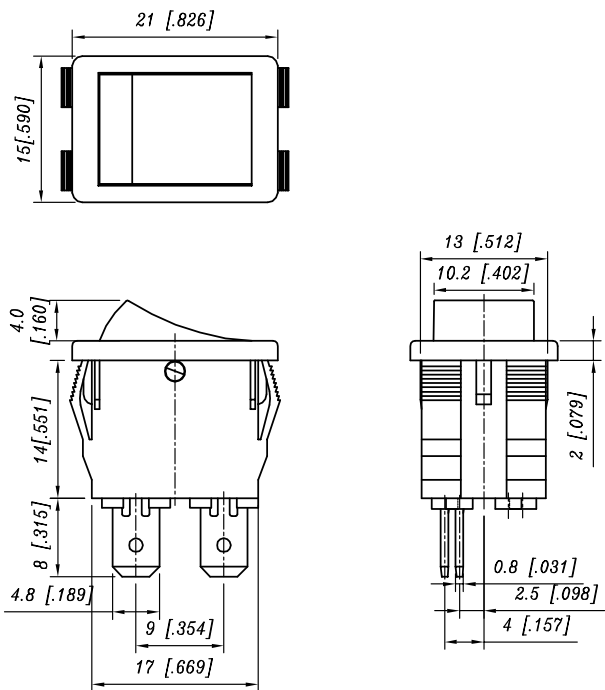
MATERIALS

- Housing: PA 66
- Rocker: PC & PA66
- Contact: Silver alloy
- Terminal: Brass silver plated
- Lamp: No lamp used
- Movable arm: Beryllium copper

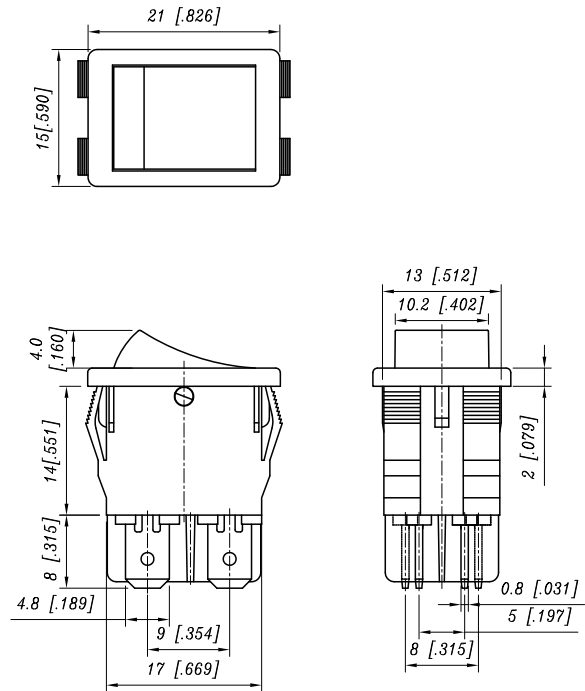
HOW TO ORDER



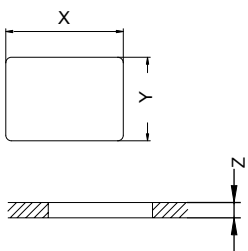
Dimension A



Dimension B



Panel cut out



| Z | Y | X |
|----------|-----------|-----------|
| 0.7~1.25 | 12.8~12.9 | 19.2~19.3 |
| 1.25~2.0 | 12.8~12.9 | 19.3~19.4 |
| 2.0~3.0 | 12.8~12.9 | 19.5~19.6 |