

INDUSTRIAL MOUSE

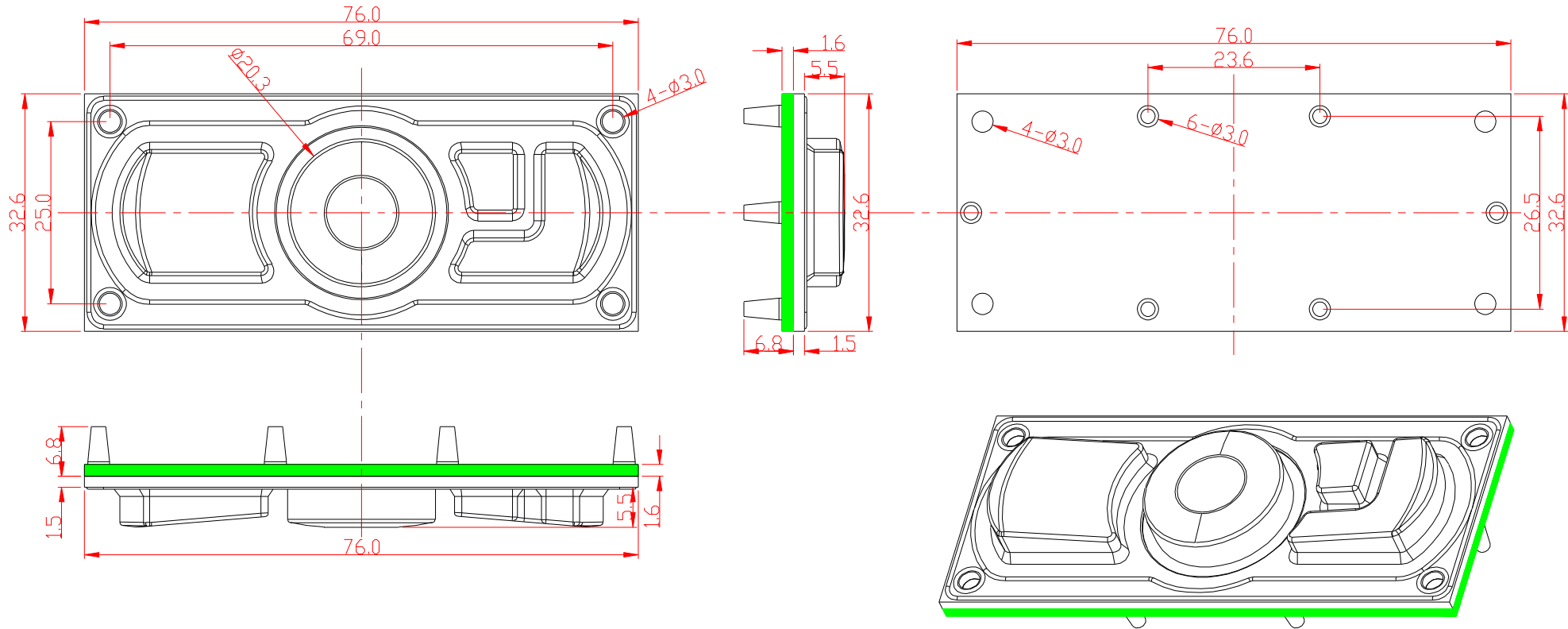
MECHANICAL DATA

Key: 3 keys + 1 Hula Point button
 Key top style: One silicone coat with rubber keys with very good tactile feeling.
 Switch life: more than 10 million of operations.
 Cable Length: 2.0m or customized cable
 G.W.: 0.035KGs
 Dimensions: 76.0mm x 32.6mm x 8.6mm (front p)

ELECTRICAL DATA

Supply Voltage: +5V DC +/-5%
 Current Rating: 15mA

Power: 1.0W
 Lifespan > 3 years
 Switch Contact Material: Carbon-on-Gold key switch technology with gold PCB.
 Interface: USB/PS2.
 OS: All Windows, Linux, Unix, Mac OSX, Vxworks, Android, (U-cos--To be confirmed)



ENVIRONMENTAL ADAPTABILITY
 Operating temperature: -25°C to +60°C

Storage temperature: -30°C to +70°C
 Humidity: 100%
 Atmospheric pressure: 60-106Kpa

Part Number: M76HP-3

DATE

14.12.2016

CHANGES

Original

REV

01

SCALE: 1 : 1

Designer: L C Y

Audit: Tony Deng