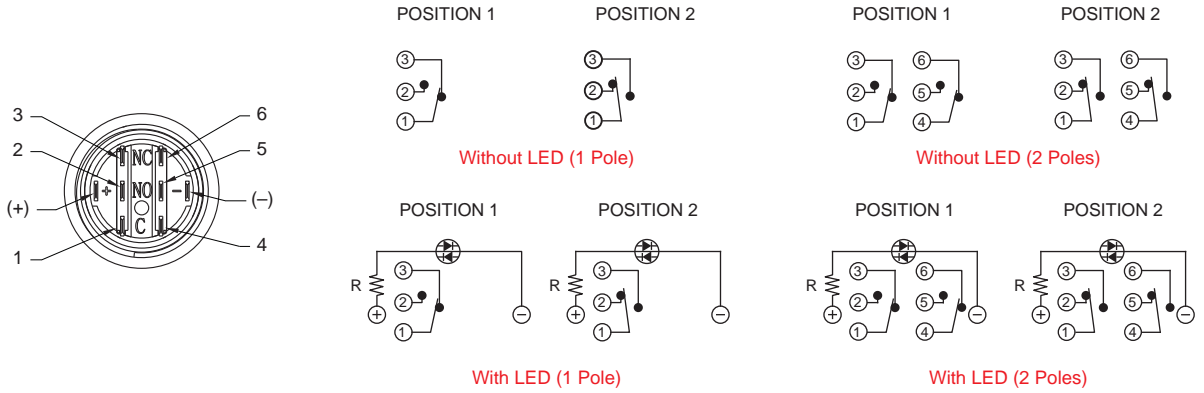
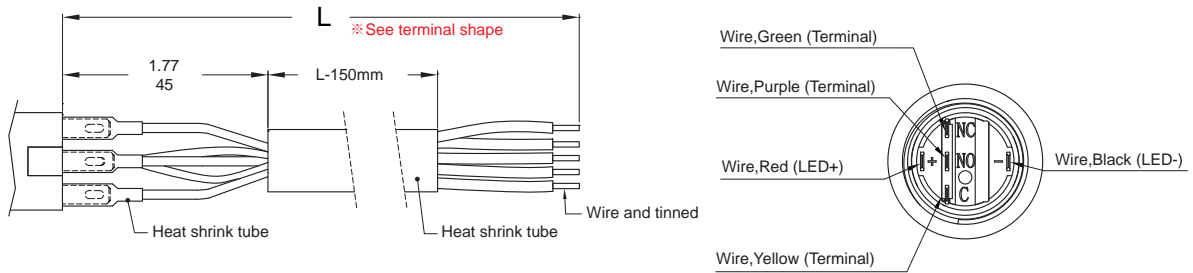


CIRCUIT



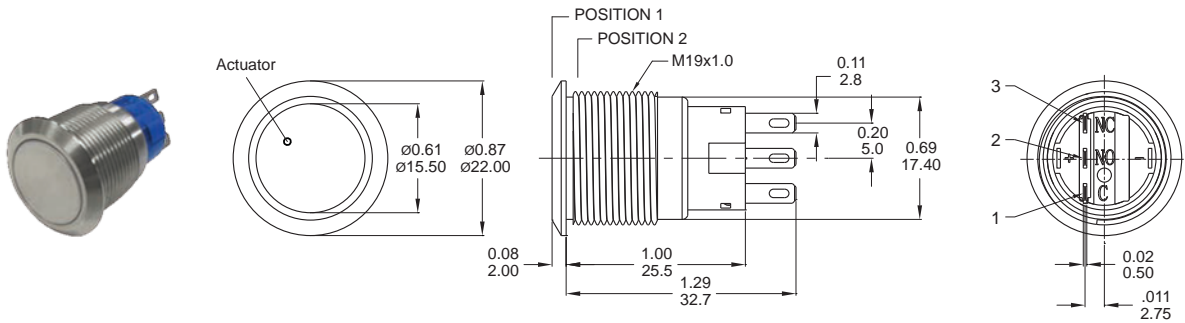
Wire (Flying lead Terminals)

※ Wire=UL 3385, 18AWG, 300V (Black/Yellow/Green/Red/Purple)



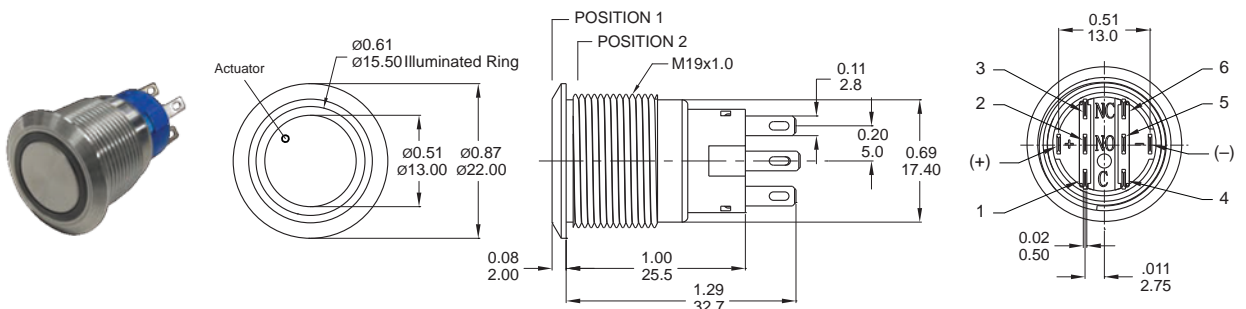
LIGHT TYPE

0 Without LED



Part No. Shown : MPB19-A0F1□0-JQ

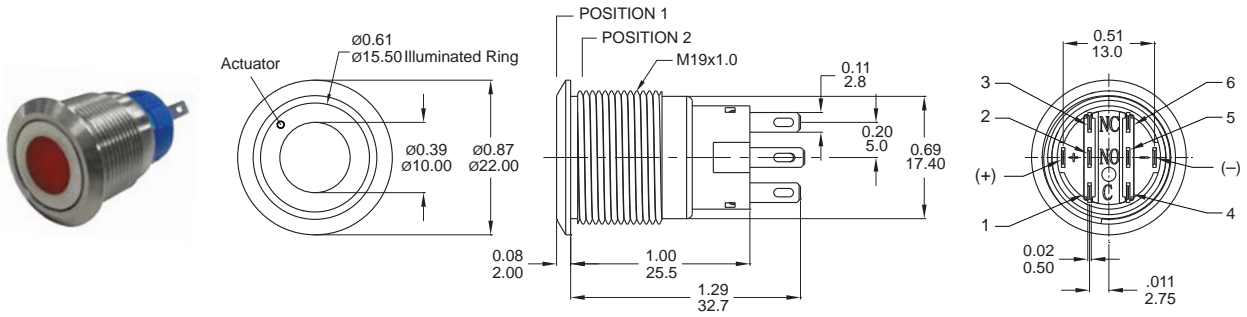
R Ring (Fixed)



Part No. Shown : MPB19-A0F2□R-□□-JQ

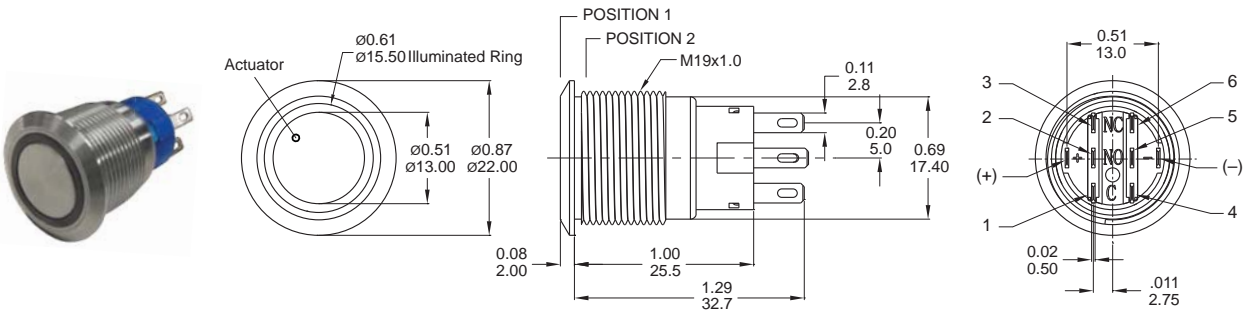
LIGHT TYPE

D Spot



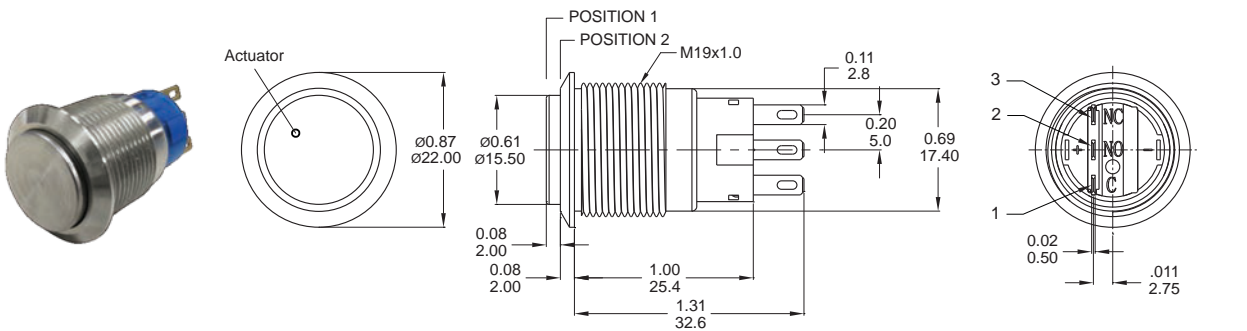
Part No. Shown : MPB19-A0F2□D-□□-JQ

E Ring (Moveable)



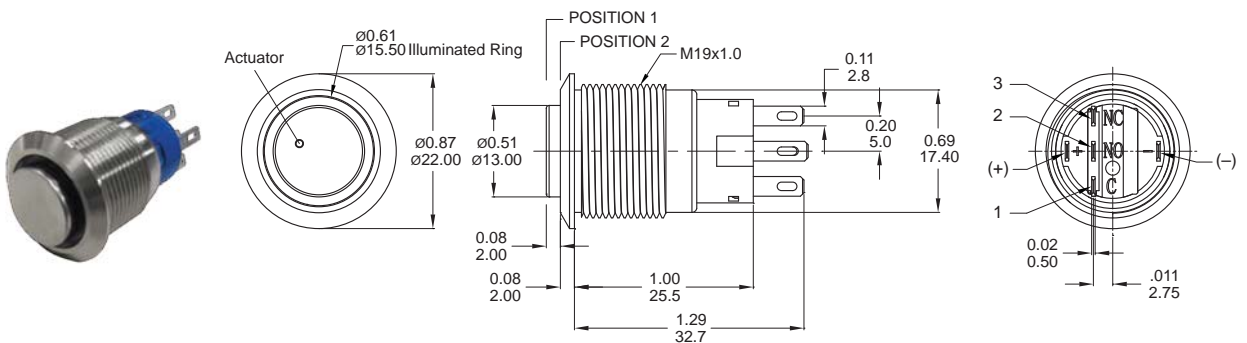
Part No. Shown : MPB19-A0F2□E-□□-JQ

0 Without LED



Part No. Shown : MPB19-A0H1□0-JQ

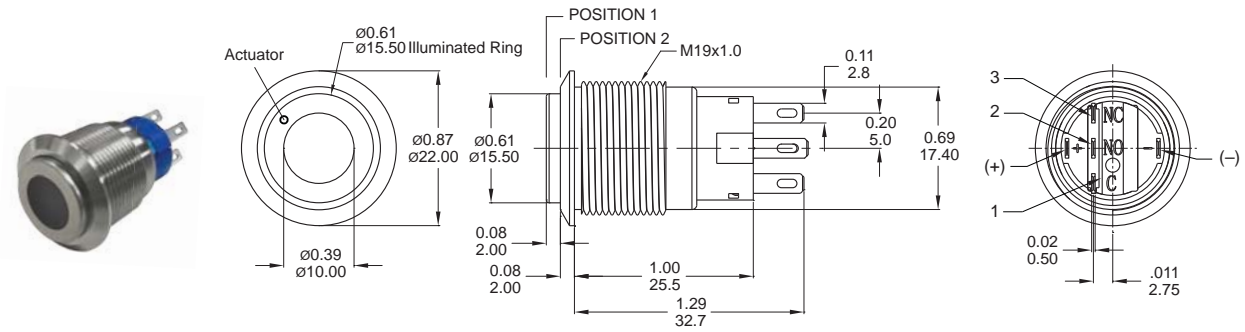
R Ring (Fixed)



Part No. Shown : MPB19-A0H1□R-□□-JQ

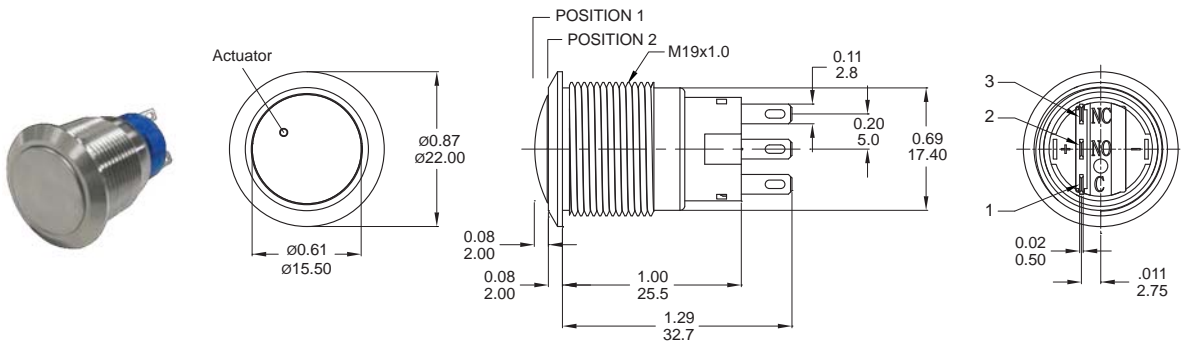
LIGHT TYPE

D Spot



Part No. Shown : MPB19-A0H1□D-□□-JQ

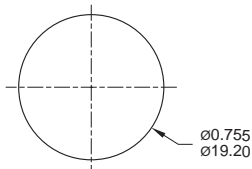
O Without LED



Part No. Shown : MPB19-A0R1□O-JQ

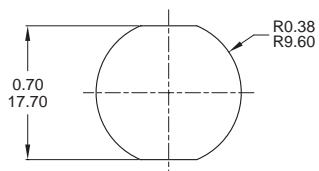
PANEL CUTOUT / HARDWARE

O/R/D/E Light Type



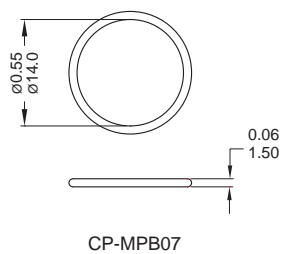
MAX.PANEL THICKNESS: 10.0mm[0.39]

P Light Type

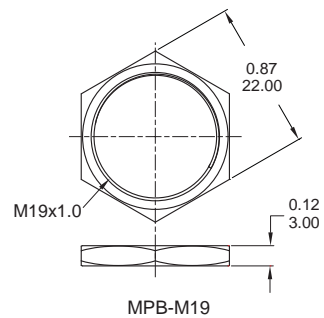


MAX.PANEL THICKNESS:10.0mm[0.394]

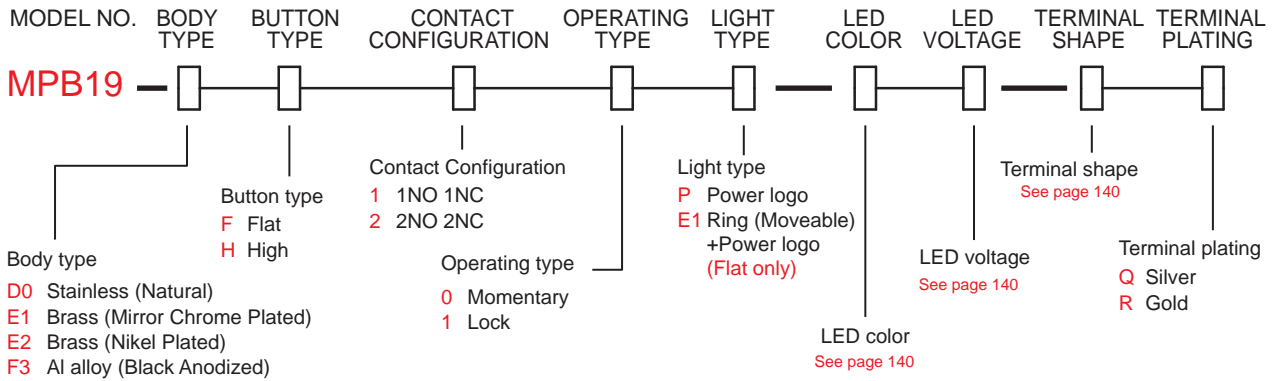
O-RING



M19 NUT

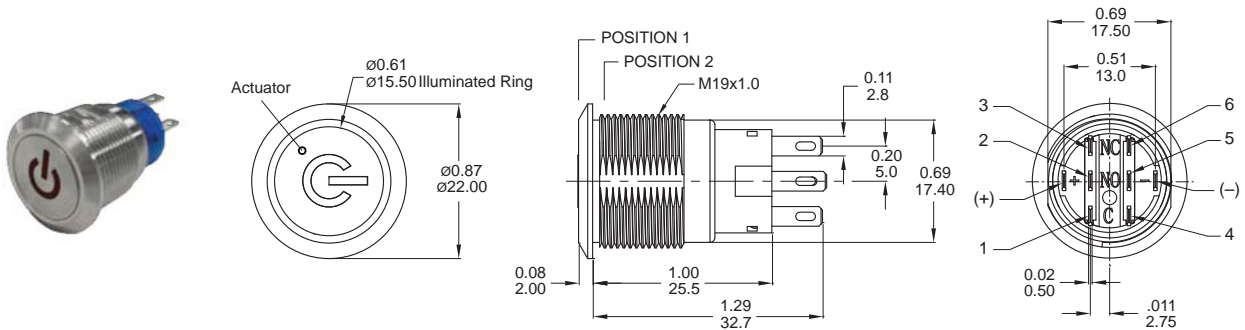


HOW TO ORDER



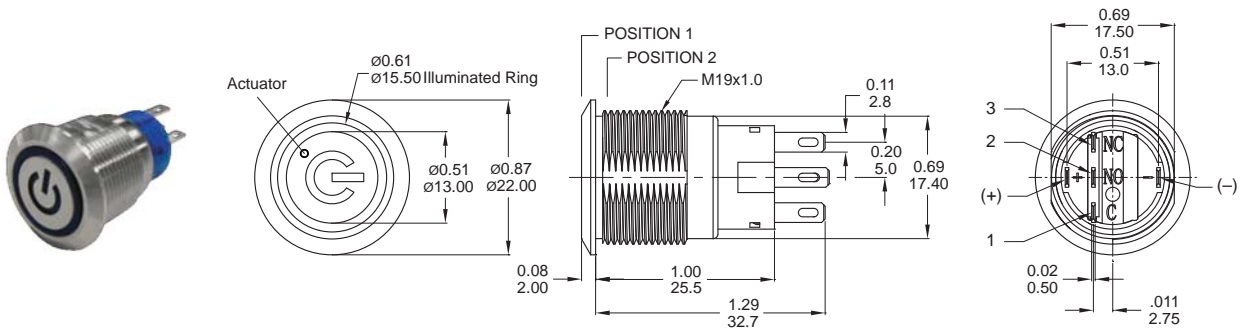
LIGHT TYPE

P Power logo



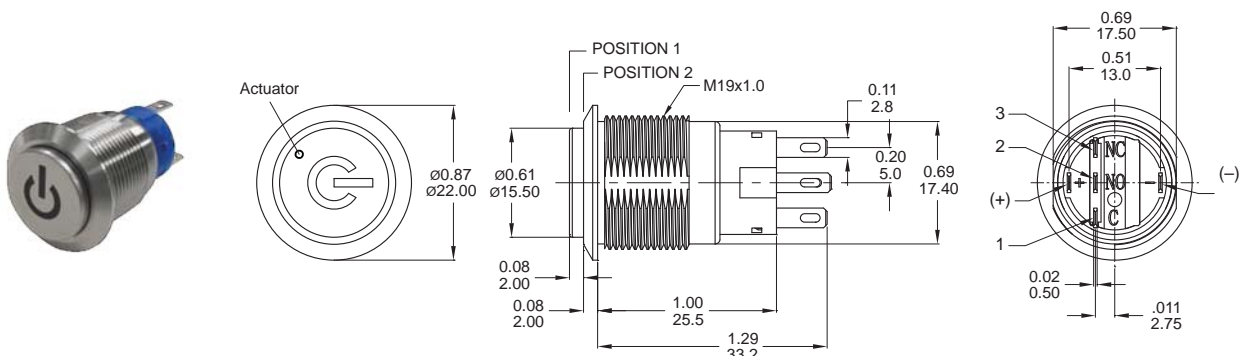
Part No. Shown : MPB19-D0F2□P-□□-JQ

E1 Ring (Moveable)+Power logo



Part No. Shown : MPB19-D0F1□E1-□□-JQ

P Power logo



Part No. Shown : MPB19-D0H1□P-□□-JQ