

Heavy duty sealed rocker switches, up to 20(8)A 125/250VAC, 16A 30VDC μ 40T85/5, UL61058-1 approved

HEAVY DUTY SEALED ROCKER SWITCHES, Multi Circuit, Various Actuator type, UP TO 20(8)A 125/250VAC~ μ 40T85/55; 16A 30VDC μ 40T85/55 Max.

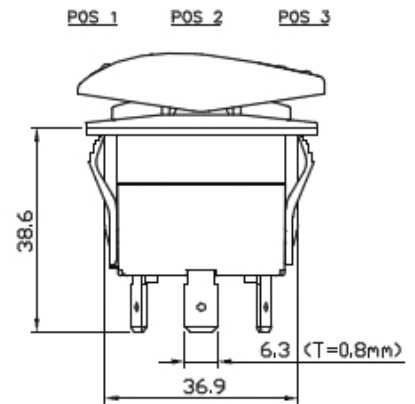
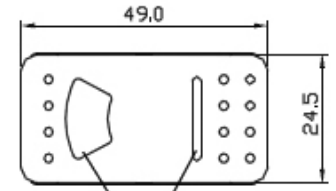
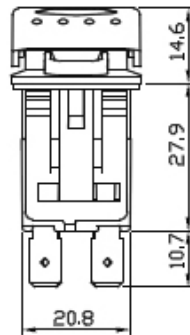
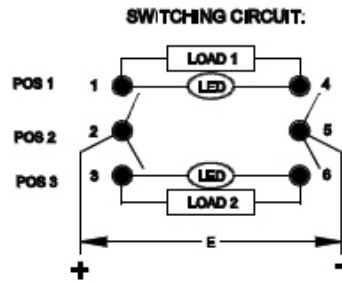
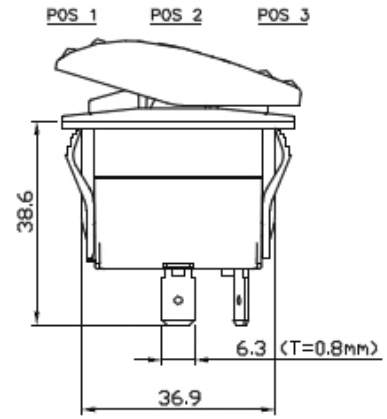
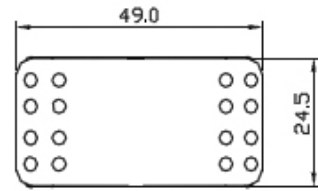
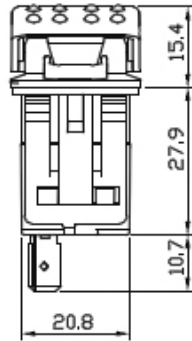


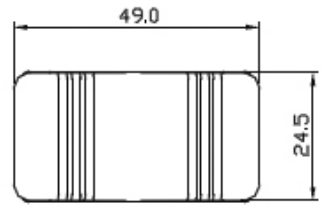
Feature

- Safety approved internationally by cURus in North America, ENEC15 in Europe.
- 1, 2 pole circuitry; 2 and 3 positions, maintained and momentary action
- Optional actuator type and marking.
- Environment-proof sealing, confirming to IP67 level
- Quick-connect, solder and screwed terminals
- Panel accessories as optional parts
- Application includes automotive, marine, agriculture machine and more.
- A wide range of temperature rating, confirming to μ 40T85/55

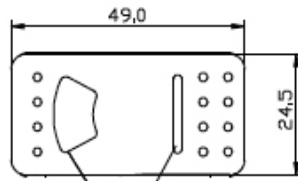
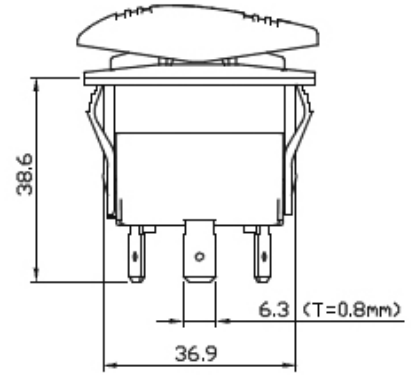
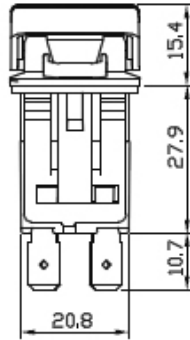
Specification

- 16(8)A 125/250V, $\sim\mu$ T55, $\sim\mu$ 40T85/55, 1E4, 50/60Hz (cURus, ENEC15)
- 20(8)A 125/250V, $\sim\mu$ T55, $\sim\mu$ 40T85/55, 1E4, 50/60Hz (cURus, ENEC15)
- 16A DC, 6V, 12V, 14V, 18V, 24V, 30V, μ T55, μ 40T85/55, 1E4, 50/60Hz (cURus, ENEC15)
- Electrical life: 6,000 cycles (cURus), 10,000 cycles (ENEC15)
- Dielectric strength: 1,500 VAC for 1 minute
- Initial contact resistance: 20m Ohms max.
- Insulation resistance: 100M Ohms min, at 500VDC





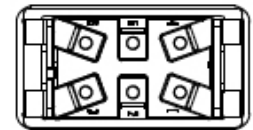
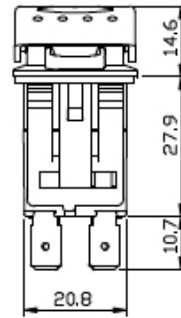
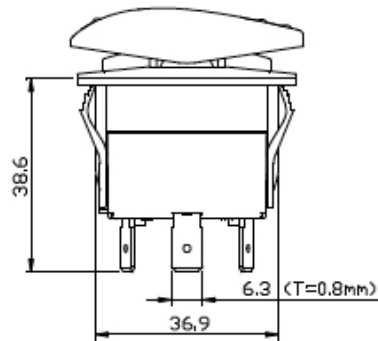
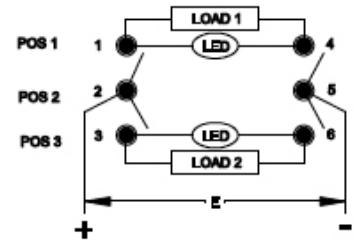
POS 1 POS 2 POS 3



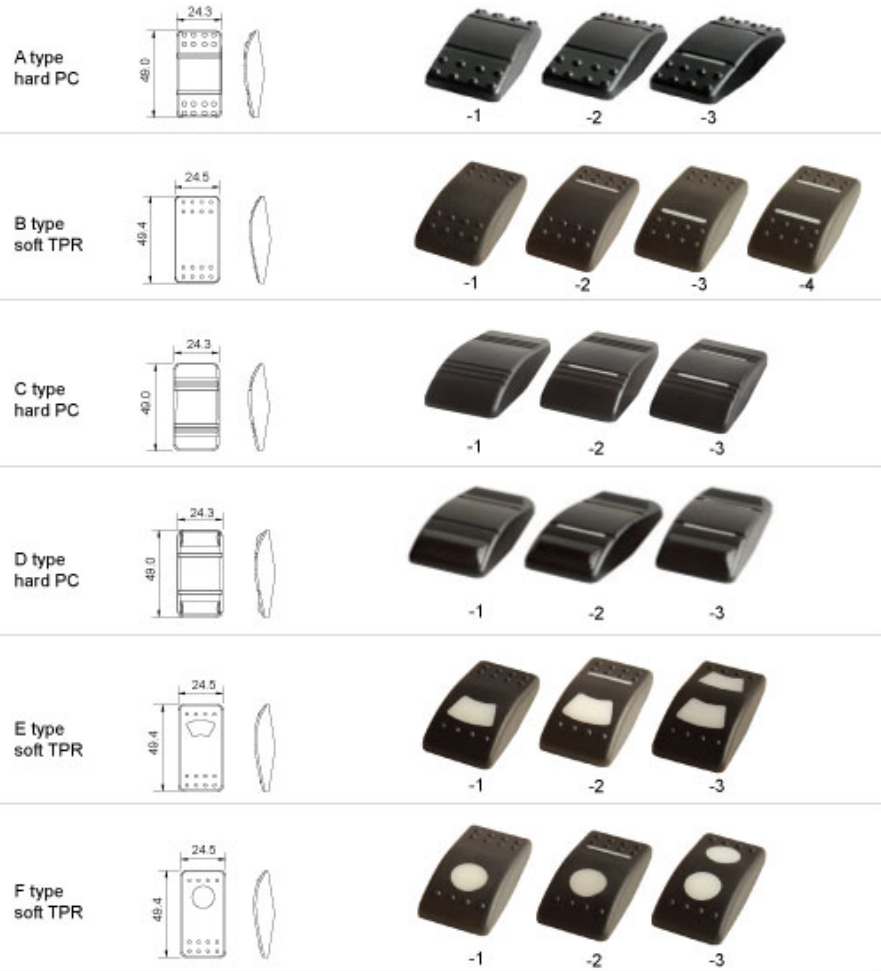
Red Lens

POS 1 POS 2 POS 3

SWITCHING CIRCUIT:



ACTUATOR TYPE

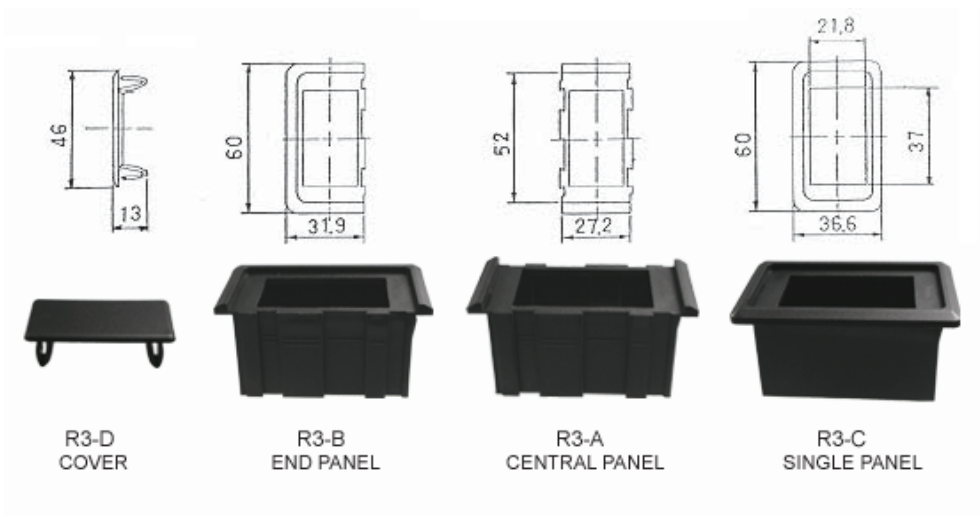


~ACCESSORIES~

FOR USB CHARGING

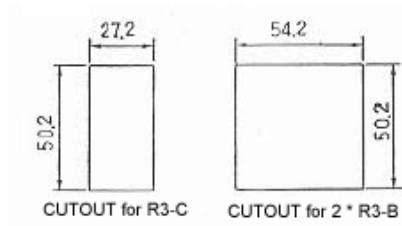


FOR PANEL MOUNTING



PANEL CUTOUT:

Panel accessories photo:



WATERPROOF BOOT & ACTUATOR REMOVAL TOOL

