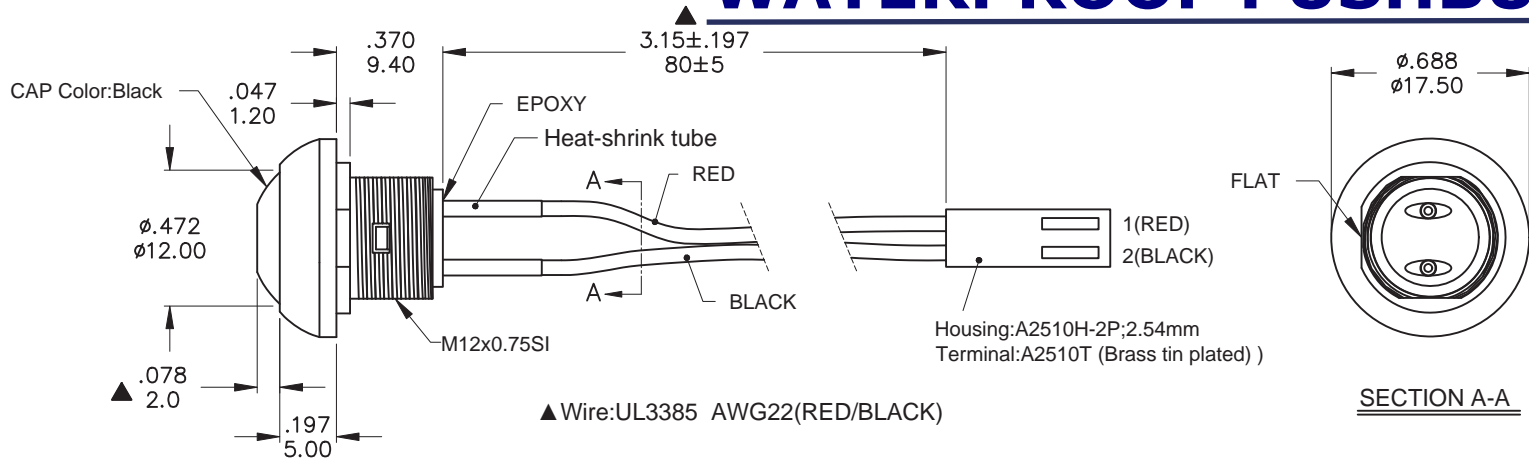


# WATERPROOF PUSHBUTTON



Model No.	POS.1	POS.2
PAS6	OFF	MOM
Term. Comm.	OPEN	
SCHEMATIC		

## SWITCH FUNCTION

	PART NO.	PART NAME	Q'TY
1		M12 X 0.75SI NUTS	1
2		LOCKING WASHER	1
3		EVA WASHER	1

## SPECIFICATIONS

**Max. current/voltage rating with resistive load:**

400mA 32VAC - 100 mA 50VDC - 125 mA 125VAC.

**INITIAL CONTACT RESISTANCE:** 100 mΩ max.

**Note:** When the switches with the wire assembly, we only test the electric conduction and will not test the contact resistance on the wire.

**INSULATION RESISTANCE:** 1 GΩ min. at 500VDC.

**DIELECTRIC STRENGTH:** 1,000 VAC rms.

**ELECTRICAL LIFE AT FULL LOAD:** 500,000 cycles.

**PANEL THICKNESS:** 1.5 mm (.059) min. - 4 mm (.157) max.

**TOTAL TRAVEL:** 1.5 mm (.059).

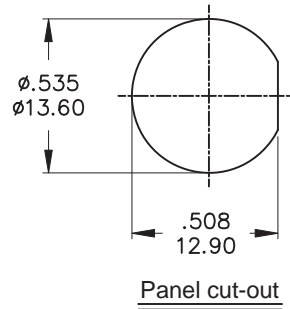
**OPERATING FORCE:** 2N~5N.

**CONTACT BOUNCE:** 10 ms.

**MECHANICAL LIFE:** 1,000,000 cycles.

**TORQUE:** 0.5 Nm max. applied to nut.

**SOLDERING:** 350°C max. for 5 seconds.



## MATERIALS

**CASE:** Diallyl phthalate (DAP)(UL94v-0).

**CAP:** Polyamide 6/6.

**BUSHING:** Polyamide 6/6.

**TERMINAL/CONTACTS:** Gold over silver plated.

**RoHS & Lead Free**

SCALE (比例) : 3 : 2

TOLERANCE (公差) :

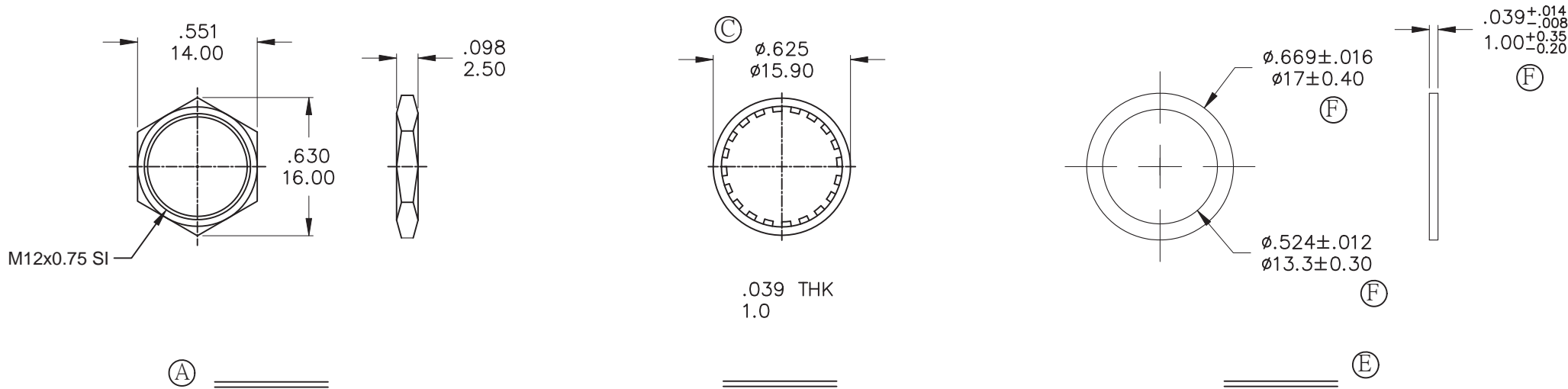
0.00 mm ± 0.25mm

0.0 mm ± 0.40mm

ANGULAR : ± 5°

TITLE 圖名	Sub - Miniature Pushbutton Switches			SIZE 圖紙	A4
DWG NO. 圖號				UNIT 單位	inch mm
REV. 版本	A	DATE 日期	SEP - 02 - 2016	SHEET 張數	1 of 1
CHECKED BY 審核				DRAWN BY 製圖	

	符號	原尺寸	修改後尺寸	變更日期
1	Ⓐ			
2	Ⓑ			
3	Ⓒ			
4	Ⓓ			
5	Ⓔ			



	PART NO.	PART NAME	Q'TY
1		M12x0.75 SI NUTS	1
2		LOCKING WASHER	1
3		EVA WASHER	1

④

	符號	原尺寸	修改後尺寸	變更日期
1	①	MNU- PA01	MNU- PA03	APR-16-2009
2	②	15.06(.593)	15.75(.620)	JUN-14-2010
3	③		參照P110615001	JUN-16-2011
4	④	RUBBER	EVA	AUG-27-2015
5	⑤	依據N1402修訂料號原MSU-PA01改為FSU-PA01		MAR-17-2016
6	⑥	依據N1607修訂FSU-PA01尺寸公差		MAR-23-2016

SCALE (比例) : 3 : 2

TOLERANCE (公差) :  
 0.00 mm ± 0.25mm  
 0.0 mm ± 0.40mm  
 ANGULAR : ± 5°

TITLE		HARDWARE			SIZE
圖名					圖紙
DWG NO.					UNIT
圖號					單位
REV.	G	DATE	MAY- 21 - 2008	SHEET	1 of 1
版本		日期		張數	
CHECKED BY		DRAWN BY			
審核		製圖			