

OPTICAL HIGH-SPEED

Active Optical Cable

TeraWire™ DisplayPort Optical Cable fully takes advantage of the high transmission bandwidth, low power consumption, and low EMI. The optical cable is suitable for high-speed, high-quality, long-distance and sensitive applications or systems such as hospital equipment and wireless device.



Applications

Digital signage
Surveillance
Home theatre
Conference room
Control centers
Auditorium
Medical imaging
Stadium

- ❑ Supports Ultra HD (2160p@60Hz)
- ❑ Distances up to 100m
- ❑ DisplayPort 1.2 compliant
- ❑ Plug and Play
- ❑ UL certified (CMP-0F)
- ❑ No external power required



Source



Sink

Ordering Information

C DA LL 4 P4 000 X YY

Length

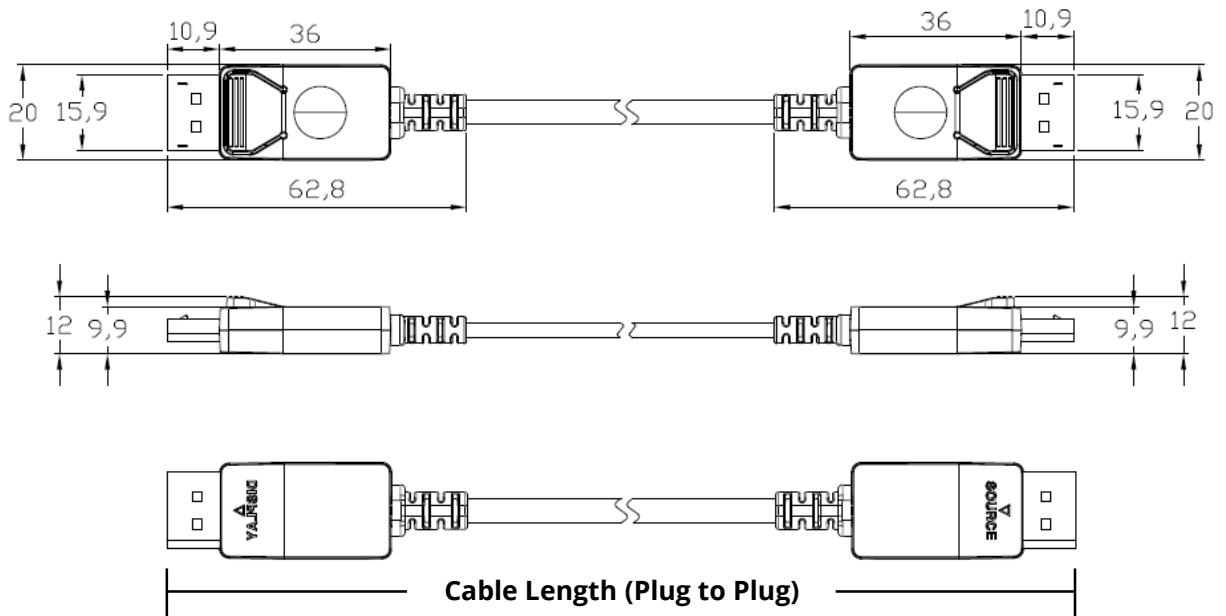
010: 10m
050: 50m
100: 100m

Customer ID

Cable Color

A: Aqua
B: Black
W: White

Physical Dimension



Unit: mm

Specifications

Parameter		Value	Unit
Supported Resolution		2160p @ 60Hz	
Data Rate (per lane)		Up to 5.4	Gbps
Operating Temperature		0 ~ 50	°C
Cable Type		Hybrid	
Cable Length		Up to 100m	m
Cable Dimension		5.1 x 3.1	mm
Connector		DisplayPort 20-pin (Male)	
Pull Strength		200	N
Power Consumption	51 ~ 100m	660	mW
	21 ~ 50m	500	
	< 20m	330	