

# INDUSTRIAL KEYBOARD

## MECHANICAL DATA

Number of Keys: 108  
 Key switch Technology: OMRON switch technology with short stroke 0.45mm for stable and accurate data input.

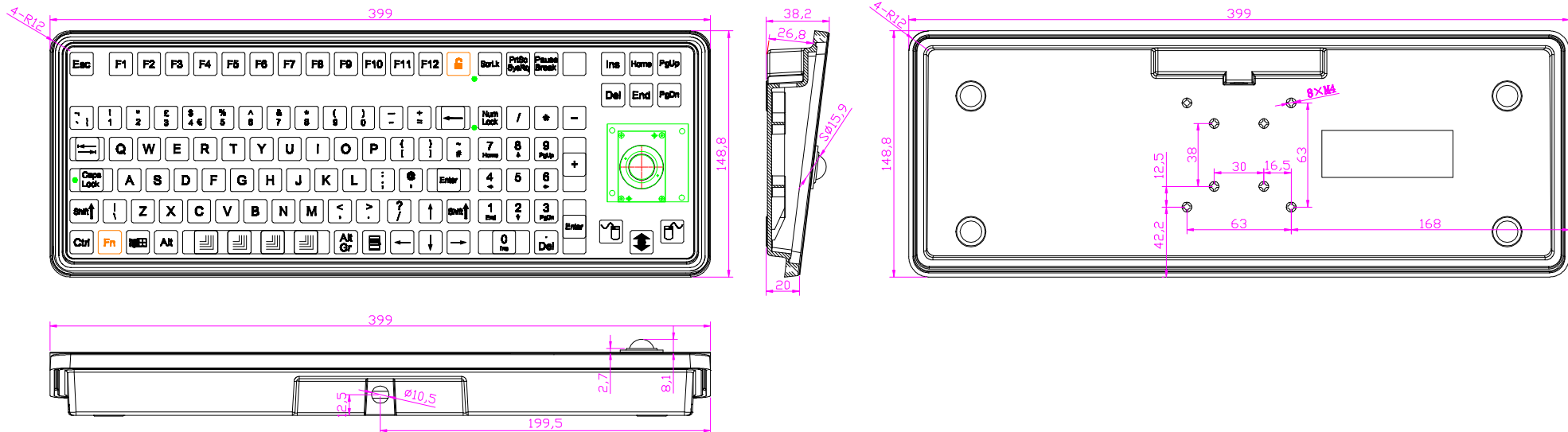
Actuation Force: 1.0N for key 13.0mm x 13.0mm (press point)  
 Key Travel: 0.45mm  
 Key switch Lifetime: 3 mil. operations  
 Protection Level: IP68, NEMA 4x  
 Mounting Type: stand alone mounting desk top.  
 Operating Temperature: -20 °C to +50 °C  
 Colors: 4 (Blue, white, grey, black)  
 G.W.: 1.40KGs  
 Key Dimensions (print area): 13.0mm x 13.0mm  
 Dimensions: 396.0mm x 150.0mm x 27.0mm (L x W x H)

## ELECTRICAL DATA

Supply Voltage: +5V DC +/- 5%  
 Current Rating: appr. 120mA  
 EMC Standard: It is compliance with the council IEC 61000-4-2:2008 IEC 61000-4-3:2006+A1:2007+A2:2010 IEC 61000-4-4:2004

EMI: EN 55022: 2010

EMS: EN 55024:2010  
 Lifespan > 3 years  
 Interface: PS2, USB available.  
 OS: All Windows, Linux, Unix, Mac OSX, Vxworks, Android, (U-cos--To be confirmed).



RELIABILITY  
 RoHS , CE, FCC, ESD  
 Protection Level: IP68  
 Key Lifespan > 3 million actuations  
 Touchpad lifespan > 10 million of times  
 MTBF > 50000H

Part Number: KP-FN-DT-SW

DATE  
 15.01.2018

CHANGES  
 Original

REV  
 01

SCALE: 1 : 1

Designer:L C Y Audit:Tony Deng