

D38999 MPO CONNECTOR

J599/D38999 MPO/MTP outdoor waterproof optical fiber connector with J599 shell and MPO/MTP optical fiber connector, joints with three thread fast connection, and adapt with Five keys locate at the same time, blind insertion and error proofing in and anti vibration function, connector made of stainless steel 316L material, contact parts of high density, anti electromagnetic shielding function, fiber optic assemblies detachable, convenient installation, small connector loss, high reliability, is waterproof, dust proof, anti - corrosive characteristics. Mainly used for: marine equipment communications, airborne equipment, acid and alkali, hydrochloric acid, wet and other harsh environment, military communications and outdoor adverse environmental communications. J599III/D38999 Series connector can provide 8-24C fiber connection.

Specification

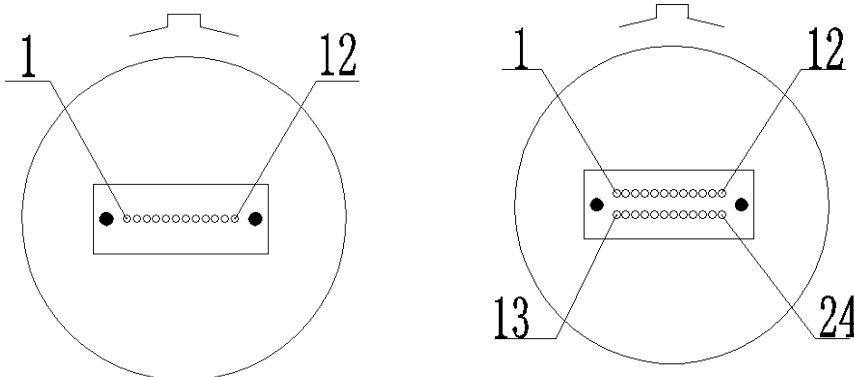
Insertion Loss	≤0.75dB (SM), ≤0.6dB (MM)	
Return Loss	SM	≥50dB
Mechanical	Plug	≤500N (Main Cable)
	Socket	≤50N (Branch Cable)
Fiber	SM/MM	8C, 12C or 24C
Operation Temp.	-40℃ ~ 85℃	
IP Rate	IP67	

Cable OD.	7.0 mm
Outer Sheath	TPU or LSZH or Hytrel
Anti-push Unit	KEVLAR
Fiber Type	9/125、50/125、62.5/125
Fiber Outer	9/125/250um fiber
Tensile Strength	Short term: 600N/ Long term: 200N

Ordering Information

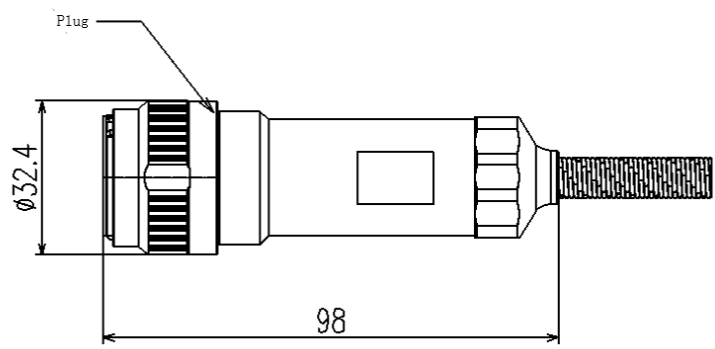
Basic Series	D38999MPO/	26	K	D	12	B1	N
Shell Type	26—Plug; 20—Socket						
Plating	W -Aluminum Alloy, Olive green cadmium plating F -Aluminum Alloy, Electroless nickel plating K -Stainless Steel Passive						
Shell No.	15						
Index No.	D						
Configuration	See the Configuration for detail						
Contact Type	A1-MT Contacts with Pin (Male) (MM fiber) (Applied for Socket); B1-MT Contacts without Pin (Female) (MM fiber) (Applied for Plug);						
Polarization	N-Normal; A、B、C、D、E-alternative						

D38999 MPO Configuration

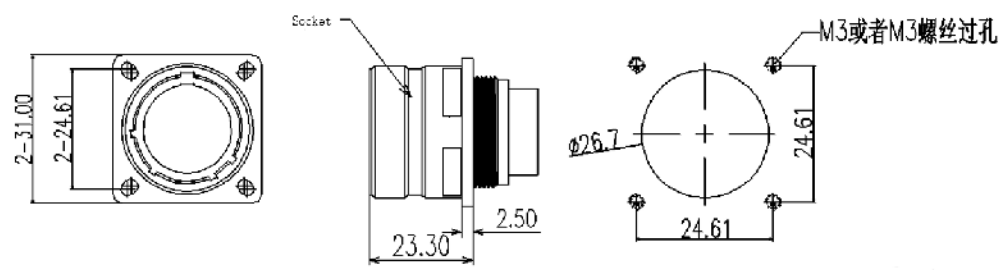


Shell Size#15 D

D38999-MPO Plug Size

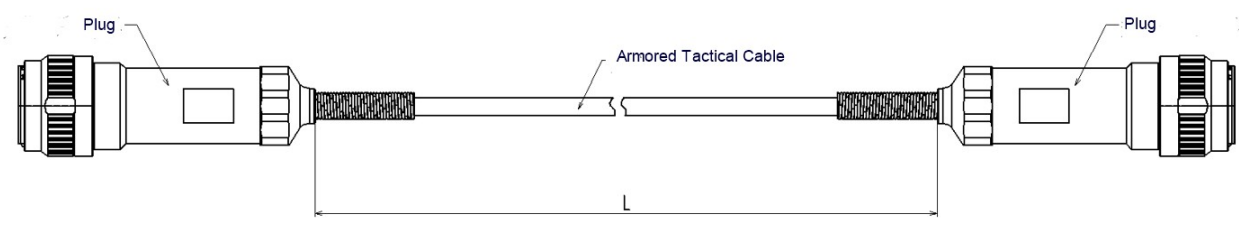


D38999-MPO Socket Size



D38999 MPO Assembly Ordering Info:

D38999 MPO Plug Assembly Drawing

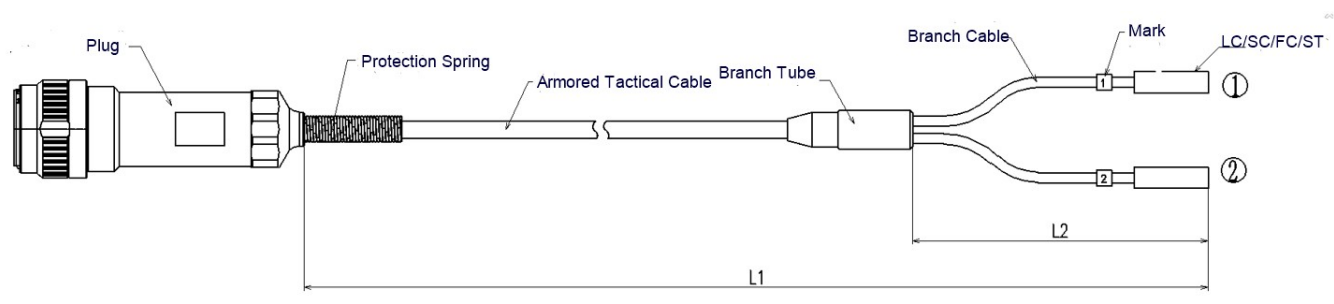


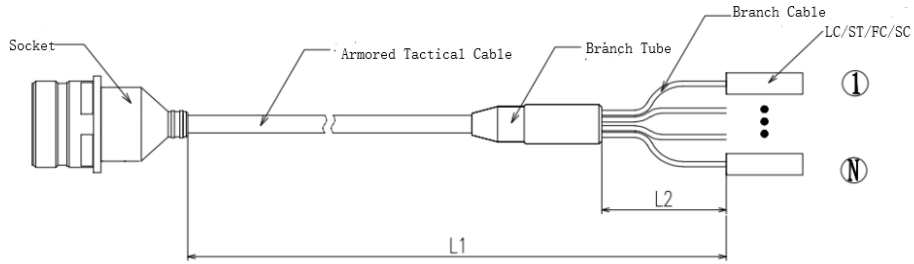
[Ordering info example]

(1) D38999MPO/26KD12B1N - D38999MPO/26KD12B1N -L100m-A1a7.0

Both end is D38999MPO/26KD12B1N Plug, length is 100m 7.0mm 12core A1a Tactical Armored Optical Cable

D38999 MPO Plug/Socket -LC/SC/FC/ST Drawing





[Ordering info example]

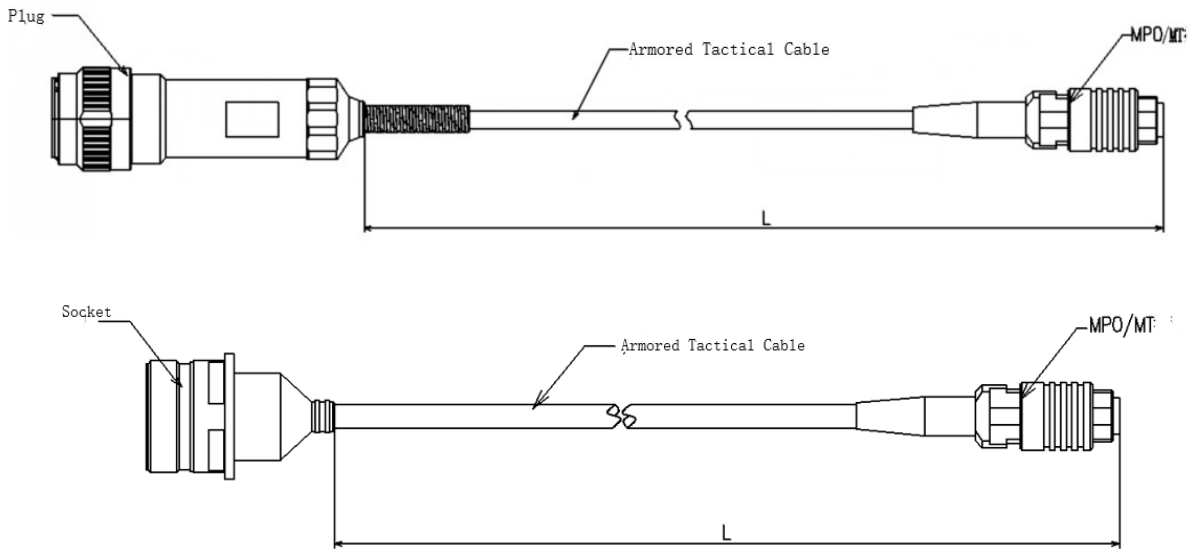
- (1) D38999MPO/26KD12B1N -12LC-L3/0.3m-A1a1.8

End A is D38999MPO/26KD12B1N Plug, End B is 12LC connector, length is 3/0.3m, A1a armored tactical branch cable, O.D. is 1.8mm

- (2) D38999MPO/20KD12A1N -12LC-L3/0.3m-A1a1.8

End A is D38999MPO/20KD12A1N socket, End B is 12LC connector, length is 3/0.3m, A1a armored tactical branch cable, O.D. is 1.8mm

D38999 MPO Plug/ Socket to MPO/ MTP Drawing



Notes: Type A / Type B / Type C polarization Optional

[Ordering info example]

- (1) D38999MPO/26KD12B1N -1MPO12(M)-L1m-A1a-A

End A is D38999MPO/26KD12B1N Plug, End B is 1*MPO 12C Male connector, ribbon fiber length is 1m, A1a Fiber, Type A polarization.

- (2) D38999MPO/26KD12B1N -1MPO12(F)-L1m-A1a-B

End A is D38999MPO/26KD12B1N Plug, End B is 1*MPO 12C Female connector, ribbon fiber length is 1m A1a Fiber, Type B polarization.