

MICRO MPO CONNECTOR

Date: Aug. 07, 2018

GET's Micro MPO Connector is a unique design for ribbons and high density applications. It's the Shortest MPO Connector in the market, its length only 18.1mm. Its Polarity can be changed without opening the housing or using any special tool. GET's Micro MPO Connector is fully compliant with IEC Standard 61754-7 and TIA 604-5 – Type MPO.



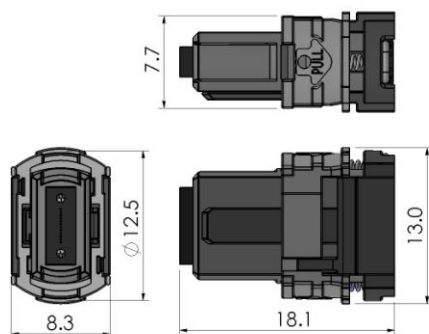
Features:

- ◇ Micro MPO Connector patent: Taiwan Patent No.: M561952 / China: pending
- ◇ Micro MPO push-pull tab patent:
Taiwan Patent No.: M539725 / China Patent No.: ZL 2017 2 0104614.3
- ◇ Total length **18.1mm** for Bare Ribbon Fiber.
- ◇ Diversity - Green, Beige, Aqua, Yellow. Black and Magenta are available upon request.
- ◇ Push-pull Tab available.
- ◇ IEC 61754-7 and TIA/EIA 604-5 Compliant for MPO/MTP® interfaces.
- ◇ Telcordia GR-1435-Core Compliant.
- ◇ RoHS and Reach Compliant.

Applications:

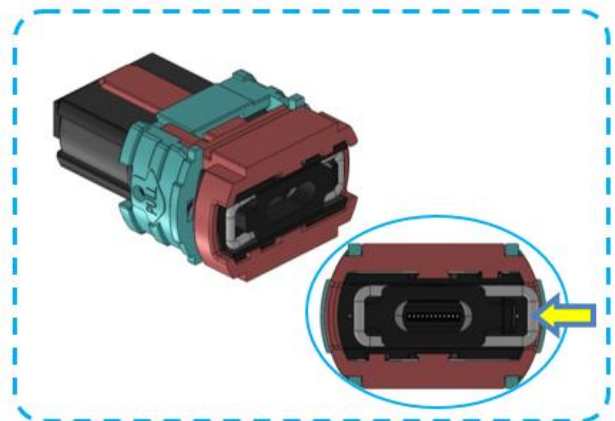
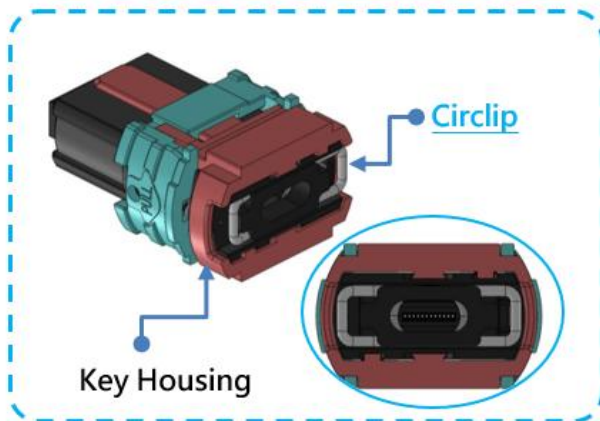
- ◇ Optical Switching Interframe connections
- ◇ High Density Rack applications
- ◇ Data Center applications

Diagram:

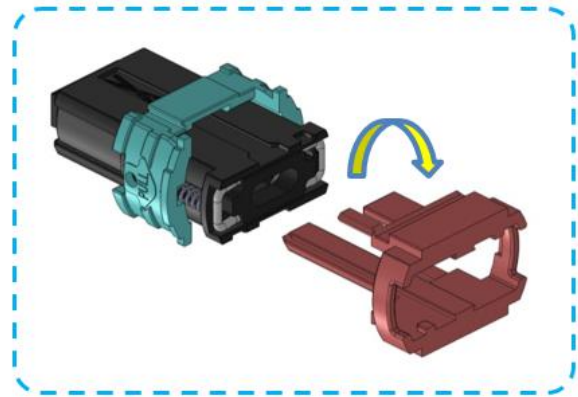
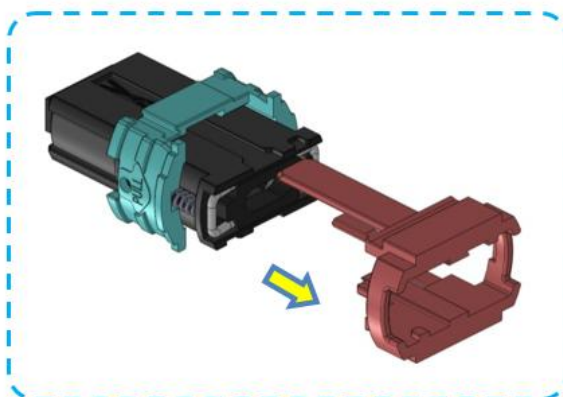


Unit: mm

Micro MPO Connector Polarity Change :

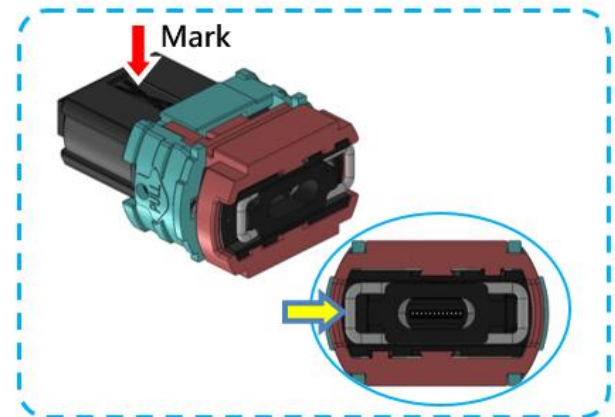
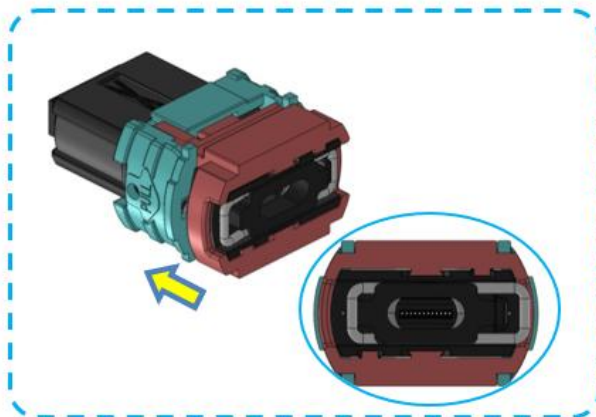


Step 1. Push **Circlip** to left to unlock the Key housing.



Step 2. Pull out Key Housing

Step 3. Turn Key Housing



Step 4. Insert Key Housing to Reverse Key Position

Step 5. Push Circlip to Right to lock the Connector.