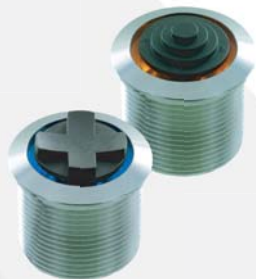


IP65 5-WAY SWITCH



Feature

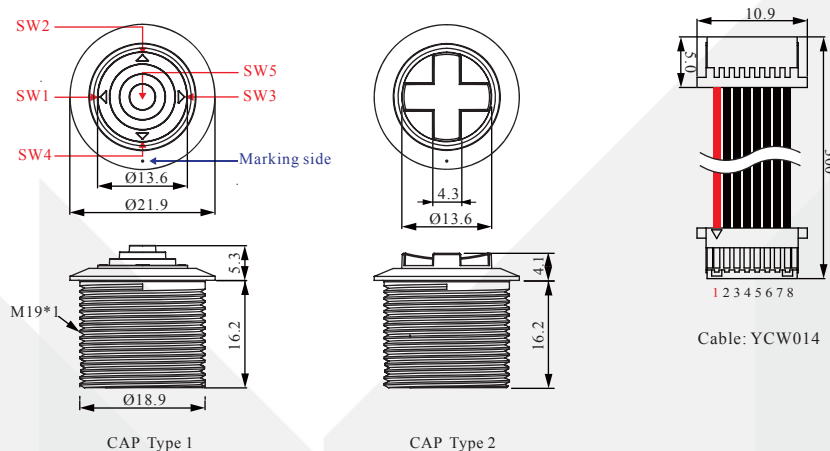
- Panel cutting Ø19mm
- Front Panel IP65
- 5 Key Navigation Switches
- LED Illuminated
- Metal Housing

General Specifications

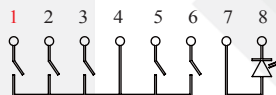
Switch Circuit	:SP5T
Current Rating	:50mA
Voltage Rating	:12VDC
Contact Resistance	:300mΩ Max.
Insulation Resistance	:100MΩ Min.
Operating Force	:Center Push 650±200gf 4-Direction 250±100gf
Mechanical Life	:50,000 cycles Min.
Operating Temperature	:-20 deg.~ +70 deg.

Materials

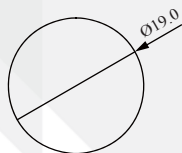
Cap	:Polyamide (PA)
Reflector	:Silicone
Base	:PCABS
Housing	:SUS
Nuts	:Copper Plated Nickel
Washer	:Rubber



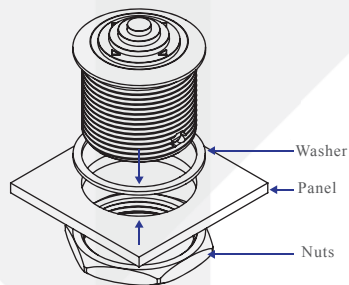
Contact Configuration & Panel cutting & Installation Notes



Pin	Function	Pin	Function
1	SW3 N.O.	5	SW4 N.O.
2	SW2 N.O.	6	SW5 N.O.
3	SW1 N.O.	7	LED(+)
4	SW COM.	8	LED(-)



Panel thickness
1.5~4.0mm



The Connector for SF19BA module
similar JST BM08B-SRSS-TB
Applicable Connector:
Conductor pitch / 1.0mm
Conductor width / □0.2mm

How to order

Module			
Description	Without LED, SUS housing, Black CAP Type 1	Yellow LED, SUS housing, Black CAP Type 1	SUS housing, Black CAP Type 2