

HIGH POWER PUSHBUTTONS



SPECIFICATIONS

RATING : 16A, 26A 250/125VAC.
CONTACT RESISTANCE : 50 mΩ max. @ 1A 12VDC (initial value)
INSULATION RESISTANCE : 100 MΩ min. at 500VDC
DIELECTRIC STRENGTH : 1,500V RMS @ sea level
OPERATION TEMPERATURE : -25°C to 85°C
MECHANICAL LIFE : Momentary 1,000,000 cycles
 Latching 500,000 cycles
ELECTRICAL LIFE : 16A /125&250VAC 50,000 CYCLES
 26A /125&250VAC 10,000 CYCLES
OPERATION PRESSURE : 3.5±1.5N
TRAVEL : About 3.2mm
INGRESS PROTECTION : IP67, IK08(Stainless)
TORQUE: 1~3Nm.

MATERIALS

BUSHING : Stainless Steel / Aluminum alloy
BASE : PBT(UL 94-V0) , PC(UL 94-V2)
ACTUATOR : PC ; Stainless Steel / Aluminum alloy
INNER ASSEMBLY : POM / PA66.
SPRING : Steel.
SEALING : Silicone.
O-Ring : Silicone.
TERMINAL: Brass ,Silver plated.
HEX NUT : Nickel plated brass.



IP 67
 ACCORDING TO
 EN 60529:1991+A1:2001
 IEC 60529:2001



HOW TO ORDER

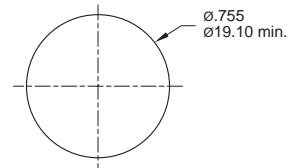
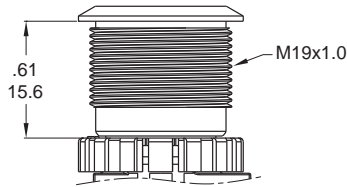
MODEL NO.	BODY TYPE	BUTTON TYPE	OPERATING TYPE	LIGHT TYPE	LED COLOR	LED VOLTAGE	MICRO SWITCH TYPE	RATING	CONNECT FORMS	TERMINAL TYPE																																						
	Body type A0 Stainless (Natural) C3 Al alloy (Black Anodized)	Button type F Flat H High R Round (Without LED only)	Operating type 0 Momentary 1 Lock	Light type 0 Without LED E Ring Moveable (Flat botton only) L Ring+Power logo (Flat botton only) P Power logo D Spot	LED Color <table border="1"> <thead> <tr> <th>ITEM NO</th> <th>COLOR</th> </tr> </thead> <tbody> <tr><td>0</td><td>Without LED</td></tr> <tr><td>1</td><td>White</td></tr> <tr><td>3</td><td>Red</td></tr> <tr><td>5</td><td>Yellow</td></tr> <tr><td>6</td><td>Green</td></tr> <tr><td>7</td><td>Blue</td></tr> <tr><td colspan="2">DUAL COLOR LED</td></tr> <tr><td>A</td><td>Red&Green</td></tr> <tr><td>B</td><td>Red&Blue</td></tr> </tbody> </table>	ITEM NO	COLOR	0	Without LED	1	White	3	Red	5	Yellow	6	Green	7	Blue	DUAL COLOR LED		A	Red&Green	B	Red&Blue	LED Voltage (20mA) <table border="1"> <thead> <tr> <th>ITEM NO</th> <th>VOLTAGE</th> </tr> </thead> <tbody> <tr><td>0</td><td>Without resistor</td></tr> <tr><td>3</td><td>3V</td></tr> <tr><td>6</td><td>6V</td></tr> <tr><td>12</td><td>12V</td></tr> <tr><td>24</td><td>24V</td></tr> <tr><td>36</td><td>36V</td></tr> <tr><td>110</td><td>110V</td></tr> <tr><td>220</td><td>220V</td></tr> </tbody> </table>	ITEM NO	VOLTAGE	0	Without resistor	3	3V	6	6V	12	12V	24	24V	36	36V	110	110V	220	220V	Micro switch type A Standard (D-Logo)	Rating 1 16A 3 26A(Only for terminal A type)	Connect forms Z SPDT T SPST-NO D SPST-NC	Terminal type A #250 Quick-connect terminal (t=0.8) B #187 Quick-connect terminal(t=0.8)
ITEM NO	COLOR																																															
0	Without LED																																															
1	White																																															
3	Red																																															
5	Yellow																																															
6	Green																																															
7	Blue																																															
DUAL COLOR LED																																																
A	Red&Green																																															
B	Red&Blue																																															
ITEM NO	VOLTAGE																																															
0	Without resistor																																															
3	3V																																															
6	6V																																															
12	12V																																															
24	24V																																															
36	36V																																															
110	110V																																															
220	220V																																															

BODY TYPE

A0/C3

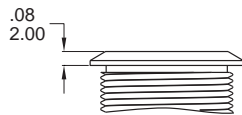
PANEL MOUNTING

Max. Panel thickness: 10.0mm[.39]

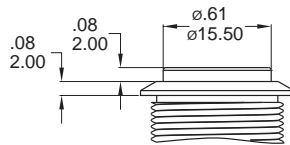


BUTTON TYPE

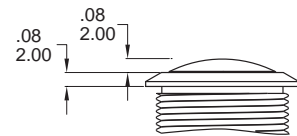
F Flat Button



H High Button

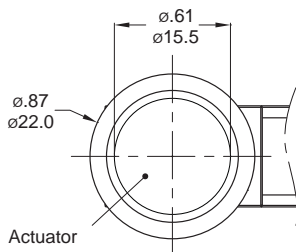


R Round Button (Without LED only)



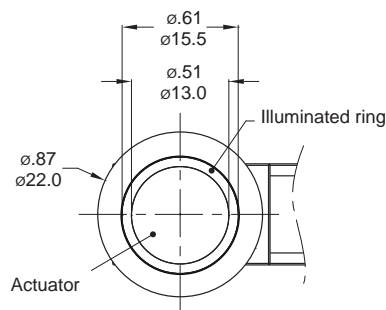
LIGHT TYPE

O Without LED

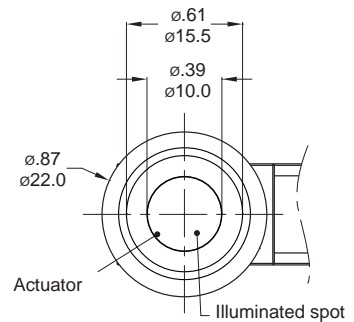


E Ring Moveable

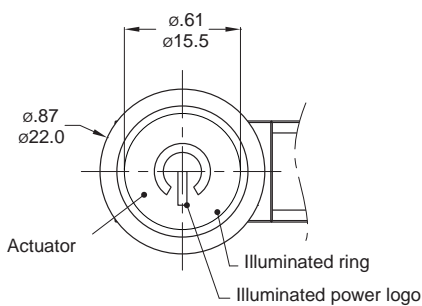
* Flat bottom for E light type only.



D Spot

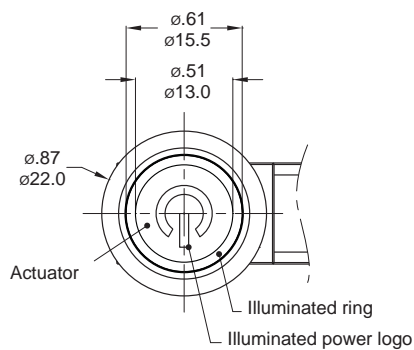


P Power logo



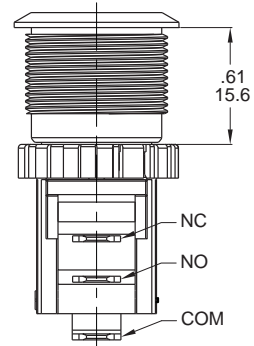
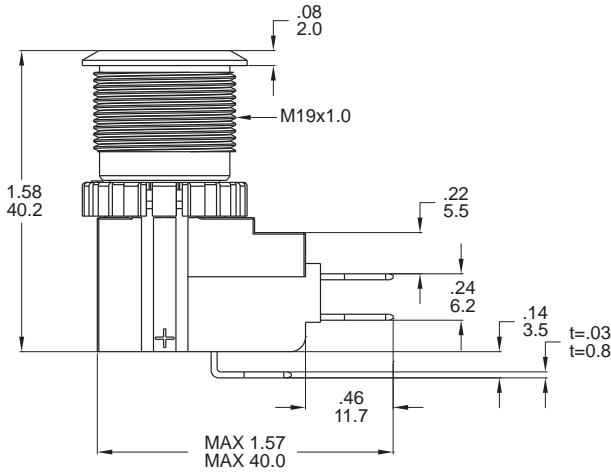
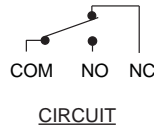
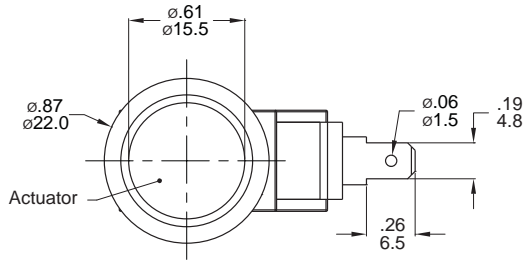
L Ring+Power logo

* Flat bottom for L light type only.



DIMENSION

O Without LED



E Ring Moveable
(Flat bottom only)

