

PERISTALTIC PUMP

PERISTALTIC PUMPS SERIES 63 (CLAM SHELL)



SERIES 633



SERIES 634

Our clam shell peristaltic pumps are self-priming devices designed to deliver accurate and constant volumes of a vast range of liquids. Our Series 63 are compact and have the fundamental characteristic of keeping separate pumped liquids from all mechanical elements of the pump. All the peristaltic pumps Series 63 mount our gearmotors.

TYPICAL APPLICATIONS

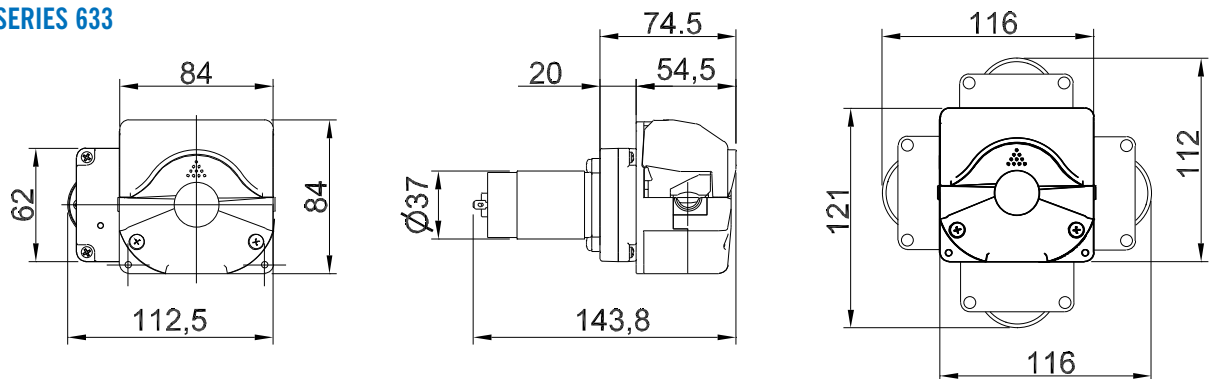
- Food industry
- Hot beverage machines and drink dispensers
- Industrial equipment for dosing detergents, oils, etc.

FEATURES

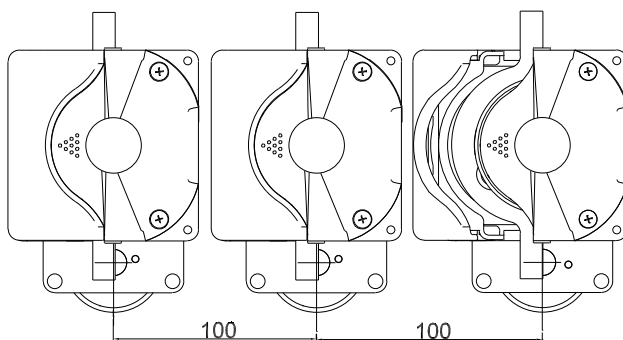
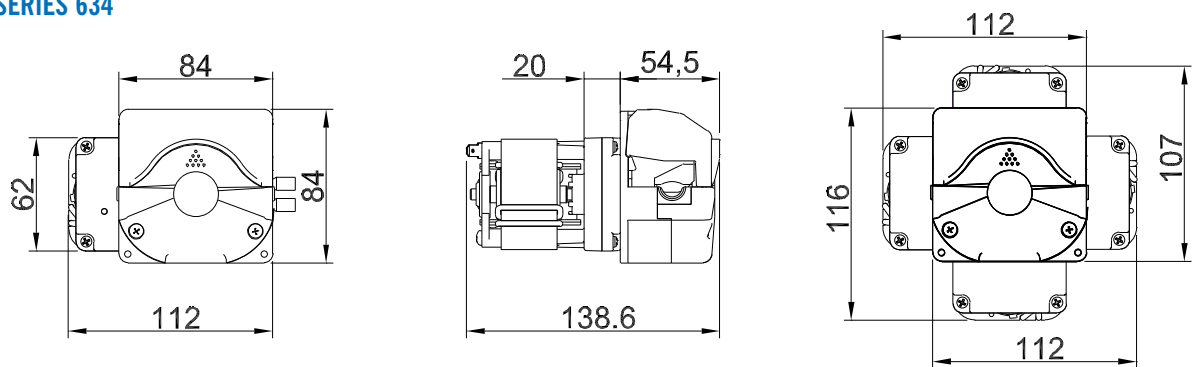
- No pump or fluid contamination
- Self-priming, dry running
- Accurate and repeatable flow rates
- Easy disassembly and assembly of pump
- Reduced maintenance
- Resistant to a vast range of chemical products
- Reversible rotation (only for 12/24V DC)
- 3 roller pump heads, to match your flow and precision needs
- Available with or without metal fixing plate
- Available with encoder on request
- Clam shell opening for rapid tube replacement
- Internal hose guides to avoid tube knipping

PERISTALTIC PUMPS SERIES 63 (CLAM SHELL)

SERIES 633



SERIES 634



CHARACTERISTICS

SERIES 633

- Power supply 12/24 VDC.
- Gearmotor with metal gearbox and gearings designed to guarantee elevated flow rates.
- Hosing available in Silicone or Santoprene (food applications), Tygon and Viton (chemical and industrial)

SERIES 634

- Power supply 117/230Vac - 50/60 Hz.
- Gearmotor with metal gearbox and gearings designed to guarantee elevated flow rates
- Hosing available in Silicone or Santoprene (food applications), Tygon and Viton (chemical and industrial)

PERISTALTIC PUMPS SERIES 63 (CLAM SHELL)



OPEN PUMP



CLOSED PUMP

TECHNICAL DATA

Medium water output values (ml/min) typical configurations: with 3 spring rollers, new santoprene hose 8x12, 20°C. The values decrease with the hardening of the hose. The RPMs are only for references.

SERIES 633

Ø HOSE	50 RPM	83 RPM	116 RPM	135 RPM	160 RPM	200 RPM	300 RPM
8X12	360	600	780	930	1080	1260	2280

SERIES 634 230 Vac/50Hz

(ml/min)

Ø HOSE	50 RPM	83 RPM
8X12	330	570

SERIES 634 117 Vac/60 Hz

(ml/min)

Ø HOSE	50 RPM	83 RPM
8X12	410	690

Other values are available on request.

- Variable output flow range
- Pump configurations 3 rollers fixed or sprung
- Special Hoses made of Tygon or Viton for specific industrial applications
- All pumps series 63 are NSF approved
- Compliant with RoHS directive 2011/65/EU