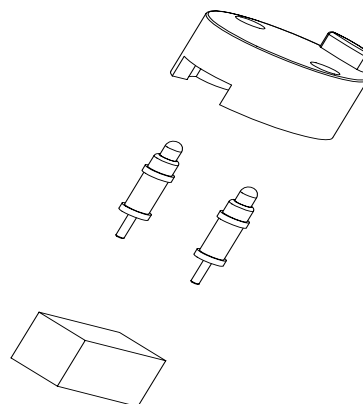
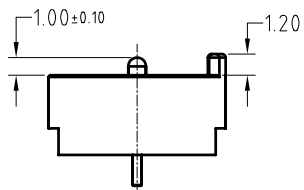
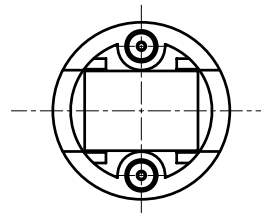
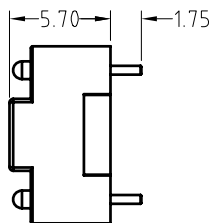
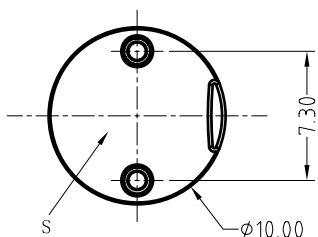
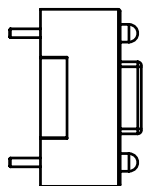


Note:<注意>
 Mechanical:<机械性能>
 .Single pin spring force: 70g±20g at 1.0mm working stroke
 <单针弹力: 70g±20g在1.0mm的工作行程>
 .Mechanical Life : 20,000 cycles
 <机械寿命: 50000次>
 Electrical:<电气性能>
 .Rated current & voltage: DC 12V, 3A Max.
 <额定电压, 电流: DC 12V, 3A>
 .When the current is greater than 1A then need to increase the time delay circuit(3 second)
 100% open & short test.
 <100%导通, 短路测试>
 专利号: 201621237827.5

MAGNET POGO CONTACT



Approve Sign



| | | | |
|-------------|---|--------------|-------------|
| 4 | PCB Polyester fiber board <PCB 聚酯纤维板> | | 1 |
| 4 | Pogo pin plating 0.125um Au <弹簧针 电镀金0.125um> | 0100001-1001 | 3 |
| 3 | N52 NdFeB Magnet plating Ni-Cu-Ni <N52 钕铁硼磁铁 表面镀镍铜镍> | B647-M1101 | 1 |
| 2 | N52 NdFeB Magnet plating Ni-Cu-Ni <N52 钕铁硼磁铁 表面镀镍铜镍> | B647-M2102 | 1 |
| 1 | Black HTN UL94 V-0 <黑色 HTN UL94 V-0> | B701-H3003 | 1 |
| 序号 <NO.> | 规格 <Specification> | 料号 <P/N> | 数量 <Qty> |

| | | | | |
|---|-------|---------|---------------|--------------------------|
| SCALE | 10:1 | UNIT:mm | | |
| ANGEL | ±2° | A4 | | |
| 0~6 | ±0.10 | | SHEET: 1 of 1 | |
| 6~30 | ±0.20 | DRAW | PART NO. | |
| 30~150 | ±0.30 | CHECK | FILE NAME | |
| GENERAL TOLERANCE UNLESS OTHERWISE NOTED | | APPRO | TITLE | Magnetic connector/磁吸连接器 |

| | | | |
|--------------|-----|------------|-------------|
| ECN(DCN) NO. | REV | DATE | DESCRIPTION |
| | D0 | 2016.07.30 | NEW |