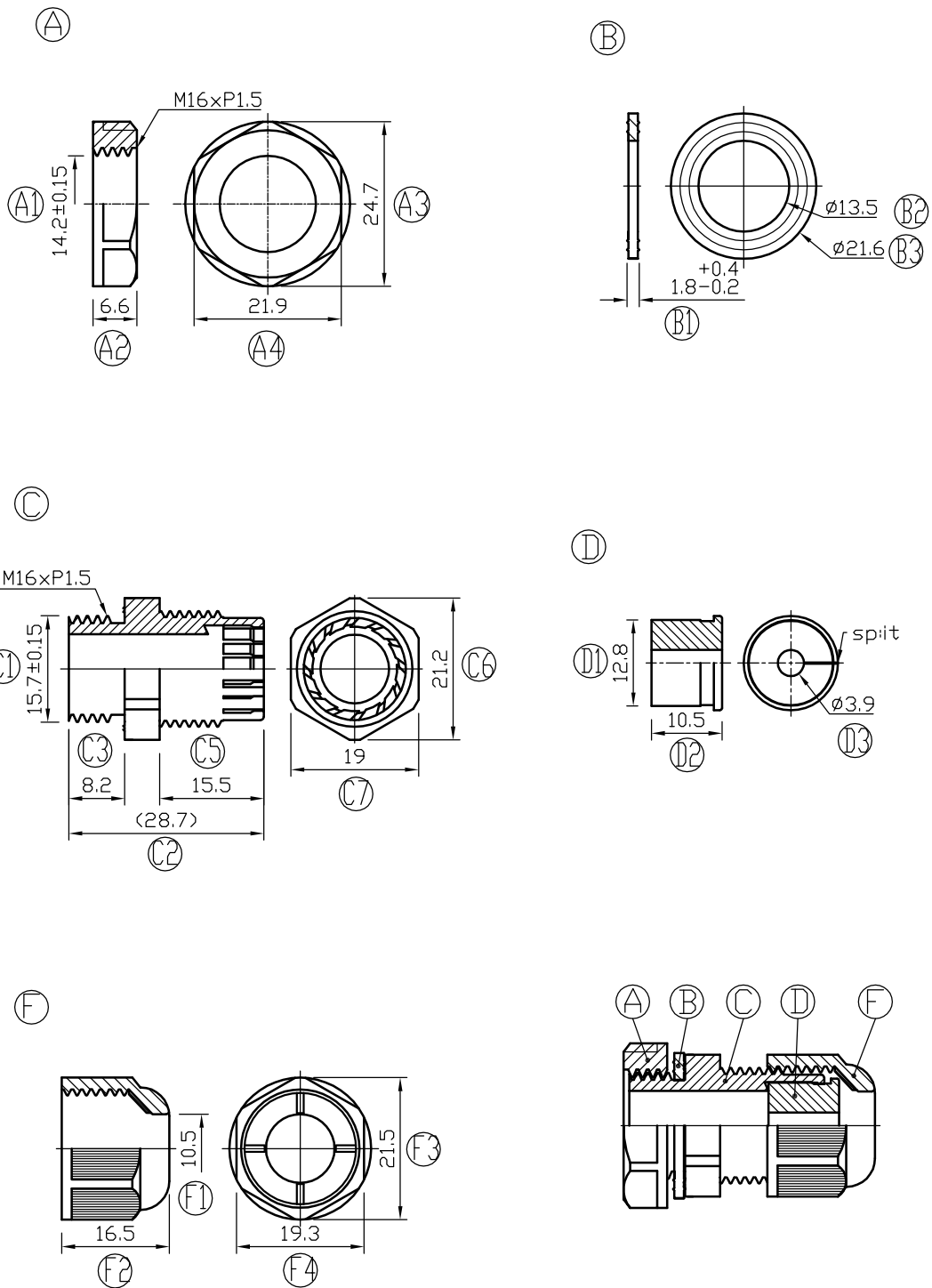


GLAND FOR RJ45



Cable Range	2.2 - 3.8 mm
Working Temp.	-40°C to 105°C (-40°F to 221°F)
IP Ratings	IP68 - 5bar
Panel Mounting Hole	16.3 - 16.5 mm

PRODUCT: NYLON CABLE GLANDS			INSPECTED BY	PEACA	2018. 01. 25	TOLERANCE: 6 ±0.2 18.1~30±0.5 6.1~9±0.3 30.1~50±0.6 9.1~18±0.4 50.1~80±0.8	IP68
			DRAWN BY	JESSIE	2018. 01. 25		
SCALE: 1:1			MATERIAL	B, D PART: BLACK UL EPDM A, C, F PART: BLACK PA66 UL94V-2			
UNIT: mm	REV.	1.1					