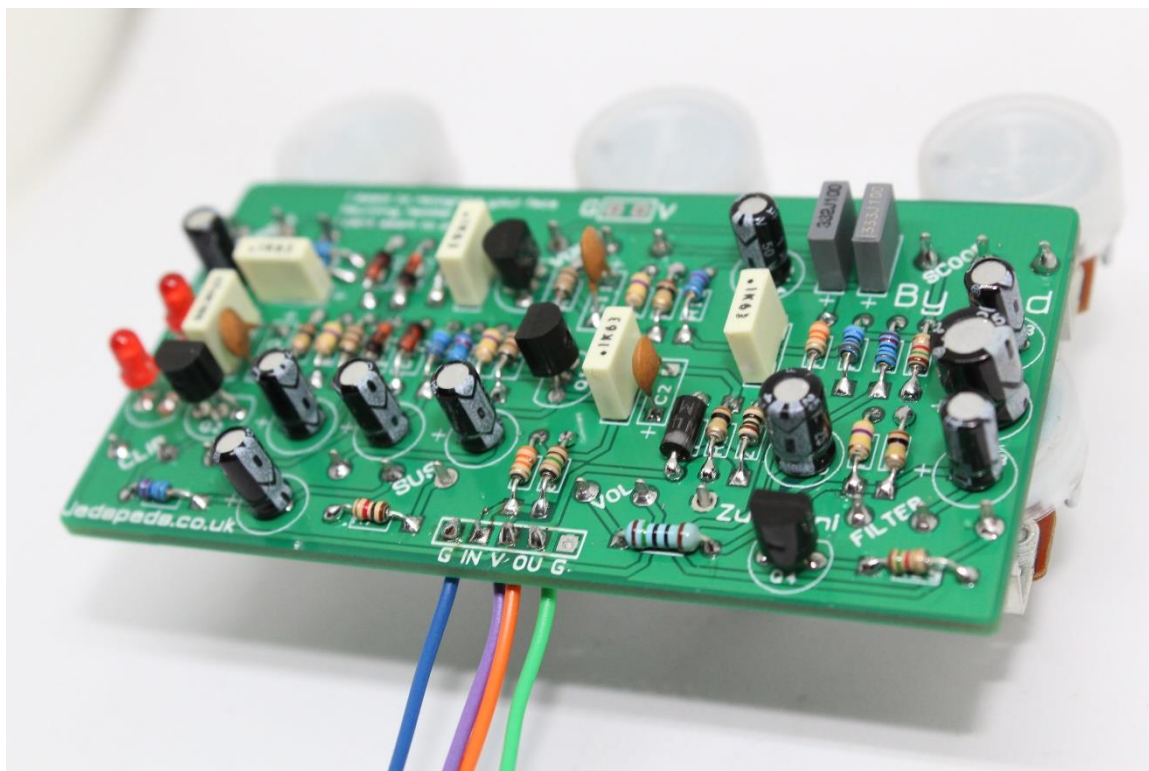


www.Jedspeds.co.uk

Zucchini PCB Kit



Please read the guide in full before starting your build. If it is blatantly obvious you haven't read it and contact us for help then don't be surprised if we tell you to read the guide again... harsh I know.

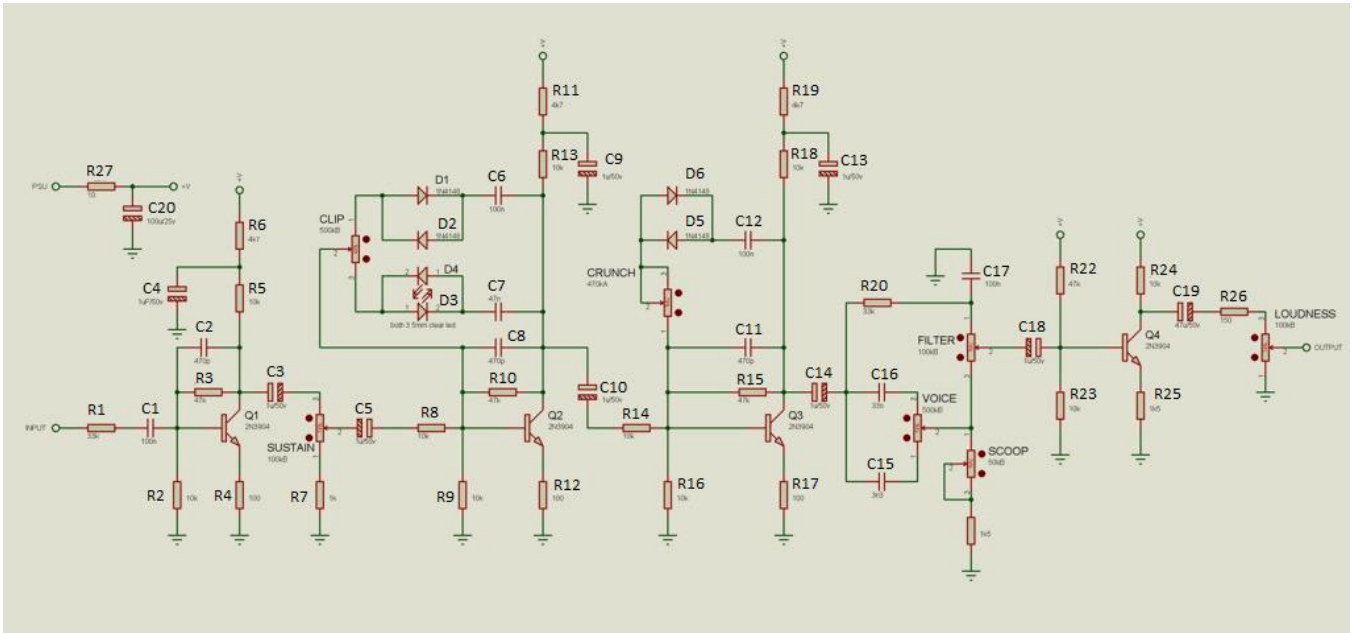
Parts List

R1	33K	R11	4K7	R21	1K5	C1	100N	C11	470P	CLIP	500KB
R2	100K	R12	100R	R22	470K	C2	470P	C12	100N	CRUNCH	500KA
R3	470K	R13	10K	R23	100K	C3	1U	C13	1U	FILTER	100KB
R4	100R	R14	10K	R24	10K	C4	1U	C14	1U	SCOOP	50KB
R5	10K	R15	470K	R25	1K5	C5	1U	C15	3N3	SUSTAIN	100KB
R6	4K7	R16	100K	R26	150R	C6	100N	C16	33N	VOICE	500KB
R7	1K	R17	100R	R27	10R	C7	47N	C17	100N	VOL	100KB
R8	10K	R18	10K	R28	1M	C8	470P	C18	1U	D1,2,5,6	4148
R9	100K	R19	4K7	R29	CLR – 4K7	C9	1U	C19	47U	D 3+4	RED LED
R10	470K	R20	33K			C10	1U	C20	100U	D7	4001
										Q1-4	2N3904

Kit Specific Build Notes

- This is a tight PCB in some places. I designed it with 7 mini pots, but didn't like it, so I redesigned it. Now it has 7 big pots 😊

Schematic for Reference



General Build Instruction

The first thing you must do is identify your parts from the pack. As a rule, I build from small to big – therefore step one will be to identify the resistors and any diodes inside your kit.

Each kit has a parts list at the top of the guide. So as an example, if R1 is listed as a 1M resistor then you dig out a 1M from the pack and place it on the PCB in the R1 spot. It's your call if you put one in and solder or put a few in or even put them all in and solder. I'll let you decide.

The front of the PCB is the side with the white writing on (the silkscreen)

You then need to follow the same process for all the other parts included. Working in height order mount the rest of the parts to the PCB ensuring that you solder them in place well as you go.

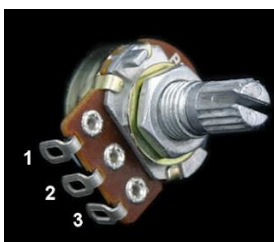
Some parts are quite heat sensitive so you must be careful when soldering them. Diodes, chips and transistors mainly. They can easily burn out by overheating.

I would then add the offboard wires, starting with nice long ones leaving them to be trimmed to length later. Finally, I add the pots either mounting them to the board or wiring them into place.

Useful links

[Resistor calculator](#)

Pots



Pin Numbers for the pots. Snap the little metal tag off before trying to put it through the holes in the box.

Some of our PCBs are now designed to use right angled mount pcb potentiometers. They mount from the rear as indicated by the pcb. We will provide right angled pots as stocked, this means that you may receive a “normal” pot on occasion and you will have to wire it. It’s not that inconvenient now is it.

The other options for pots are that they are wired into place or the PCB hangs from them.

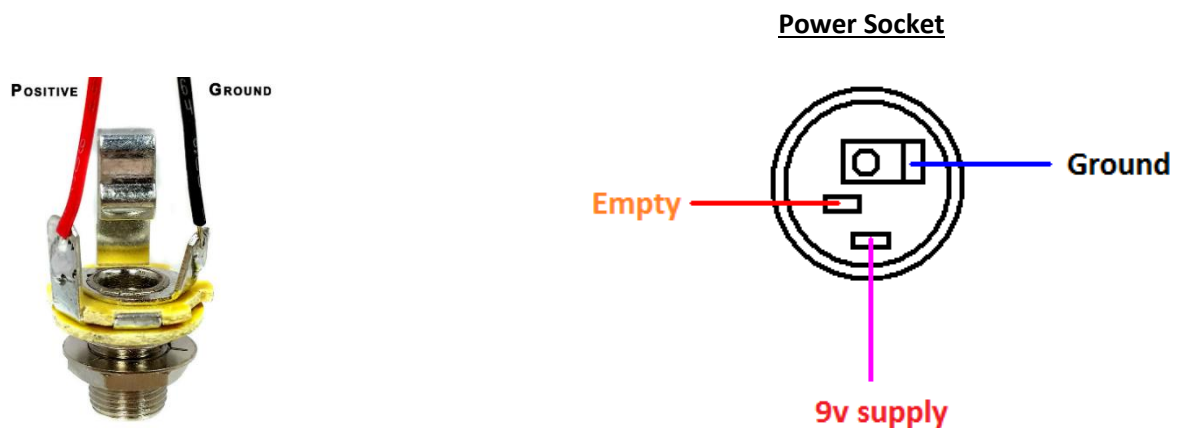


Hooking up the Jacks

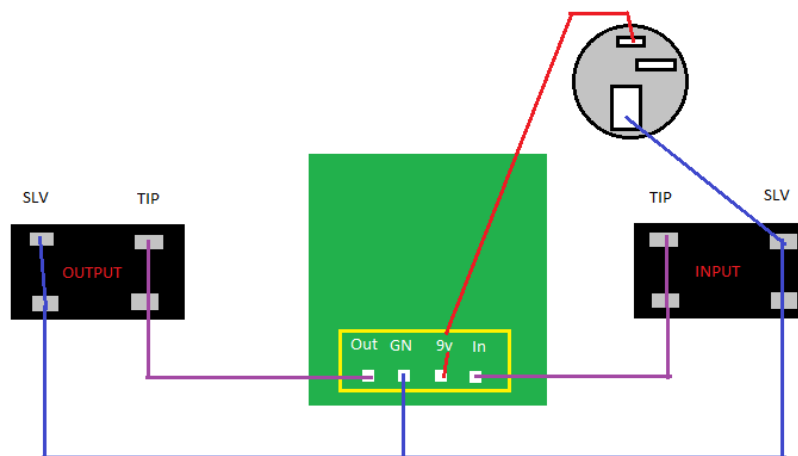
Our kits come with mono jacks. They have two connections, a positive or the tip connection. And a negative, or sleeve connection.

The tip connections will connect to the 3PDT as shown later in the guide unless there are instructions otherwise.

The sleeve connections are ground points, all grounds throughout a build must connect. The Jack socket will then connect to the enclosure and ground the case.



TEST THE BOARD



When you get to the stage with the board and pots wired you need to test the board before you add the foot switch. Firstly, don't put it in the box – I see people building inside a tiny enclosure and I wonder why. Some PCB's are tight enough as it is without reducing your workspace to 6cm wide!

Connect Input pad to TIP of Input jack. Same with output. Then connect the power to the 9v pad. Connect all grounds together (board, jack sleeves and 9v) If your board is working at this point then you can start work on the switch! If not...get double checking! If you email asking me why your pedal isn't working the first thing I will ask is... "did it work without the switch?", so make sure you follow this step.

If your PCB is working you are ready to connect the board to the footswitch! Follow the next stages meticulously and all being well by the end of it you will have a lovely finished pedal!

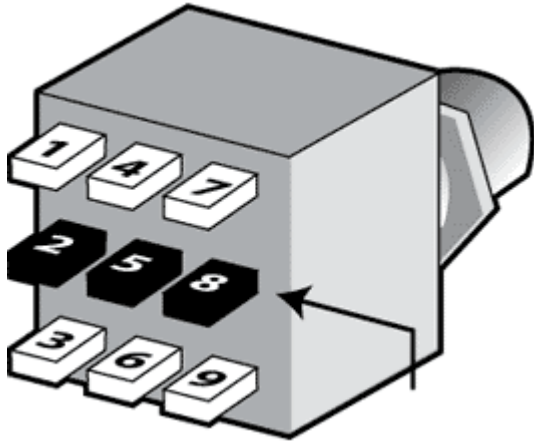
The next step involves undoing the tip wires from the PCB as they will now move to the 3PDT.

If its not working at this stage then you need to find out why. Do not continue beyond this point until you get it working. Adding a footswitch will not magically make a circuit work.

Troubleshooting is a necessary evil at times.

The Footswitch. (without 3PDT board)

Have a look at the footswitch. It has 9 pins. The orientation of the switch is crucial. If you do it wrong your switch will not work, you might ruin it and you will certainly have to un do it.



The pins on the switch must run left to right like this, so the top row of pins would be 1, 4, and 7.

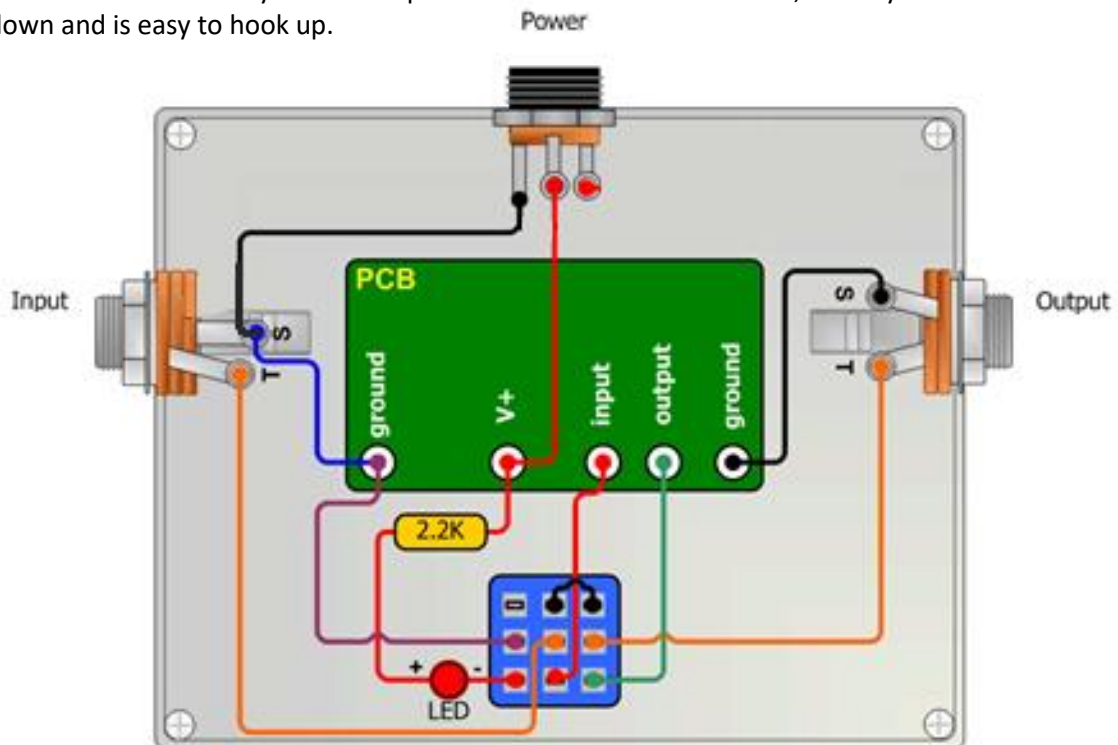
If you put it in with 1, 2, and 3 across the top row you are wrong.

To help you a little further with ensuring the orientation of your switch is correct. To compare both 3PDT images you would have this...

- Pin 1 – Empty
- Pin 2 – Ground
- Pin 3 – LED
- Pin 4 – Pin 7
- Pin 5 – Input Jack tip
- Pin 6 – PCB Input
- Pin 7 – Pin 4
- Pin 8 – Output Jack Tip
- Pin 9 – PCB Output

Please make sure you get the switch the correct way!

There are loads of ways to wire up the footswitch. I use this one, I always have. Its never let me down and is easy to hook up.



The 2k2 resistor can be any value up to 4k7. You will have a spare in the kit to use.

Good luck and happy soldering!

PCB Design Notes



1. All PCBs are designed by ourselves, and tested before sale.
2. Box caps are shown with a + polarity mark on the silk screen, this is irrelevant as the box caps are non-polarised so can go either way.
3. Spare ground points may be provided on the PCB layout, use them if you wish but there is no requirement to.