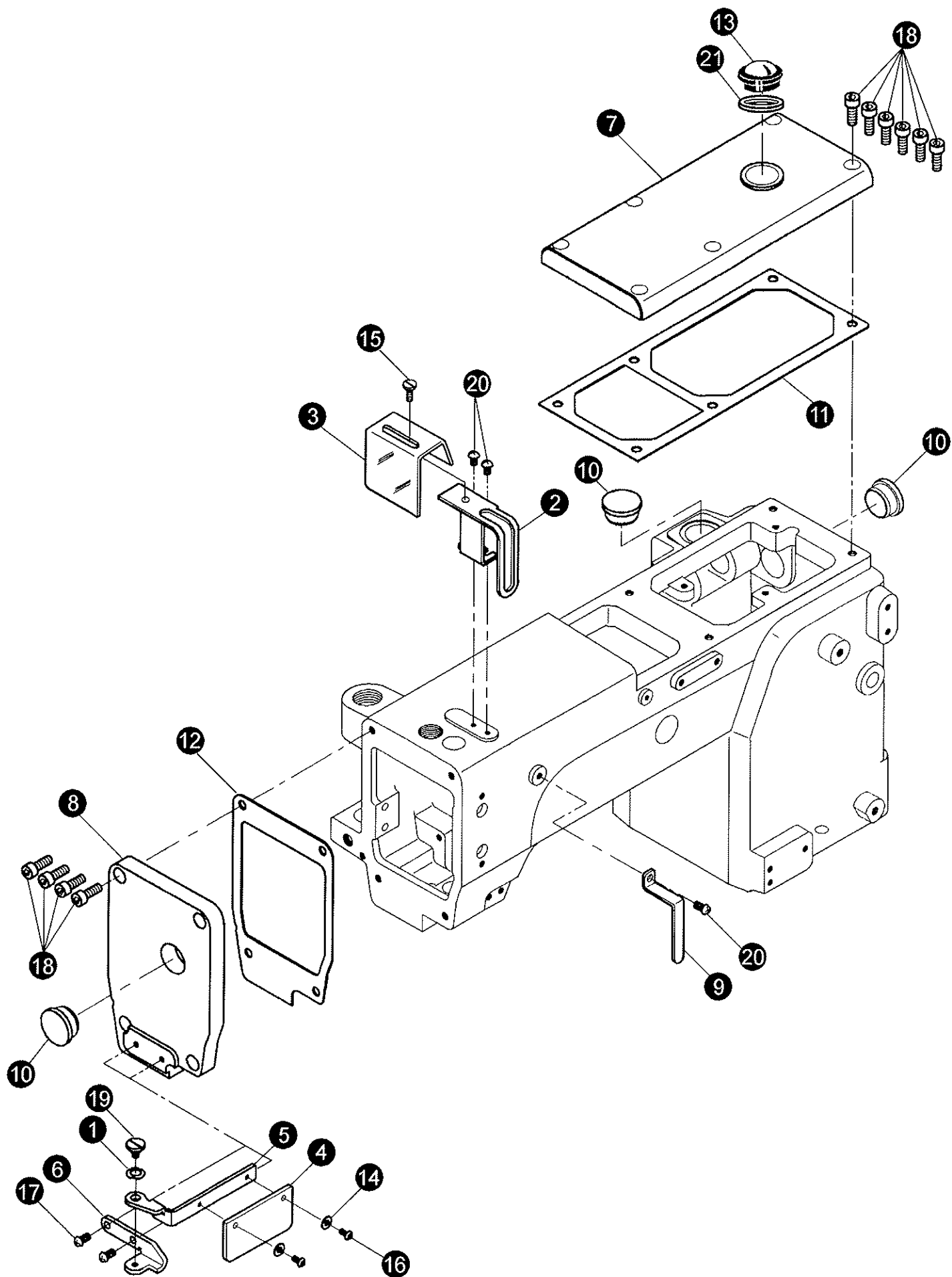


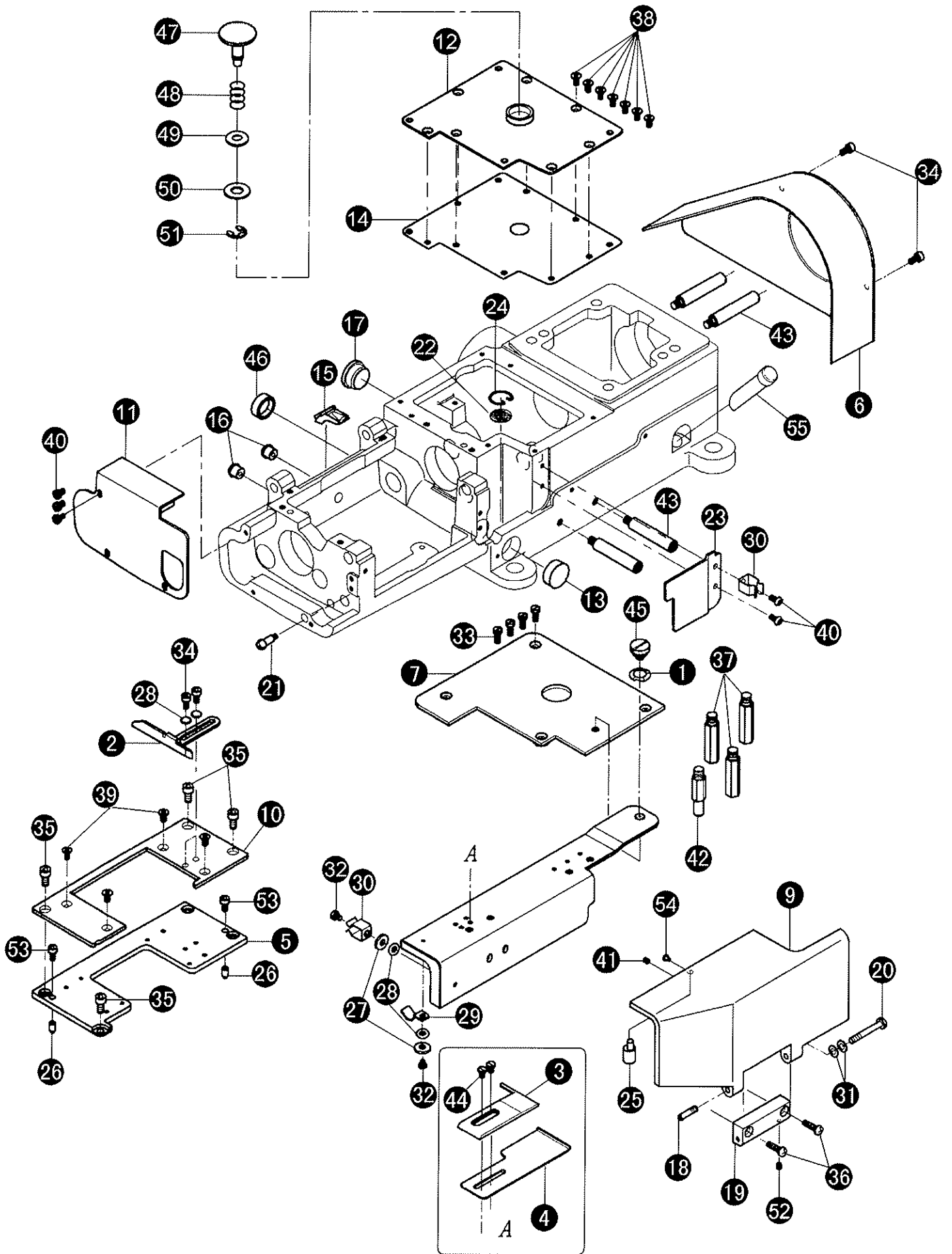
1. FRAME ASSEMBLY (1)

No.	Ref. No.	Description	Qt.
1	S150643002	Washer	1
2	197120001	Needle bar guard	1
3	197120002	Needle bar cover	1
4	197130001	Eye guard	1
5	197130002	Eye guard support	1
6	197130003	Eye guard bracket	1
7	197140001	Top cover	1
8	197100001	Face plate	1
9	197100003	Thread take-up lever guard	1
10	197100004	Rubber plug	2
11	197100005	Gasket	1
12	197100002	Gasket	1
13	043120002	Oil sight window	1
14	008230003	Washer 4	2
15	197120003	Screw	1
16	S120203033	Screw M4 x 6	2
17	B62400812	Screw M4 x 8	2
18	S150220004	Screw M5 x 14	10
19	197130004	Screw	1
20	B62400812	Screw M4 x 8	1
21	S150656025	O-type ring25.8 x 1.8	1



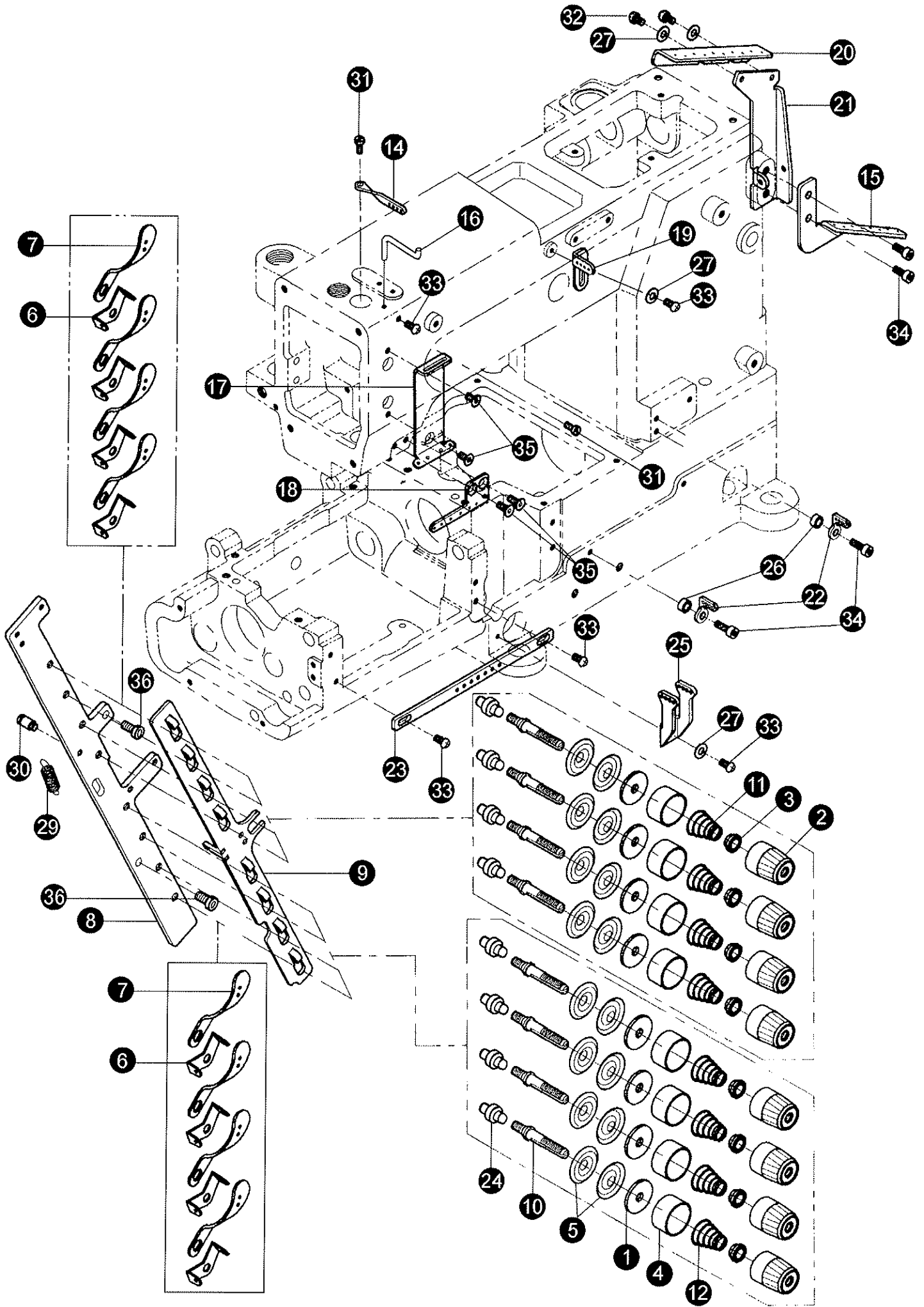
2. FRAME ASSEMBLY (2)

No.	Ref. No.	Description	Qt.
1	197150002	Washer12	1
2	197100006	Material guide	1
3	197100007	Tape guide, left	1
4	197100008	Tape guide, right	1
5	197100009	Needle plate support bracket	1
6	197F01001	Pulley cover	1
7	197151000	Upper cover	1
8	197152001	Front plate cover	1
9	197160001	Front cover	1
10	197100011	Cover	1
11	197100012	Left cover	1
12	197171000	Upper cover	1
13	197100013	Rubber plug	4
14	197100014	Gasket	1
15	197100015	Rubber plug	1
16	197100025	Rubber plug	2
17	197100004	Rubber plug	1
18	197160003	Screw	1
19	110150002	Hinge	1
20	197160002	Screw	1
21	197100017	Pin	1
22	110300005	Oil filter screen	1
23	197100018	Oil fence	1
24	110300006	Clamp	1
25	197160004	Pin	1
26	182100045	Pin	2
27	110200005	Washer	2
28	008230003	Washer 4	3
29	197152002	Spring	1
30	197100016	Spring	2
31	S150643001	Washer 5	2
32	S120203031	Screw M4 x 5	2
33	B62401012	Screw M4 x 10	4
34	S150220041	Screw	2
35	S150220007	Screw M5 x 10	4
36	S150237004	Screw M4 x 12	2
37	197100020	Support pole	3
38	S120205003	Screw M4 x 8	7
39	S120205003	Screw	4
40	B62400812	Screw M4 x 8	2
41	B12400432	Screw M4 x 4	1
42	197100021	Support pole (S)	1
43	197100022	Screw	4
44	S120203033	Screw M4 x 6	2
45	197150001	Screw	1
46	197400012	Rubber plug	1
47	197170001	Push button	1
48	197170002	Spring	1
49	S150656012	O-type ring 5 x 1.8G	1
50	110440009	Washer	1
51	S4B1202008	C-type ring 4	1
52	S150224001	Screw M3 x 3	1
53	S150220041	Screw M4 x 10	2
54	110150005	Rubber plug	1
55	110300002	Oil sight gauge	1



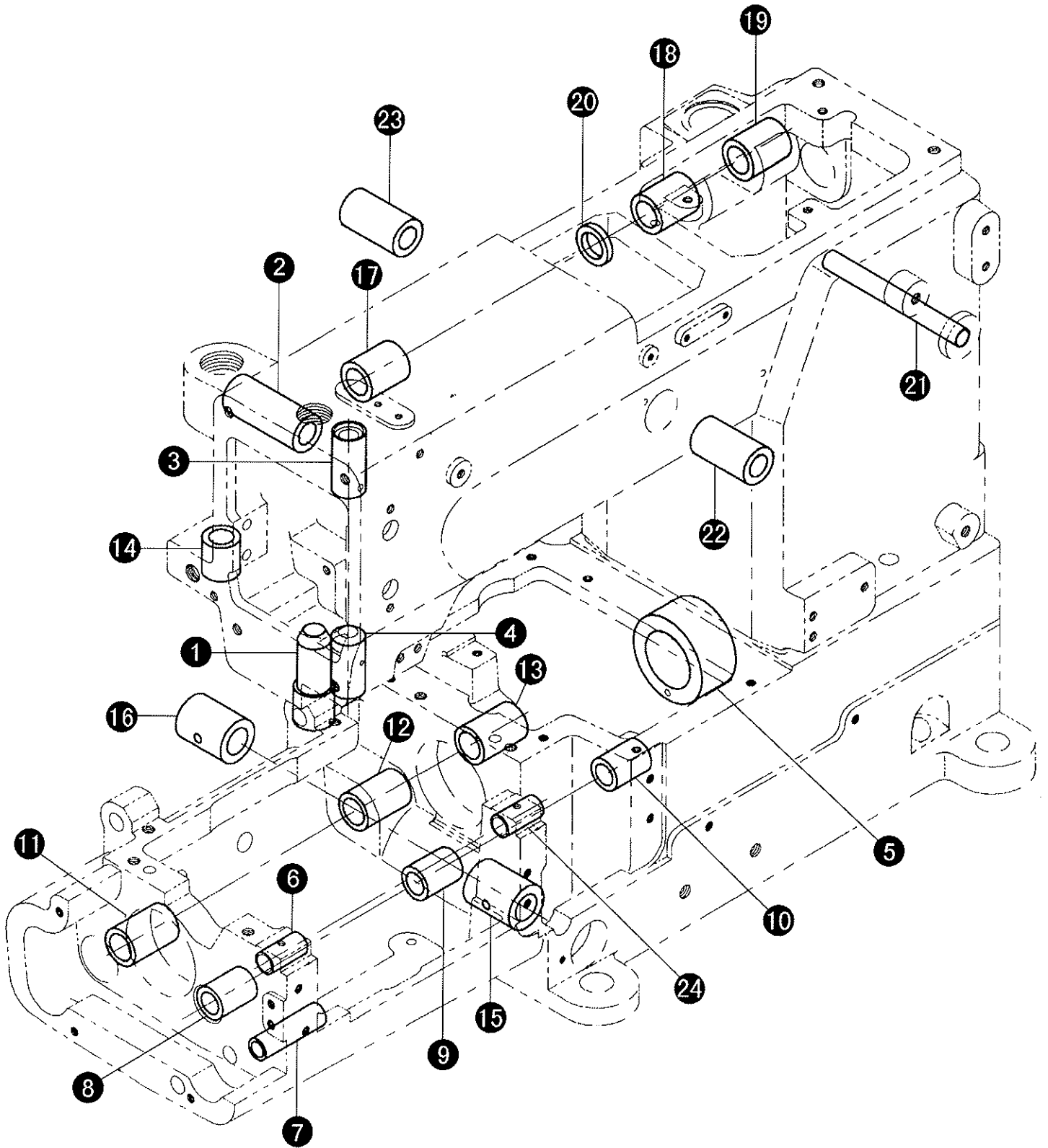
3. THREAD TENSION MECHANISM

No.	Ref. No.	Description	Qt.
1	028283007	Felt	8
2	155A10009	Thread tension nut	8
3	155A10007	Spring post	8
4	1102h0005	Thread tension spring retainer	8
5	022160005	Tension disc	16
6	116200015	Tension disc eyelet	8
7	116200016	Tension disc eyelet	8
8	197210001	Tension post support	1
9	197210002	Thread releaser	1
10	1102h0003	Tension post	8
11	155A10004	Spring	4
12	155A10005	Spring	4
13	S150220041	Screw M4 x 10	2
14	197200001	Thread eyelet	1
15	197200002	Looper thread eyelet	1
16	110200026	Thread take-up eyelet	1
17	197200004	Thread eyelet	1
18	197200005	Thread eyelet	1
19	197200006	Thread eyelet	1
20	197220001	Thread guide	1
21	197220002	Thread guide support	1
22	197200007	Thread eyelet	2
23	197200009	Thread eyelet	1
24	197210005	Roller	8
25	197200010	Tension disc separator	1
26	197200008	Collar	2
27	008230003	Washer 4	4
29	197210004	Spring	1
30	197210003	Screw	1
31	058600005	Screw SM9/64" (3.57) x 40 x 7	1
32	S150237002	Screw M4 x 5	2
33	B62400812	Screw M4 x 8	5
34	S150220041	Screw M4 x 10	4
35	S120205003	Screw	4
36	S150220007	Screw M5 x 10	2



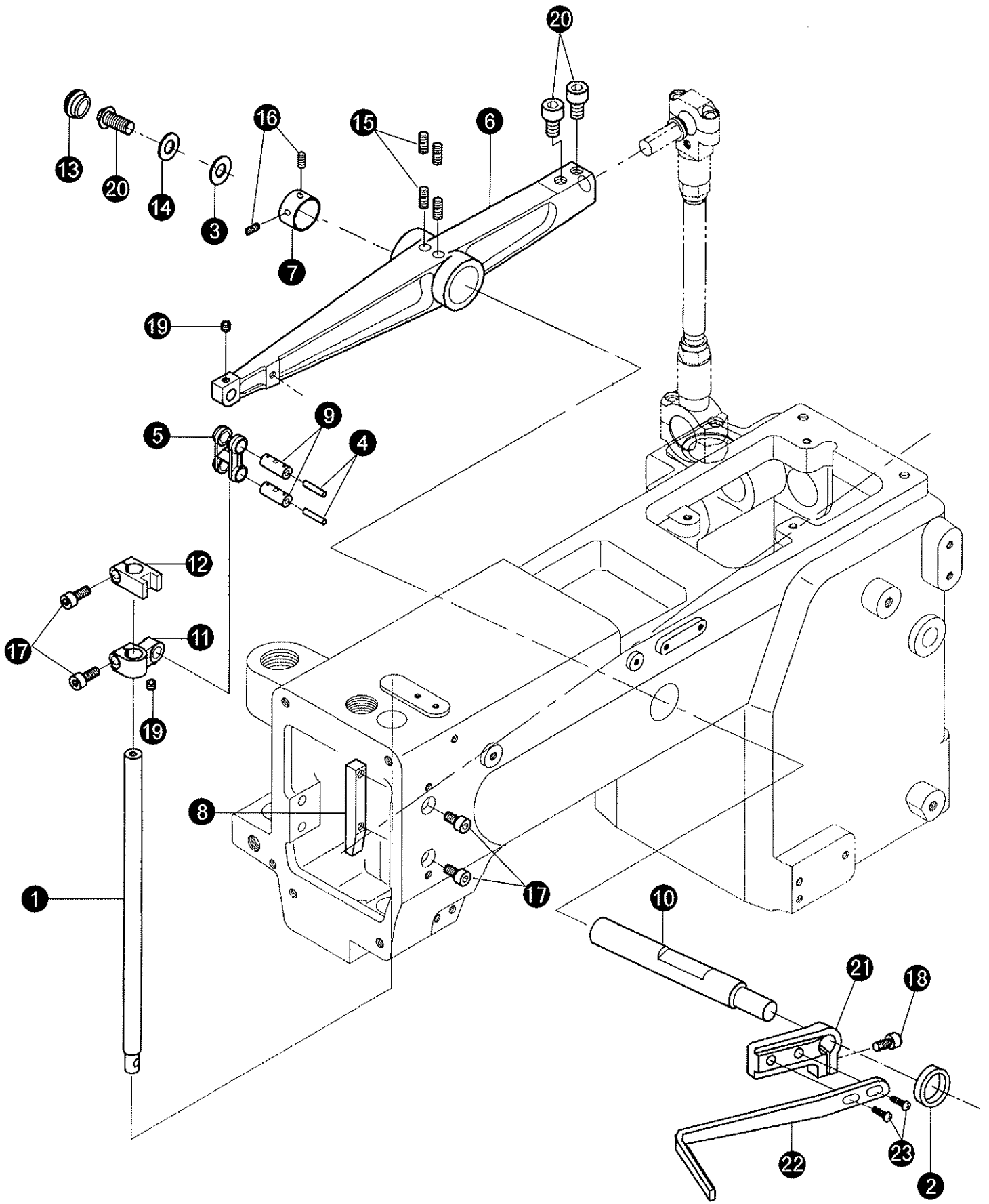
4. BUSHING

No.	Ref. No.	Description	Qt.
1	11060007	Bushing	1
2	19780003	Bushing	1
3	19780001	Bushing	1
4	19780002	Bushing	1
5	19780008	Bushing	1
6	19780012	Bushing	1
7	19780009	Bushing	1
8	19780017	Bushing	1
9	19780018	Bushing	1
10	19780019	Bushing	1
11	19780014	Bushing	1
12	19780015	Bushing	1
13	19780016	Bushing	1
14	19780004	Bushing	1
15	19780010	Bushing	1
16	19780011	Bushing	1
17	19780005	Bushing	1
18	19780006	Bushing	1
19	19780007	Bushing	1
20	19780020	Oil seal	1
21	19760007	Bushing	1
22	19730007	Bushing	1
23	19730008	Bushing	1
24	19780013	Bushing	1



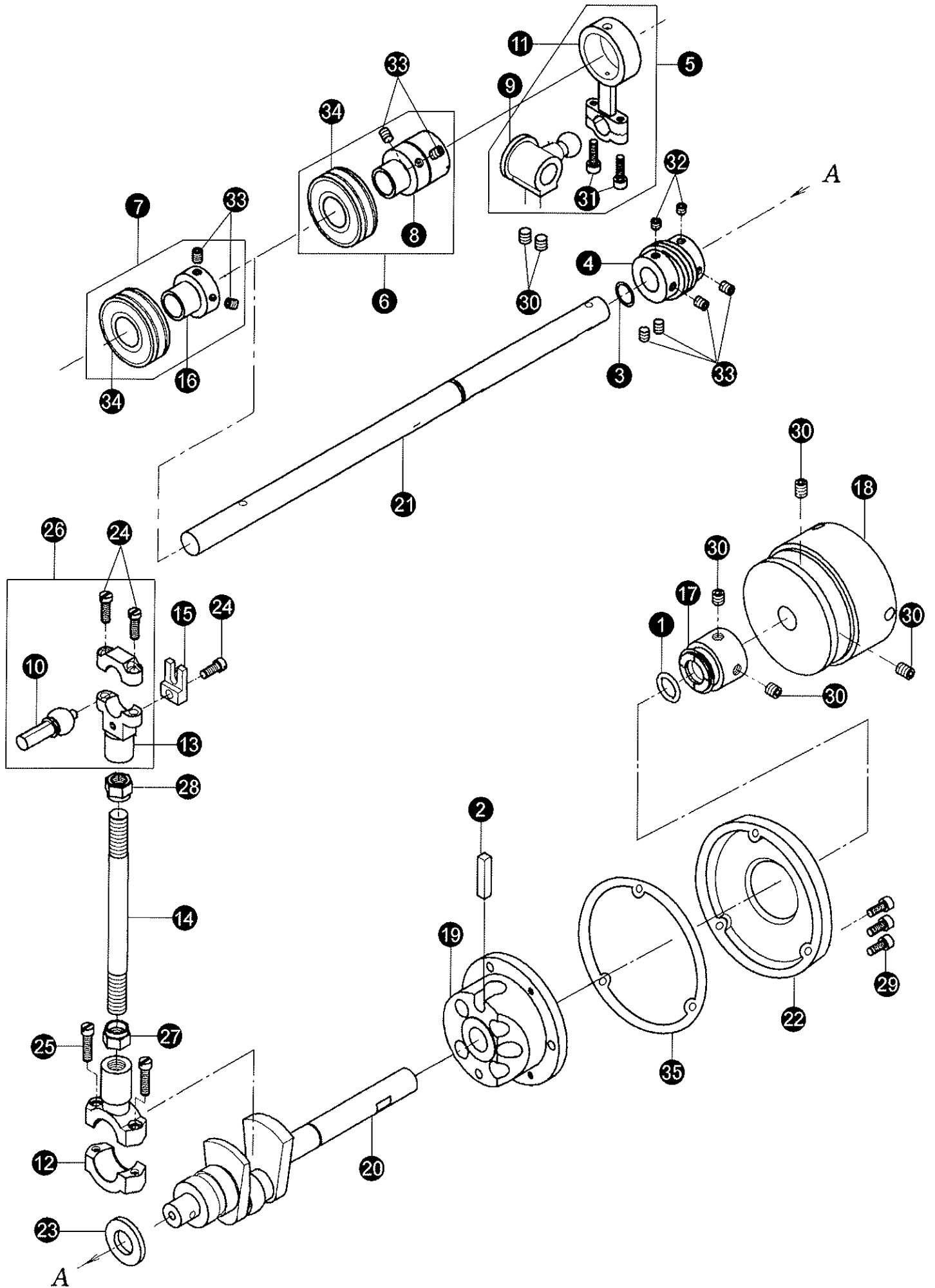
5 . NEEDLE BAR MECHANISM

No.	Ref. No.	Description	Qt.
1	197300001	Needle bar	1
2	110280000	Oil seal	1
3	197300005	Washer	1
4		Wool	2
5	197310002	Link	1
6	197310001	Needle lever	1
7	197300006	Collar	1
8	197300003	Needle bar guide	1
9	197310003	Pin	2
10	197300004	Needle lever stud	1
11	197310004	Needle bar clamp	1
12	197300002	Slide block	1
13	197300009	Rubber plug	1
14	S8A3103013	Washer 6	1
15	B12060632	Screw M6 x 6	4
16	B12500532	Screw M5 x 5	2
17	S150220041	Screw M4 x 10	4
18	S150220004	Screw M5 x 14	1
19	S150225002	Screw M4 x 4	2
20	S150220042	Screw M6 x 10	3
21	197230001	Thread take-up crank	1
22	197230002	Thread take-up lever	1
23	B62400812	Screw M4 x 8	2



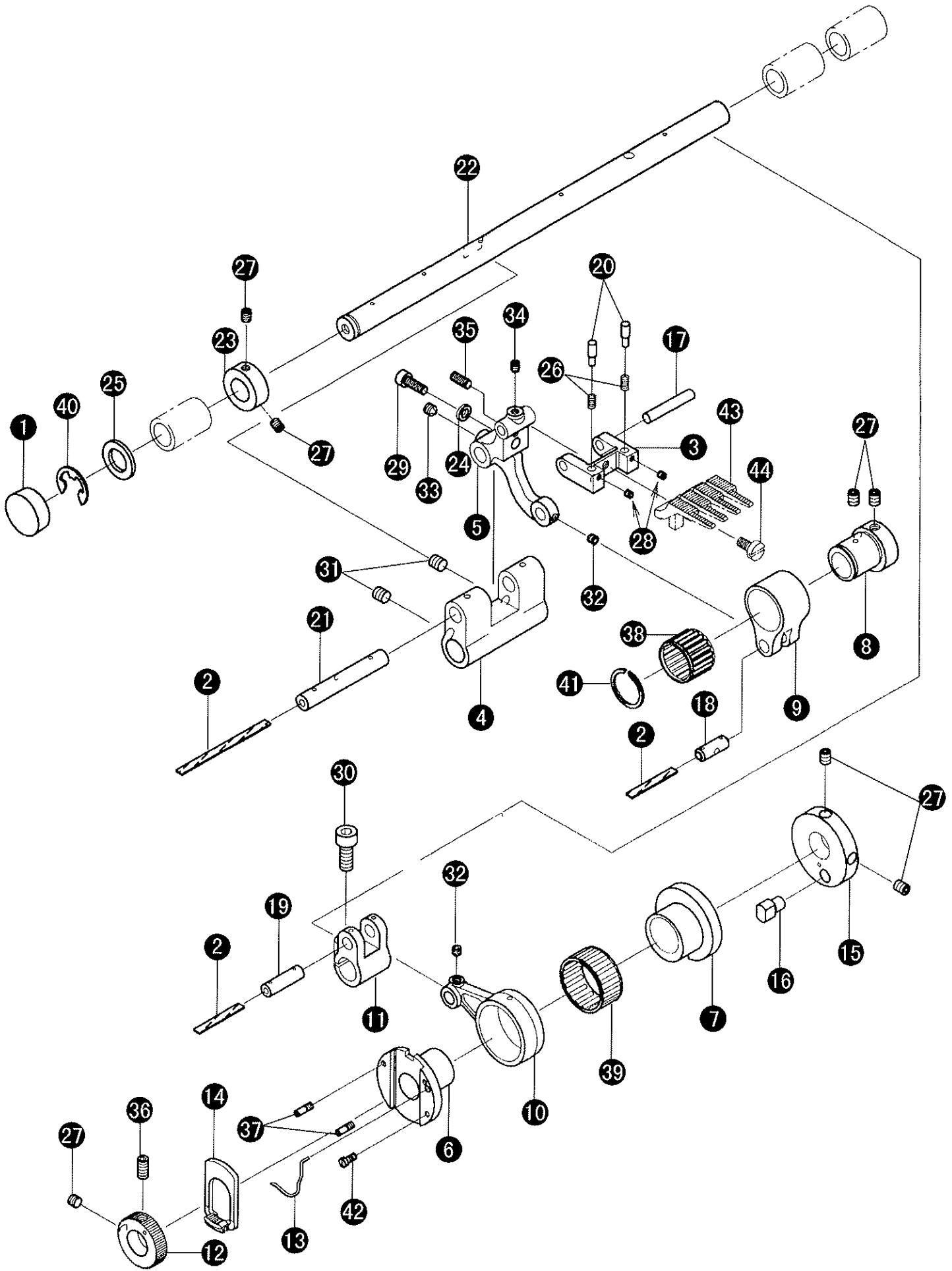
6. CRANK SHAFT MECHANISM

No.	Ref. No.	Description	Qt.
1	S150656026	O-type ring13.2 x 1.8G	1
2		Wick	1
3	S150656013	O-type ring 9.5 x 1.8	1
4	197450001	Worm	1
5	197410000	Connecting rod asm.	(1)
6	197440000	Bearing asm. (right)	(1)
7	197430000	Bearing asm. (left)	(1)
8	197440001	Eccentric wheel	1
9	197410001	Crank rod	1
10	197422003	Connecting rod ball	1
11	197410002	Connecting rod	1
12	197421002	Ball joint	1
13	197422001	Ball joint	2
14	197420001	Connecting bar	1
15	197422002	Stopper	1
16	197430001	Sleeve	1
17	197460001	Collar	1
18	197470001	Pulley	1
19	197400003	Flange	1
20	197421001	Crank shaft	1
21	197400001	Shaft	1
22	197400002	Cover	1
23	197400005	Washer	1
24	197422004	Screw SM11/64"(4.37) x 40 x 14	3
25	197421003	Screw SM11/64"(4.37) x 40 x 18	2
26	197422000	Connecting rod asm.	(1)
27	190550002	Nut (down) SM3/8"(9.53) x 28	1
28	190550004	Nut (up) SM3/8"(9.53) x 28	1
29	S150220041	Screw M4 x 10	3
30	B12060632	Screw M6 x 6	6
31	S150220038	Screw M4 x 14	2
32	S150225006	Screw M5 x 6	2
33	B12500532	Screw M5 x 5	8
34	058530004	Bearing 6203	2
35	197400004	Washer	1



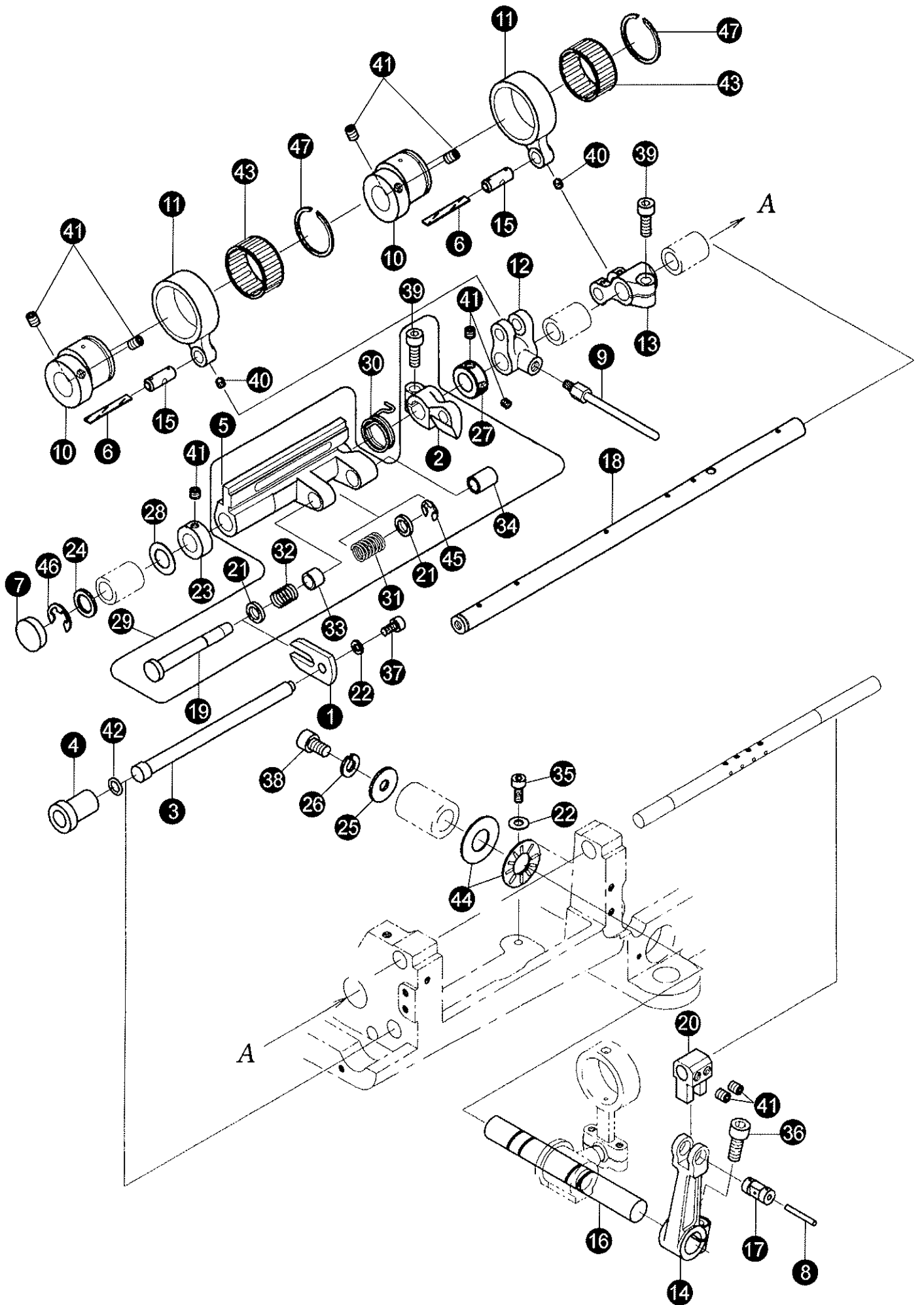
7. FEED MECHANISM

No.	Ref. No.	Description	Qt.
1	197100013	Rubber plug	(1)
2		Wool	2
3	197510002	Feed dog holder	1
4	197510001	Feed rocker	1
5	197510003	Feed bar	1
6	197520007	Feed regulating eccentric	1
7	197520005	Feed eccentric	1
8	197510004	Eccentric	1
9	197510005	Rocker link	1
10	197520006	Feed link	1
11	197520003	Feed crank	1
12	197520010	Sprocket wheel	1
13	197520008	Spring	1
14	197520009	Regulating plate	1
15	197520001	Eccentric collar	1
16	197520002	Eccentric block	1
17	197510006	Feed bar shaft	1
18	008400017	Rocker link shaft	1
19	197520004	Feed link shaft	1
20	197510008	Pin	2
21	197510007	Feed link shaft	1
22	197500002	Feed shaft	1
23	197500003	Collar	1
24	008230003	Washer 4	1
25	197500004	Washer	1
26	197510009	Spring	2
27	B12500532	Screw M5 x 5	7
28	S150224001	Screw M3 x 3	2
29	S150220041	Screw M4 x 10	1
30	B18061432	Screw M6 x 14	1
31	B12060632	Screw M6 x 6	2
32	S150225002	Screw M4 x 4	1
33	S150225006	Screw M5 x 6	1
34	B12400432	Screw M4 x 4	1
35	S150224019	Screw M4 x 10	1
36	110460013	Screw	1
37	110460011	Screw	1
38	008400016	Needle bearing asm.	1
39	S150866019	Needle bearing K25 x 29 x 13	1
40	S4A1002010	E-type ring 9	1
41	197510010	C-type ring	1
42	S120203015	Screw M3 x 5	1
43	197510011	Feed dog	1
44	022400015	Screw SM11/64"(4.37) x 40 x 10	1



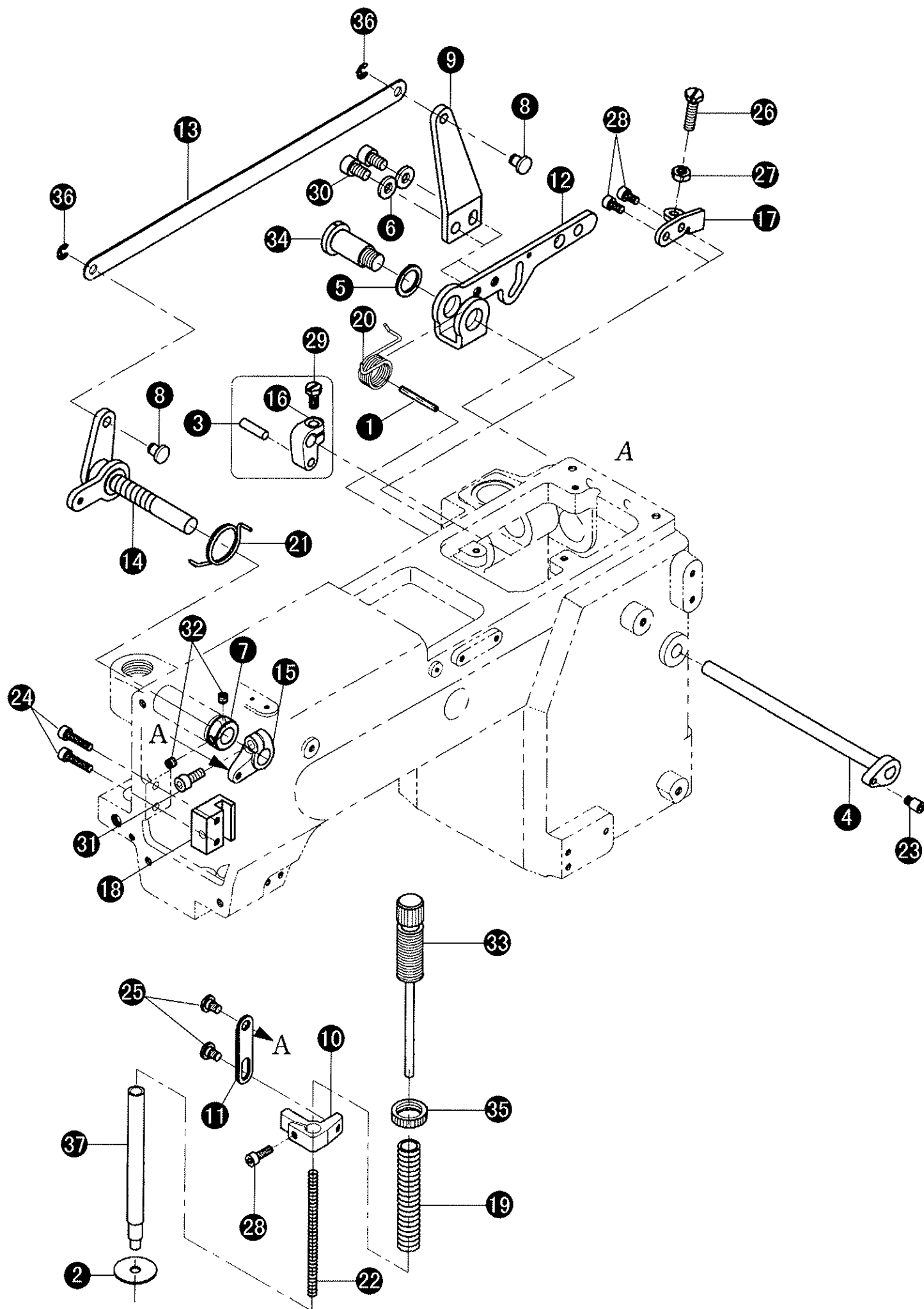
8. LOOPER MECHANISM

No.	Ref. No.	Description	Qt.
1	197400009	Looper rocker guide plate	1
2	197400007	Looper rocker stopper	1
3	197400010	Shaft	1
4	197400011	Stud	1
5	197480001	Looper rocker	1
6		Wick	2
7	197400012	Rubber plug	1
8		Wick	1
9	197490001	Tack-up lever	1
10	197490002	Eccentric	2
11	197490003	Link	2
12	197490005	Take-up drive lever	1
13	1974a0001	Looper drive lever	1
14	197400015	Lever	1
15	008400017	Pin	2
16	197400013	Shaft	1
17	197400016	Pin	1
18	197400018	Looper shaft	1
19	197480002	Set shaft	1
20	197400017	Retainer bar holder	1
21	197480003	Washer	2
22	008230003	Washer 4	2
23	197400019	Collar	1
24	197400022	Washer	1
25	197400014	Washer	1
26	S8A3103013	Washer 6	1
27	197400020	Collar	1
28	197400021	Washer	1
29	197480000	Looper holder	(1)
30	197400008	Spring	1
31	197480004	Spring	1
32	197480005	Spring	1
33	197480006	Bushing	1
34	197480007	Bushing	1
35	S150220019	Screw M4 x 8	1
36	B18061432	Screw M6 x 14	1
37	S150220019	Screw M4 x 8	2
38	B18061432	Screw M6 x 14	1
39	S150220004	Screw M5 x 14	2
40	B12400432	Screw M4 x 4	2
41	B12500532	Screw M5 x 5	7
42	197400025	O-type ring 6 x 1	1
43	S150866019	Needle bearing K25 x 29 x 13	2
44	S150866008	Bearing 81101(AXK12 x 26 x 8)	1
45	016500015	E-type ring 5	1
46	S150649003	E-type ring 8	1
47	197490004	C-type ring	2



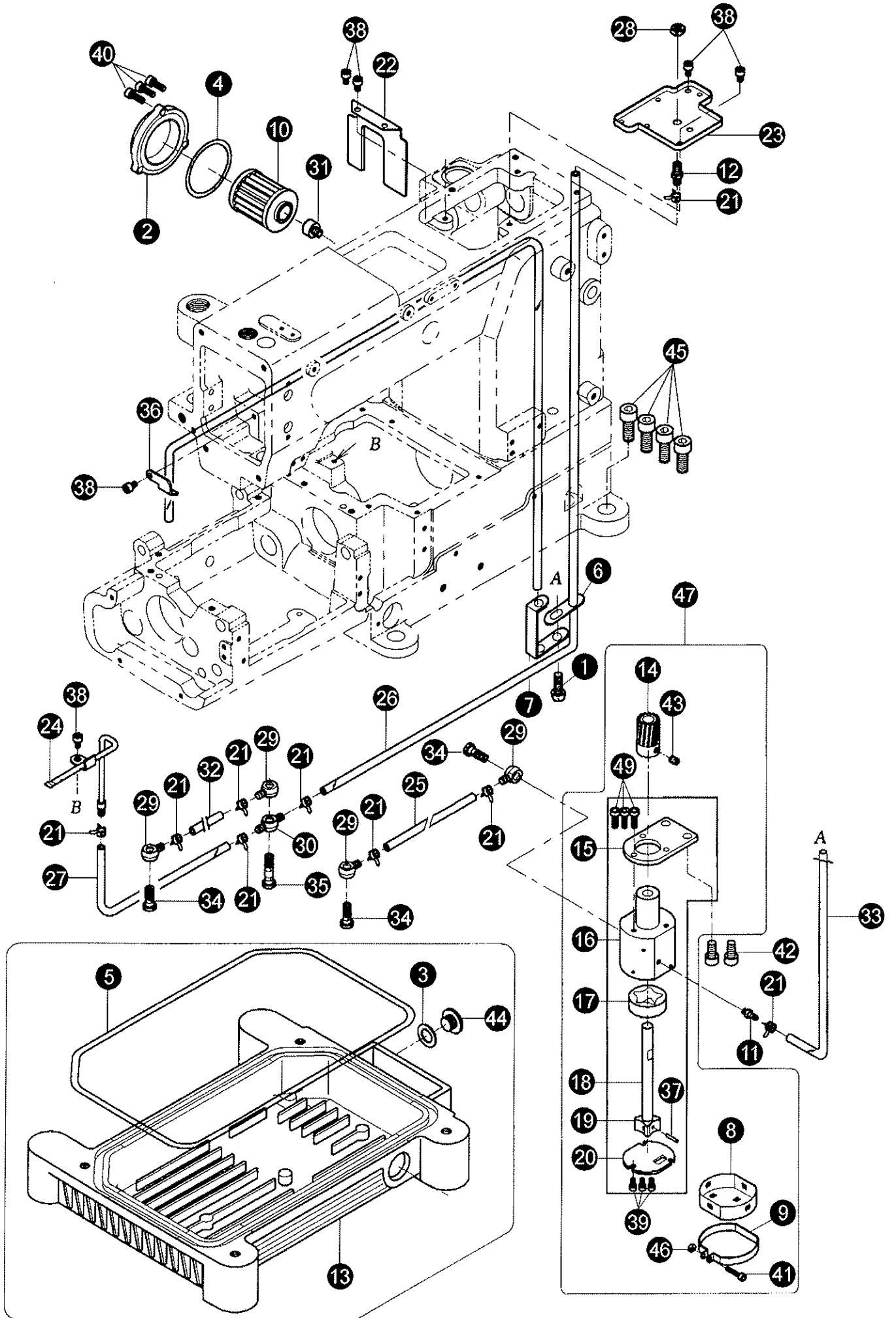
9 . PRESSER FOOT MECHANISM

No.	Ref. No.	Description	Qt.
1	S150446023	Pin 3 x 28	1
2	043600005	Oil fence	1
3	008600018	Pin	1
4	197620002	Shaft	1
5	197600003	Washer	1
6	008310001	Washer 6	2
7	110400006	Collar	1
8	197630002	Pin	2
9	197630001	Lever	1
10	197640001	Presser bar slide block	1
11	197640002	Plate	1
12	197600001	Presser bar lever	1
13	197630003	Lever	1
14	197631000	Crank asm.	1
15	197640003	Crank, front	1
16	197610001	Crank, rear	1
17	197600006	Stopper	1
18	197600008	Slide block guide	1
19	197600011	Spring	1
20	197600004	Spring	1
21	197600005	Spring	1
22	197600010	Spring	1
23	197620001	Shaft	1
24	B18401622	Screw M4 x 16	2
25	197630005	Screw	2
26	197730005	Screw	1
27	197730008	Nut	1
28	S150220041	Screw M4 x 10	3
29	S150204002	Screw M5 x 10	1
30	S150220042	Screw M6 x 10	2
31	S150220007	Screw M5 x 10	1
32	B12400432	Screw M4 x 4	2
33	197650001	Screw	1
34	197600002	Shaft	1
35	110610002	Nut	1
36	S4B1202008	E-type ring 4	2
37	197600009	Presser bar	1



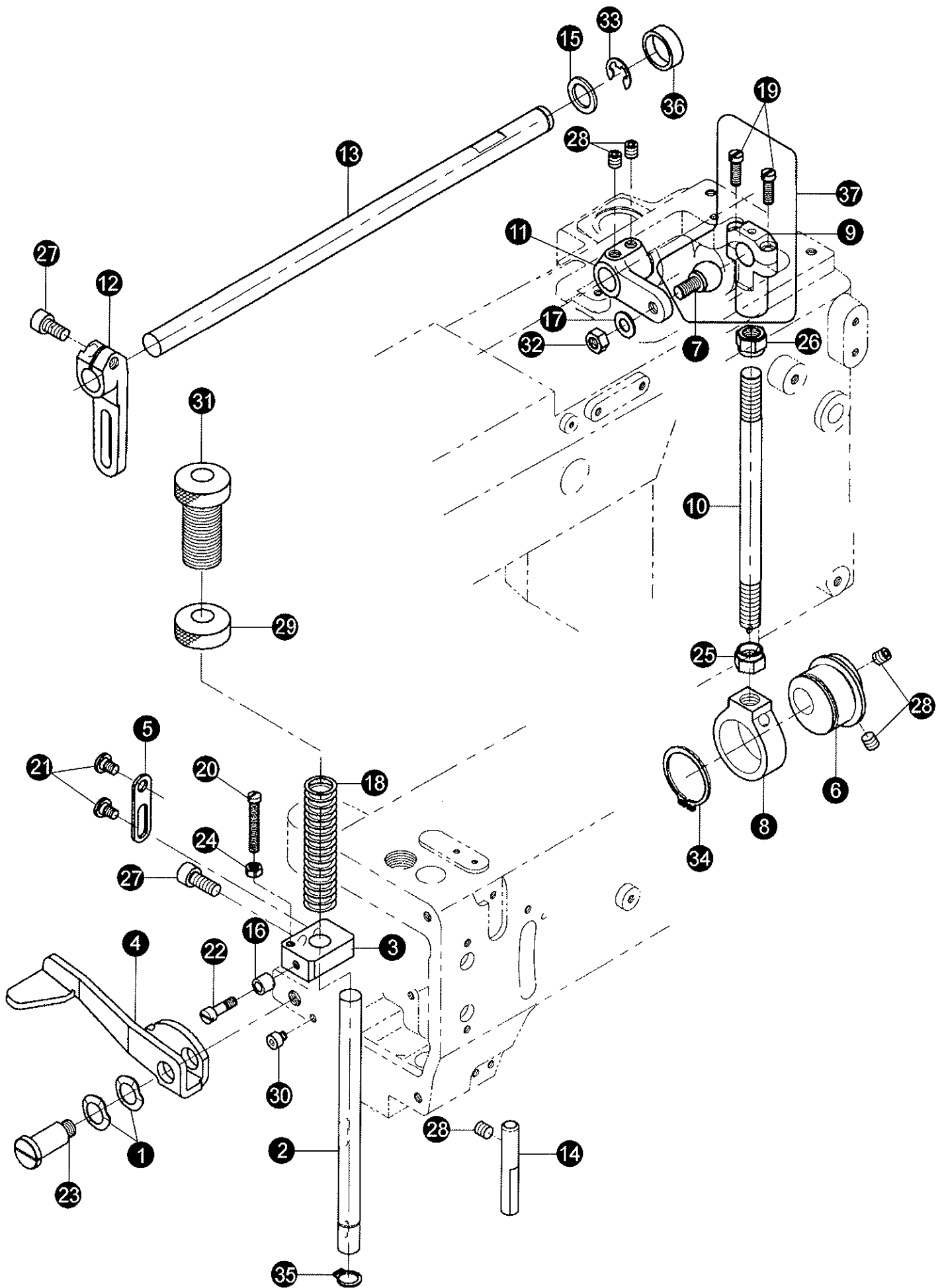
10. LUBRICATION MECHANISM

No.	Ref. No.	Description	Qt.
1	S120203033	Screw M4 x 6	1
2	028700023	Oil filter cover	1
3	110310004	Seal ring	1
4	S8A3107004	O-type ring (GB1235-85)	1
5	197900002	Seal ring	1
6	110300014	Oil tube clamp	1
7	116300015	Oil tube clamp	1
8	197910006	Oil filter mesh	1
9	197910007	Collar	1
10	028770001	Oil filter asm.	(1)
11	197900009	Nozzle	1
12	197900004	Nozzle	1
13	197900001	Oil reservoir	1
14	197910001	Pump gear	1
15	197910003	Set plate	1
16	197910002	Pump	1
17	197910004	Outer gear	1
18	197911001	Pump shaft	1
19	197911002	Inner gear	2
20	197910005	Cover	1
21	110300012	Oil tube clamp	9
22	197900015	Oil fence	1
23	197900003	Oil releaser	1
24	197920000	Oil tube	(1)
25	197900005	Oil tube	1
26	197900005	Oil tube	1
27	197900005	Oil tube	1
28	S120501011	Nut M6	1
29	110340002	Joint	4
30	110340001	Joint	1
31	028700022	Screw	1
32	197900005	Oil tube	1
33	197900005	Oil tube	1
34	197900008	Screw	3
35	197900007	Screw	1
36	197900006	Tube holder	1
37	S150446024	Pin 2 x 11.8	1
38	S120203031	Screw M4 x 5	6
39	B60300612	Screw M3 x 6	3
40	B60401412	Screw (GB818-85)	3
41	S15022029	Screw M3 x 15	1
42	B18061432	Screw M6 x 14	2
43	B12500532	Screw M5 x 5	2
44	028700026	Screw	1
45	S150220043	Screw M8 x 16	4
46	S120501001	Nut M3	1
47	197910000	Oil pump asm.	(1)
49	S150220002	Screw M4 x 12	3



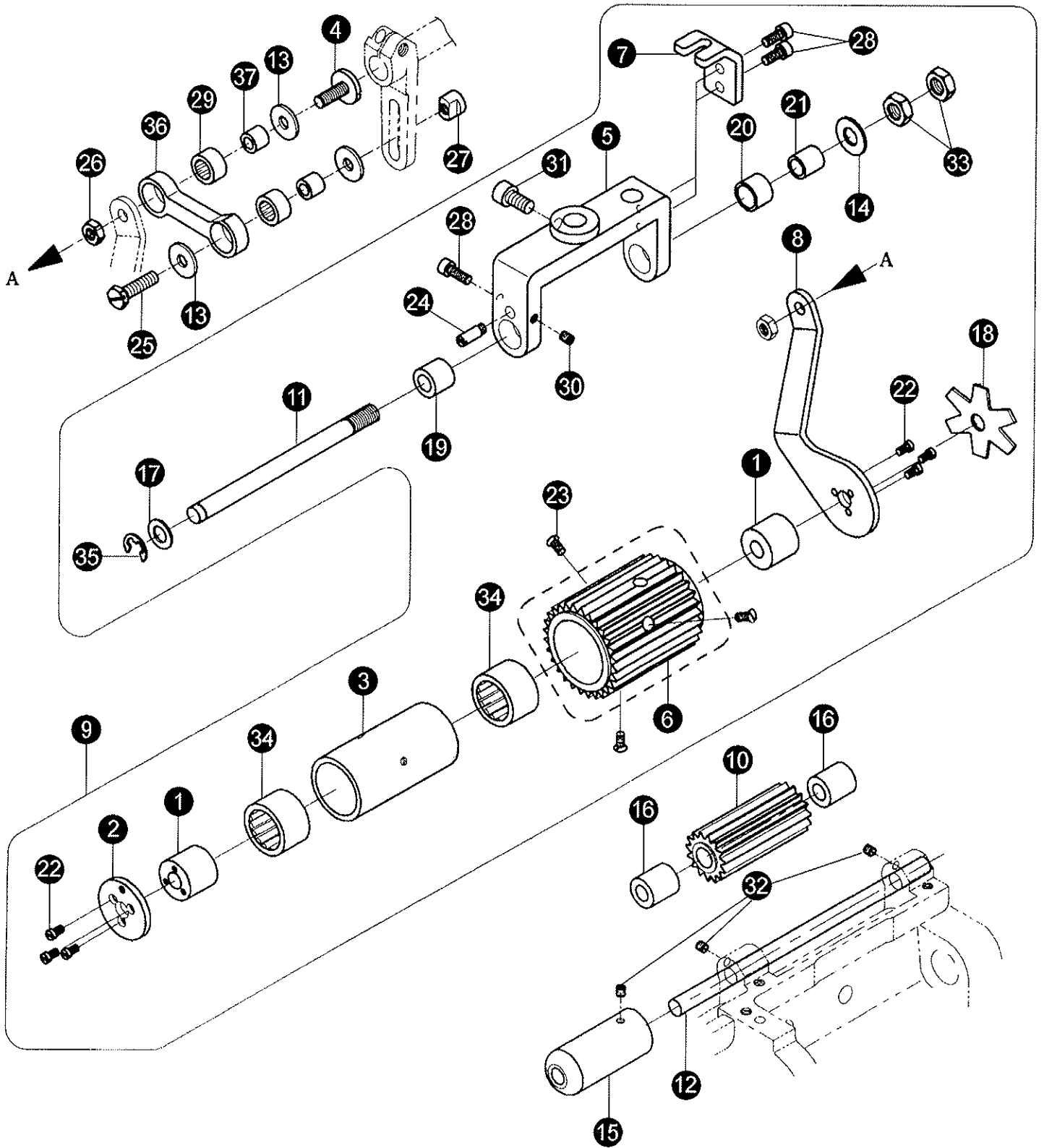
11. REAR PULLEY MECHANISM (1)

No.	Ref. No.	Description	Qt.
1	197150002	Washer 12	2
2	197700001	Presser bar	1
3	197710001	Lifter block	1
4	197700004	Lever	1
5	197630004	Lifter plate	1
6	197740003	Puller driving eccentric	1
7	197741001	Ball joint	1
8	197740004	Connecting bar	1
9	197422001	Ball joint	(1)
10	197740002	Connecting bar	1
11	197740001	Crank, right	1
12	197730001	Crank, left	1
13	197700011	Shaft	1
14	197700006	Stopper	1
15	197700012	Washer	1
16	197710002	Roll pole	1
17	1102a0006	Washer	1
18	197700003	Spring	1
19	197422004	Screw SM11/64"(4.37) x 40 x 14	2
20	197710004	Screw SM11/64" x 40 x 30	1
21	197630005	Screw	2
22	197710003	Screw	1
23	197700005	Pin	1
24	028100035	Nut SM11/64"(4.37) x 40	1
25	190550002	Nut	1
26	190550004	Nut	1
27	B18061432	Screw M6 x 14	2
28	B12060632	Screw M6 x 6	5
29	197700013	Nut	1
30	B18401622	Screw M4 x 16	1
31	197700002	Nut	1
32	S120501011	Nut M6	1
33	S4A1002010	E-type ring 9	1
34	S150649007	Collar 28	1
35	S150649002	E-type ring 10	1
36	197100013	Rubber plug	(1)
37	197741000	Ball joint asm.	1



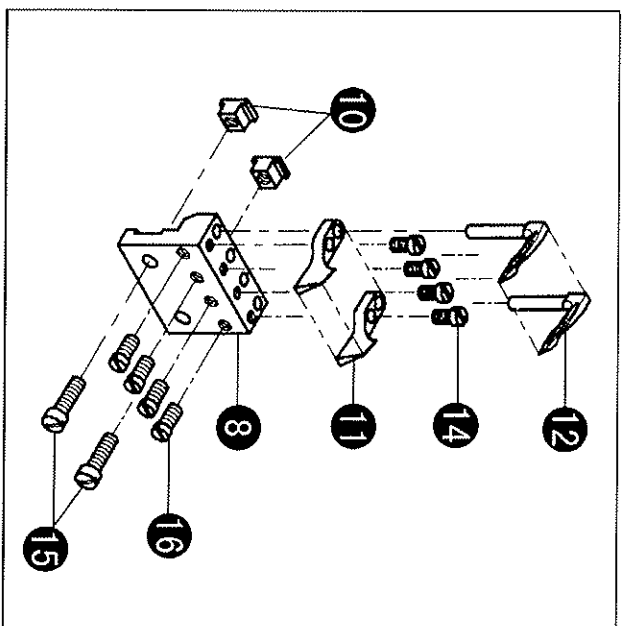
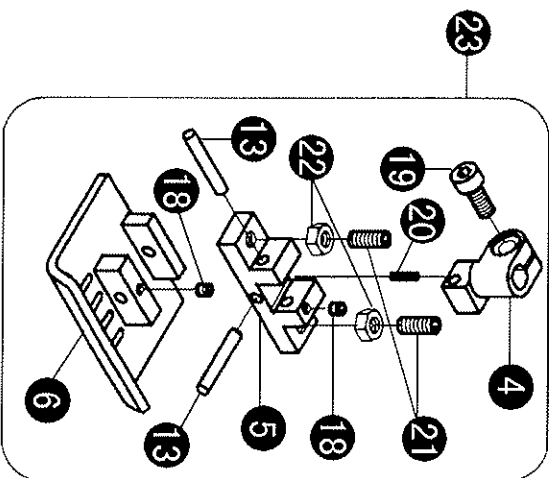
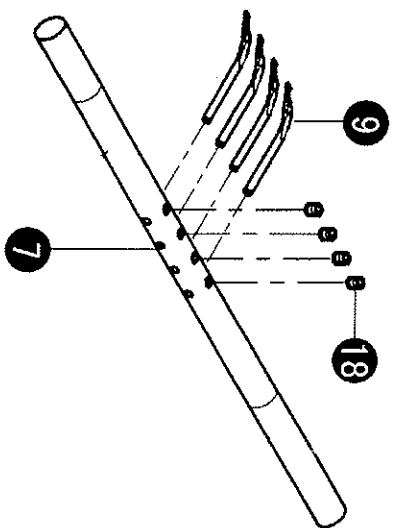
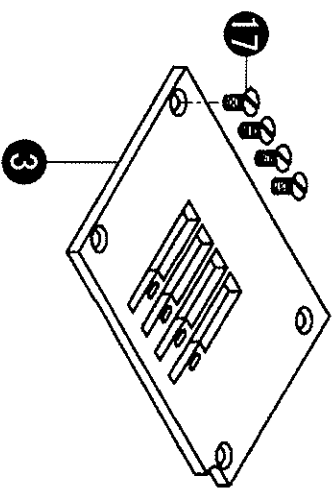
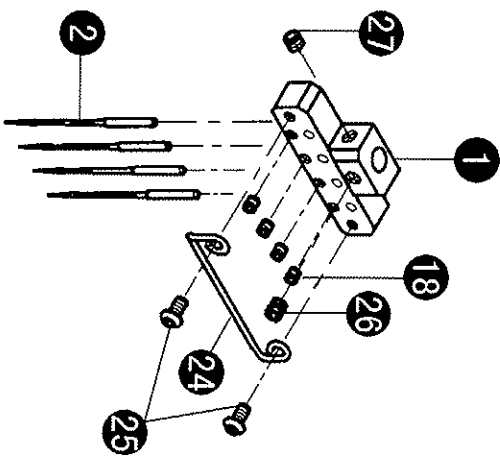
12. REAR PULLEY MECHANISM (2)

No.	Ref. No.	Description	Qt.
1	197720006	Sleeve	2
2	197720012	Stopper	1
3	197720005	Sleeve	1
4	197730007	Screw	1
5	197720001	Rear pulley Holder	1
6	197720003	Rear pulley	1
7	197720014	Stopper	1
8	197720011	Connecting plate	1
9	197720000	Rear pulley bracket asm.	(1)
10	197700007	Rear pulley gear	1
11	197720002	Shaft	1
12	197700009	Shaft	1
13	197730004	Washer	2
14	197720015	Washer	1
15	197700010	Guide collar	1
16	197700008	Sleeve	2
17	110E10003	Washer	1
18	197720010	Pulley plate spring	1
19	197720007	Bushing	1
20	197720008	Bushing	1
21	197720009	Bushing	1
22	197720016	Screw SM1/8"(3.18) x 44 x 6	6
23	197720004	Screw	3
24	197720013	Pin	1
25	197730005	Screw	1
26	197730008	Nut SM7/32"(5.56)×32	2
27	197730006	Slide block	1
28	S150220002	Screw M4 x 12	3
29	S150866049	Needle bearing K9.65 x 14.3 x 8	2
30	B12400432	Screw M4 x 4	1
31	S15022042	Screw M6 x 10	1
32	B12400432	Screw M4 x 4	3
33	S150560005	Nut M8	2
34	S150866045	Bearing HFL2026	2
35	S8A3103018	E-type ring 6	1
36	197730002	Lever	1
37	197730003	Bearing sleeve	2



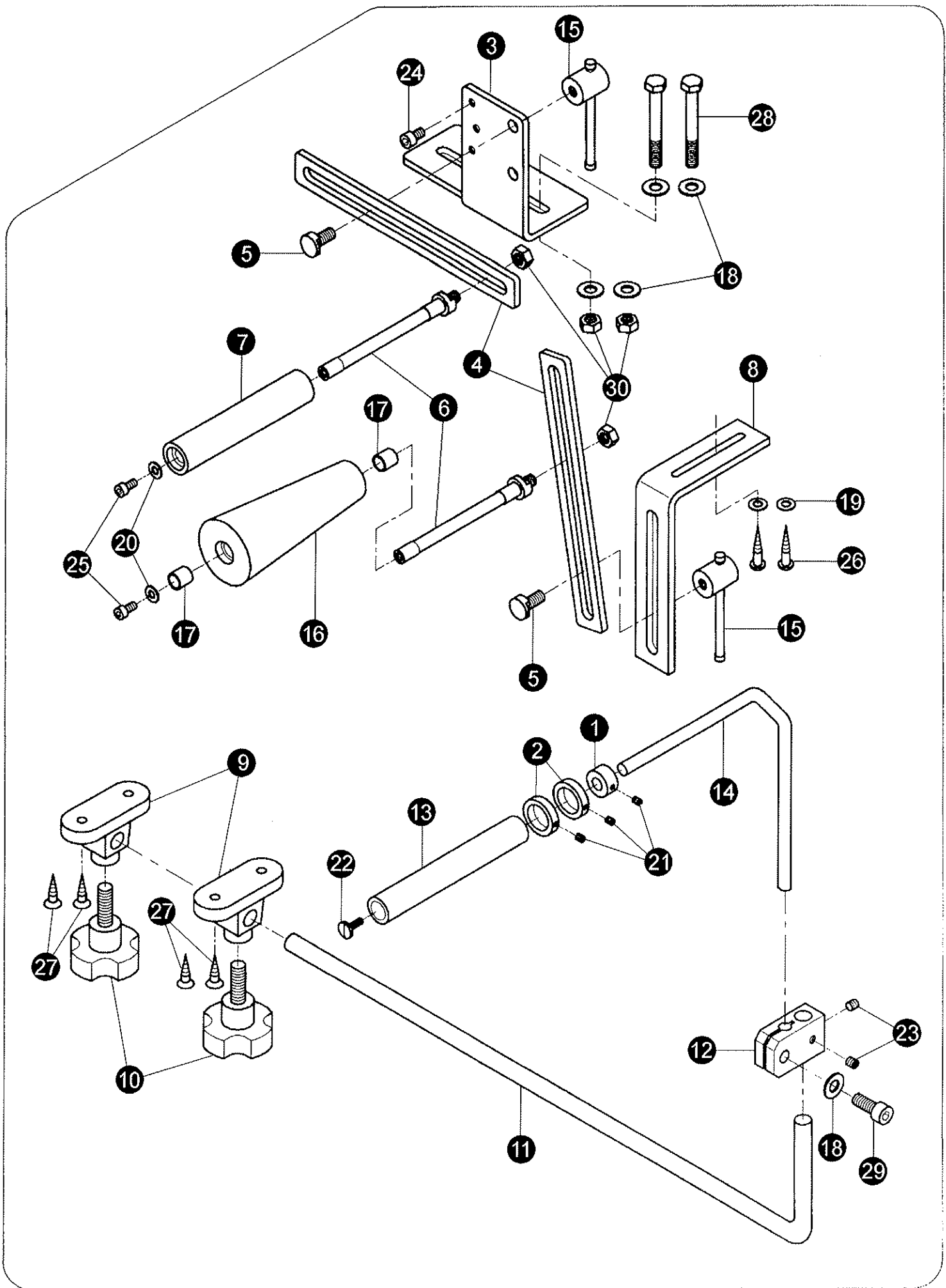
13. GAUGE PARTS

No.	Ref. No.	Description	Qt.
1	197320002	Needle clamp	1
2	S150901005	Needle DV x 57 14	4
3	197100024	Throat plate	1
4	197660001	Presser foot connector	1
5	197660003	Presser foot connecting plate	1
6	197661000	Presser foot bottom	1
7	197400024	Retainer holder	1
8	197480009	Looper holder	1
9	197400026	Retainer looper	4
10	197480008	Bracket	2
11	197480010	Needle guard	4
12	197480011	Looper	4
13	19766004	Pin	2
14	197480014	Screw SM1/8"(3.18) x 44 x 6	4
15	197480013	Screw SM9/64"(3.57) x 40 x 11.5	2
16	197480012	Screw SM9/64"(3.57) x 40 x 7	4
17	110400023	Screw	4
18	S150224001	Screw M3 x 3	10
19	S150220041	Screw M4 x 10	1
20	197660002	Spring	1
21	S150224019	Screw M4 x 10	2
22	S120501003	Nut M4	2
23	197660000	Presser foot asm.	1
24	197320001	Thread guide	1
25	B60300612	Screw M3 x 6	2
26	S150225002	Screw M4 x 4	1
27	B12400432	Screw M4 x 4	1



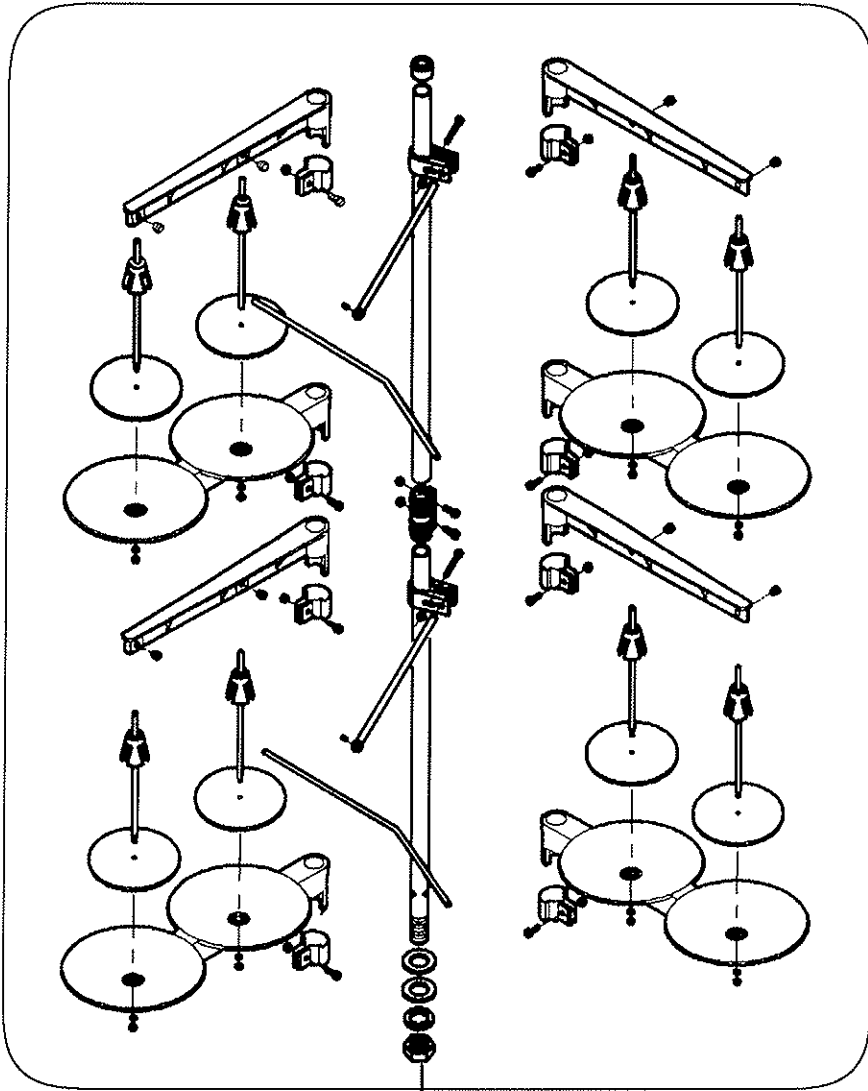
14. GUIDE ROLLER MECHANISM

No.	Ref. No.	Description	Qt.
1	197F01303	Collar	1
2	197F01302	Collar	2
3	197F01006	Rear roller bracket	1
4	197F01103	Slide plate	2
5	197F01009	Screw	2
6	197F01102	Shaft	2
7	197F01101	Rear guide roller	1
8	197F01007	Bracket	1
9	197F01401	Bracket	2
10	197F01402	Knob	2
11	197F01008	Support pole	1
12	197F01010	Connecting	1
13	197F01301	Roller	1
14	197F01304	Shaft	1
15	197F01500	Handle asm.	2
16	197F01211	Tape roller	1
17	197F01212	Bushing	2
18	S150632003	Washer 8	5
19	S150632002	Washer 6	2
20	S8A3103006	Washer 5	2
21	S150224009	Screw M4 x 6	3
22	110150007	Screw	1
23	S150224003	Screw M6 x 8	2
24	S150220032	Screw M6 x 10	1
25	S150220015	Screw M5 x 12	2
26	S150241007	Wood screw 6 x 30	2
27	W050101020	Wood screw 6 x 30	4
28	S150274004	Screw M8 x 65	2
29	S150220006	Screw M8 x 20	1
30	W120501017	Nut M8	4



15. THREAD STAND AND TABLE

No.	Ref. No.	Description	Qt.
1	197X0000	GXJ-8 Thread stand asm.	1
2	110F01002	Cushion rubber	4
3	S8A3103018	E-type ring 6	4
4	197F01003	Bolt	4
5	S150632002	Washer 6	4
6	S4A0400011	Washer 6	4
7	S120501011	Nut 6	4
8	W050101015	Wood screw 5 x 18	3
9	197F01002	Lower Belt cover	1
10	197F01005	Table	1



1

