

# The specification of G5 ( the fifth generation ) highbay



Product Name	100W LED High bay light
Part No:	100WPLG
Certificate	ETL/DLC/TUV/CE/CB/RCM/RoHS



## Electrical Data

Input Voltage	AC100-240V/AC100-277V	Input Frequency	50/60HZ	Input Power	100W ±10%
Input Current	Max1.4A/Max1.5A	THD	<20% (AC230V)	PF	>0.9

## Optical Data

LED	SMD 2835	LED Type	Samsung	Driver	LIFUD/MOSO
System Efficacy	130Lm/W	Luminous Flux	13000Lm	CCT	4000K/5000K/5700K/6500K
Beam Angle	35°, 60°, 90°, 120°	CRI	≥80	SDCM	≤5

## Structure Data

Outlook dimensions	Φ260*140mm	Fixture Material	ADC12	Ingress Protection	IP65
--------------------	------------	------------------	-------	--------------------	------

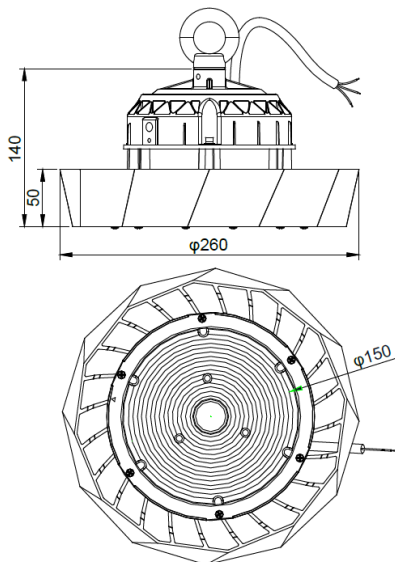
## Others

Package Size	L310*W310*H175mm	Storage Temperature	-40~+70°C	Net Weight	2.61Kg±0.5/2.42Kg±0.5
Operating Humidity	15-90%RH	Operating Temperature	-30~+50°C	Gross Weight	3.41Kg±0.5/3.22Kg±0.5
UV Protection	Class II (Ultraviolet aging for 72hours)	Corrosion Protection	Spray painting protection and Stainless steel protection		
Protection Class	Class I				
Life span	> 50000Hrs (Ta=30°C @LM70)				
Reliability	100% guarantee to light up the products at least for 4 hours' aging test under the temperature condition of 30+/-5°C				
	Continuous work for 50000 cycles under the condition of ON 30 sec/OFF 30 sec Input voltage				

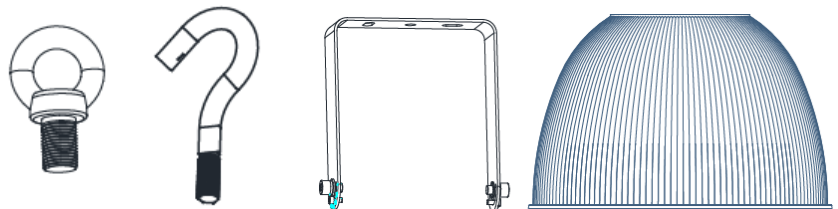
## Optional Info

Installation Method	by Ring / by Chain / by hook / by Bracket (Ceiling Mounting/Wall Mounting)
Intelligent Control	Motion Snsor / Daylight Sensor / PIR Sensor /1-10V Dimming Control /DALL Control /Zigbee Control

## Dimension



## Optional Accessories



## Light Distribution

