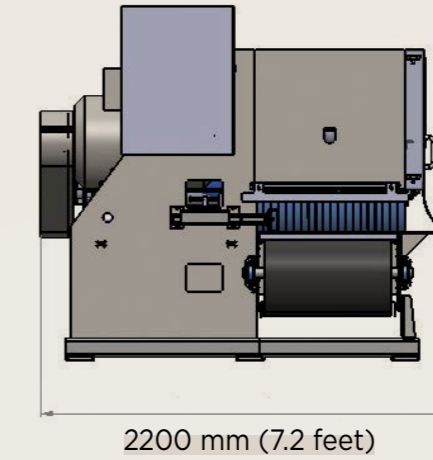
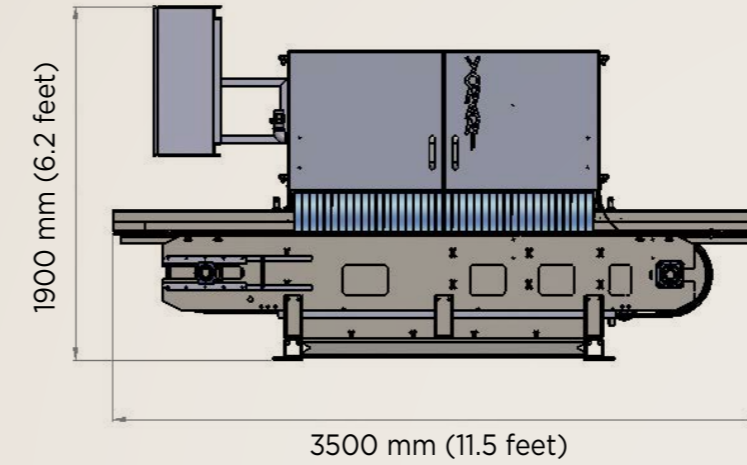




MultiPro

Ledge/Stack Stones, Ashlar, Pavers,
Tiles, Baseboards, Cobblestones...

Option: 32" (800mm) Blades.



MultiPro Technical Specifications	Imperial	Metric
Arbor Driven motor	75 HP	75 HP
Required power	100amps, 3 phase ,480 V	100amps, 3 phase ,400 V
Arbor Diameter	3.15"	80 mm
Blade diameter	20" ~ 24"	500 mm - 600 mm
Max cutting depth	8"	200 mm
Max stone width	24"	600 mm
Variable conveyor speed	0 - 7 ft /min	0 - 2.1 meter/ minute
Possible Blades per Spindle	12	12
*Standard Spindle RPM	800	800
*Subjected to customer request		
Machine body	Galvanized	Galvanized
Blade Cover	Stainless Steel	Stainless Steel
water consumption	3 gallon/ min - per blade	12 liter / min - per blade
Total weight approximately	11,000 lbs	5 MT