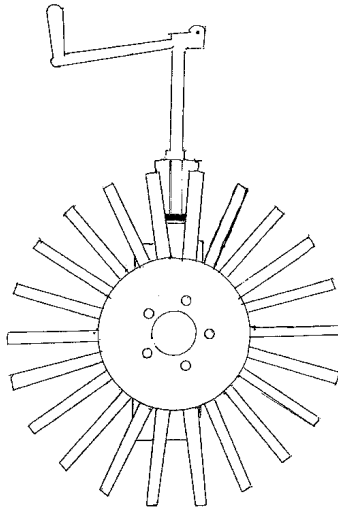
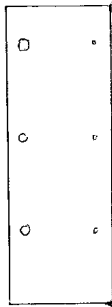


EASY GRADE DEPTH GAUGE WHEEL - PARTS LIST

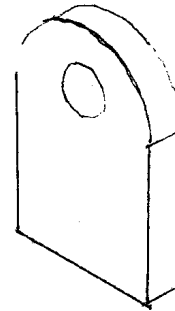


1. Part #1001 - Bolt / weld on mounting plate.

L - Bracket w/welded nut for adjuster plate.



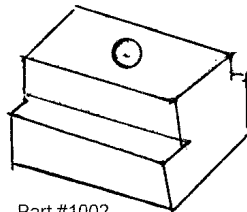
Mounting Plate



Bracket
C-Channel w/Slot
for Thrust Nuts

2. Part #1002 - Fully threaded T-thrust nut (1" threaded dia).

Part #1002B - Bolt - diameter 1" x 2" long, coarse thread.



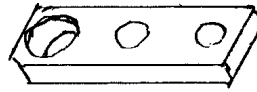
Part #1002



Part #1002B

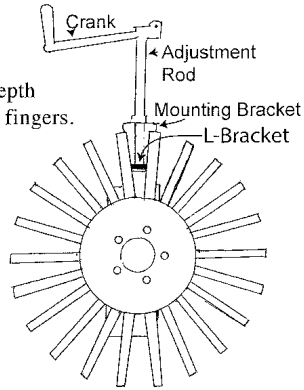
Serial # _____

3. Part #1003 - Spindle bracket with 1750 lb. 5 bolt hub.
Holes for 1" bolt (part #1002B).

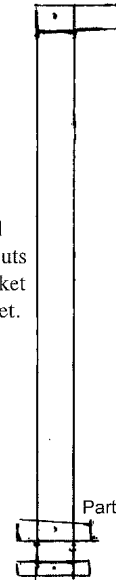


Part #1003

4. Part #1004 - Depth gauge wheel with fingers.

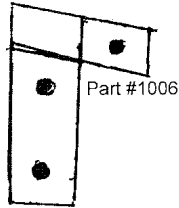


5. Part #1005 - All thread 1" x 16" with 2 roll pin nuts and crank mounting bracket and folding handle bracket.



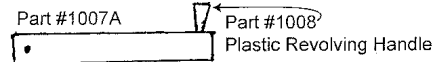
Part #1005

6. Part #1006 - Adjuster screw anchor plate, holes for 1" bolt (part #1002B).



Part #1006

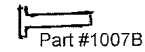
7. Part #1007A - Tapered handle. Part #1007B Bolt 1 - 1-1/2" x 2-1/2" w/ Lock nut.



Part #1007A

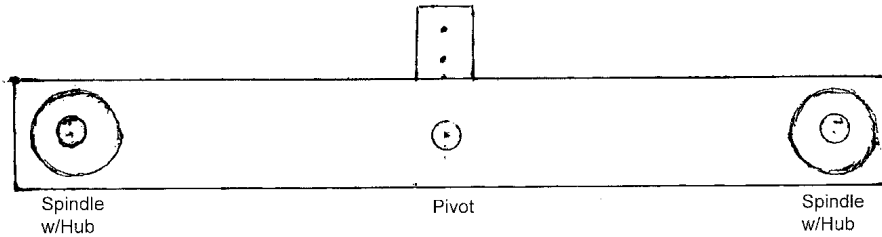
Part #1007B
Plastic Revolving Handle

8. Part #1008 - Plastic Revolving Handle.



Part #1007B

9. *Optional * Part #1009 - Balance Beam / w/Double Hubs / w/Bracket
Replaces Part #1003 - Used w/ Single Hub



Spindle
w/Hub

Pivot

Spindle
w/Hub

10. *Optional * Part #1010 - Bolt on Mounting Kit (Grade #8 Hardware)
Includes: bolts, nuts, flat & lock washers
11. *Optional * Part #1011 - Wrench & Mounting Kit (Grade #8 Hardware)
Includes: wrench, metal brackets, bolts, flat/lock washers & clips.
12. *Optional * Part #1012 - Box Blade Wing R.H. w/ Bolt Kit
L.H. w/ Bolt Kit