

# Lexmark MX410 Series Monochrome Laser Multifunction Printer

Versatile. Quick. Solutions-Capable.

The Lexmark MX410 Series MFP does more than save time with its fast processor, print, copy and scan speeds, it provides productivity solutions that help streamline your business. This system is ideal for small to medium workgroups.



Up to 38  
ppm



10.9-cm (4.3-  
inch) Touch  
Screen



Direct USB



Solutions

Unison™  
TONER



MX410de

## Get More Done. Fast.

Now you can achieve more in less time. Smoother workflows and faster speeds are just some of the great features that will help propel your business forwards.

**Faster Processing** - Improve your print, scan and copy speeds by taking advantage of up to 2.5 GB of upgradable memory, an 800 MHz dual-core processor and Gigabit Ethernet.

**Reliable Performance** - Easily print up to 10,000 pages per month, plus enjoy fewer maintenance hassles, thanks to our state-of-the-art paper handling.

**Keep Jobs Moving** - With a maximum input capacity of up to 850 sheets and an extra high yield toner cartridge, you won't have to add paper or change cartridges as often.

**Get Work Done Quickly** - Enjoy print speeds up to 38 pages per minute, plus print or copy your first page in as little as 6.5 seconds.

## Professional Results. No Training Required.

Look sharp from the start. Our multifunction printer with its easy-to-use touch screen and impressive speed lets you power through any print job quickly.

**Smart and Easy to Use** - A 10.9-cm (4.3-inch) colour touch screen provides access to pre-installed productivity solutions and operates through smart and intuitive navigation.

**Front USB Port** - Print without a PC using our convenient USB port that lets you walk up, preview and print PDFs and many other file formats.

**Print on a Wide Range of Media** - With built-in two-sided printing and the ability to print on diverse materials, you can do more for your business and use less paper.

**Innovative Toner That Optimises Performance** - Get greater system performance with Lexmark's Unison™ Toner, which delivers consistent image quality from first print to last.

## Smart Workflows. Sustainable Design.

Quickly respond to changing business needs with our eco-friendly printers that streamline your workflow.

**Work Smarter Not Harder** - If you can use mobile phone applications, you can use our pre-loaded solutions. Touch the screen and access shortcuts that let you scan, print or send faxes, emails and other business-critical documents fast.

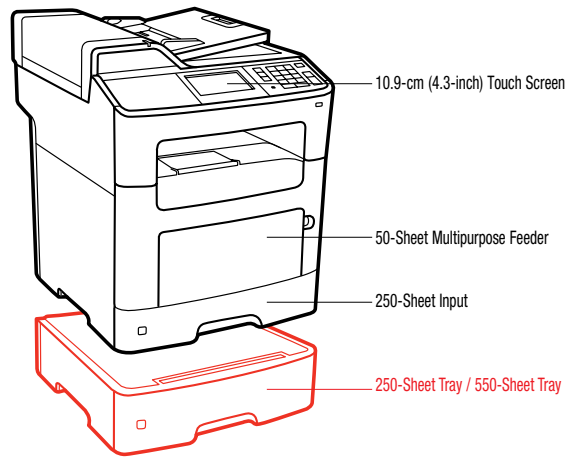
**Save Resources and the Planet** - With pre-installed solutions like Eco-copy, as well as Forms and Favourites, you can print only the forms you need, saving toner, paper and the environment.

**Enjoy Enterprise-level Security** - Now you can authenticate, authorise and audit employee usage. Plus, protect sensitive data using standard network security protocols.

**Print Anytime and Anywhere<sup>6</sup>** - With this system, you can print from desktops as well as mobile devices that can run applications.

LEXMARK  
TM

# Lexmark MX410 Series Monochrome Laser Multifunction Printer



Standard  
 Optional

## Product specifications

### Lexmark MX410de

Product specifications		Lexmark MX410de
<b>Printing</b>		
Function		Printing, Network Scanning, Faxing, Copying, Colour Scanning
Display		Lexmark e-Task 10.9 cm (4.3-inch) colour touch screen
Print Speed: Up to <sup>4</sup>		Black: 38 ppm
Time to First Page: As fast as		Black: 6.5 seconds
Print Resolution		Black: 600 x 600 dpi, 1200 Image Quality, 2400 Image Quality, 1200 x 1200 dpi
Memory / Processor		Standard: 512 MB / Maximum: 2560 MB / Processor: Dual Core, 800 MHz
Hard Disk		Not Available
Recommended Monthly Page Volume <sup>2</sup>		750 - 10000 pages
Maximum Monthly Duty Cycle: Up to <sup>3</sup>		80000 pages per month
<b>Copying</b>		
Copy Speed: Up to <sup>4</sup>		Black: 38 cpm
Time to First Copy: As fast as		Black: 6.5 seconds
<b>Colour Scanning</b>		
Scanner Type / ADF Scan		Flatbed scanner with ADF / RADF (reversing Duplex) / 50 pages 75 gsm bond
Duplex Scan Speed: Up to		A4/Ltr, Black: 18 / 19 sides per minute - A4/Ltr, Colour: 8 / 8 sides per minute
Simplex Scan Speed: Up to		A4/Ltr, Black: 42 / 43 sides per minute - A4/Ltr, Colour: 19 / 20 sides per minute
Optical Scanning Resolution		1200 X 600 ppi (black), 600 X 600 ppi (colour)
<b>Faxing</b>		
Modem Speed		ITU T.30, V.34 Half-Duplex, 33.6 Kbps
<b>Supplies<sup>5</sup></b>		
Laser Cartridge Yields		10,000 <sup>1</sup> -page High Yield Cartridge, 2,500 <sup>1</sup> -page Cartridge
Imaging Unit Estimated Yield: Up to		60000 pages, based on 3 average letter/A4-size pages per print job and ~ 5% coverage
Cartridge(s) Shipping with Product		5,000 <sup>1</sup> -page Starter Return Program Toner Cartridge
<b>Paper Handling</b>		
Included Paper Handling		Integrated Duplex, 250-Sheet Input, 50-Sheet Multipurpose Feeder, 150-Sheet Output Bin
Optional Paper Handling		550-Sheet Tray, 250-Sheet Tray
Paper Input Capacity: Up to		Standard: 300 pages 75 gsm bond / Maximum: 850 pages 75 gsm bond
Paper Output Capacity: Up to		Standard: 150 pages 75 gsm bond / Maximum: 150 pages 75 gsm bond
Media Types Supported		Refer to the Card Stock & Label Guide, Plain Paper, Envelopes, Card Stock, Paper Labels, Transparencies
Media Sizes Supported		A6, Oficio, Universal, Statement, Folio, DL Envelope, A4, 7 3/4 Envelope, 10 Envelope, 9 Envelope, A5, Executive, JIS-B5, Legal, Letter
<b>General</b>		
Connectivity (standard)		Front USB 2.0 Specification Hi-Speed Certified port (Type A), USB 2.0 Specification Hi-Speed Certified (Type B), Gigabit Ethernet (10/100/1000)
Optional Network Ports / Optional Local Ports		MarkNet N8352 802.11b/g/n Wireless
Noise Level, Operating		Print: 55 dBA / Copy: 55 dBA / Scan: 55 dBA
Product Guarantee		1-Year Onsite Service
Size (mm. - H x W x D) / Weight (kg)		468 x 399 x 472 mm / 20.0 kg

<sup>1</sup> Average standard page yield value declared in accordance with ISO/IEC 19752. <sup>2</sup> "Maximum Monthly Duty Cycle" is defined as the maximum number of pages a device could deliver in a month using a multishift operation. This metric provides a comparison of robustness in relation to other Lexmark printers and MFPs. <sup>3</sup> "Recommended Monthly Page Volume" is a range of pages that helps customers evaluate Lexmark's product offerings based on the average number of pages customers plan to print on the device each month. Lexmark recommends that the number of pages per month be within the stated range for optimum device performance, based on factors including: supplies replacement intervals, paper loading intervals, speed, and typical customer usage. <sup>4</sup> Print and copy speeds measured in accordance with ISO/IEC 24734 and ISO/IEC 24735 respectively (ESAT). For more information see: [www.lexmark.com/ISOspeeds](http://www.lexmark.com/ISOspeeds). <sup>5</sup> Product functions only with replacement cartridges designed for use in a specific geographical region. See [www.lexmark.com/regions](http://www.lexmark.com/regions) for more details. <sup>6</sup> For more information on Lexmark Mobile Solutions see: [http://www1.lexmark.com/en\\_US/solutions/business-solutions/mobile-print/index.shtml](http://www1.lexmark.com/en_US/solutions/business-solutions/mobile-print/index.shtml)

