

Features

- Accuracy of ± 0.25 F.S to $\pm 0.5\%$ F.S
- Ranges of 0 to 250mH₂O, IP68
- 4-20mA, 0-5V and 0-10V output types
- 12-30 Vdc supply
- Diffused silicon pressure transmitter
- Several special structures for different applications
- Non-polarity two wire current output available
- Lightning Protection type optional
- Reinforced cables
- CE Certification



DT-LS400

Applications

- Deep water level measure
- Hydrological monitoring (Surface and ground water)
- Wastewater treatment
- Muddy liquid level monitoring
- Tank level monitoring
- Irrigation
- Circulating fluid monitoring



DT-LS400WH

Description

The DT-LS400 Series Liquid Level Transmitter is designed for reliable and economic performance. The cables have a high resistance to abrasion, oil, acid and alkali. The series is widely used in wastewater treatment, potable water treatment, surface water (reservoirs/lakes/river) water monitoring, bore/well monitoring and irrigation applications with proven performance. The series complies with CE certification.

Available with automatic temperature compensation and 5 different structures, the DT-LS400 is suitable for a diverse array of applications. It offers high accuracy, a compact structure and long term stability.

LS400 is designed for a variety of submersible applications.
LS400-1 is specially designed for the waste water treatment field.
LS400-2 is specially designed and mainly for concrete mixing.
LS400-WH is mainly used for hydrological monitoring.
LS430 is specially designed for deep well level measurement.

The DT-LS400 are gauge type pressure sensors that compensate for atmospheric pressure changes through the use of a vent tube in the cable. Accessories, including cable clamps and vent tube junction boxes are available for specific installation requirements.

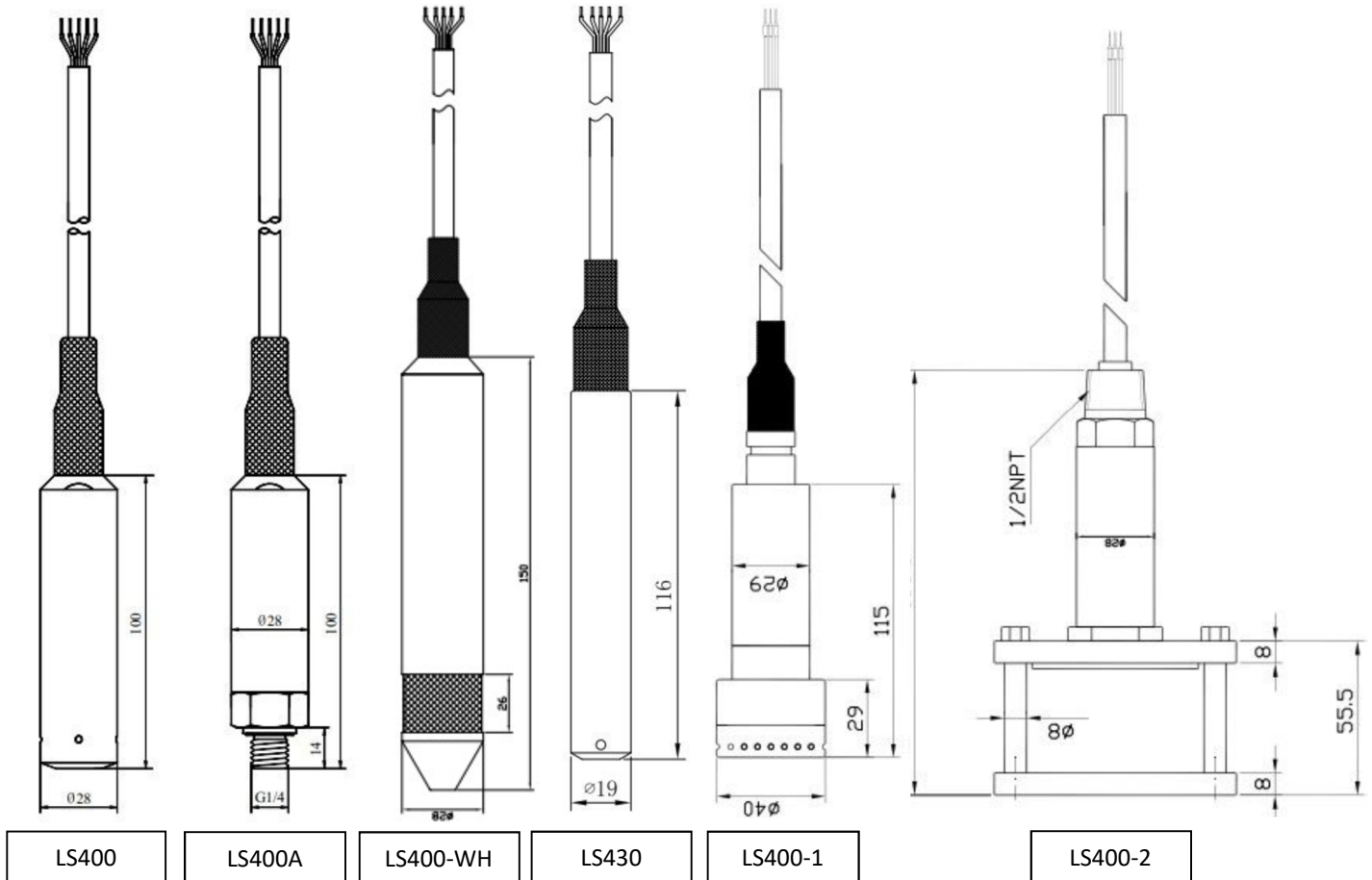


DT-LS400-1

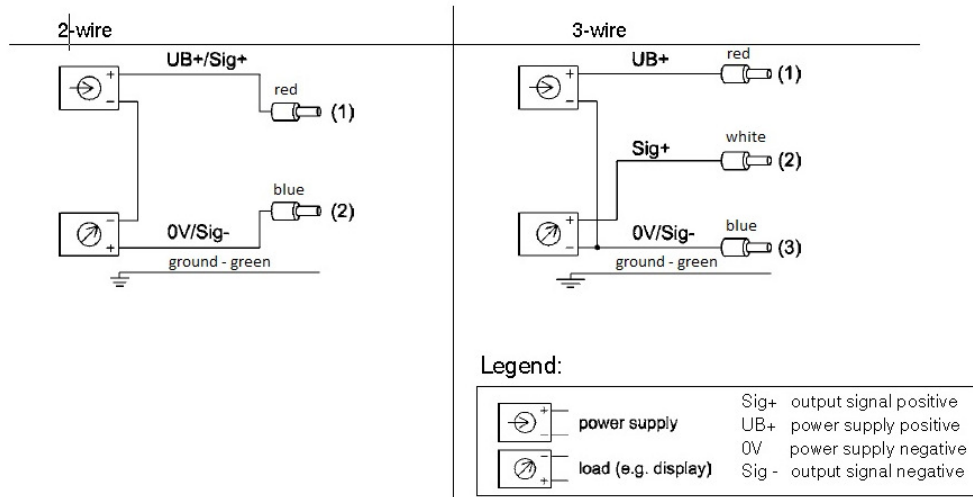


DT-LS400-2

Dimensions



Wiring Diagram (Typical)



DT-LS400 Series Datasheet

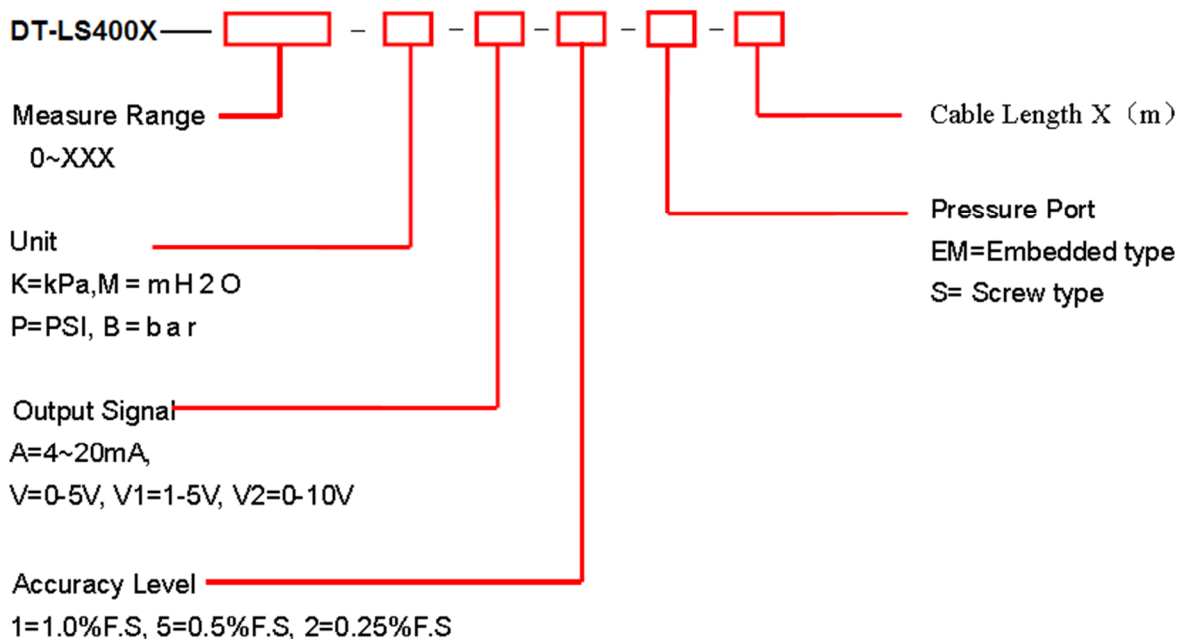
Submersible Liquid Level Transmitters

DAYTECH

Technical Specifications

Parameter	Value			Note
Measurement Range	0-250mH ₂ O			
Maximum Pressure	1.5×RP(rated pressure)			
Burst Pressure	3.0×RP(rated pressure)			
Accuracy	±1.0%F.S, ±0.5%F.S, ±0.25%F.S			
Operating Temperature	- 40°C~+85°C			
Sensing element compensation temperature	-10°C~70°C			
Media Compatibility	Corrosive medium compatible with Cr18Ni9Ti and 316L			
Wires	Two-wire	Three -wire		
Output Signal	4~20mA	0/1-5Vdc	0-10Vdc	
Power Supply	12~30Vdc	12~30Vdc	12~30Vdc	
Load	(U-10)/0.02 (Ω)	>100kΩ		
Insulation	> 100M Ω@50V			
Electrical connector	Five level protection. IP68			
Pressure Port	G1/4, Embedded type			
Response Time	10ms			
Pressure Form	Gauge G			
Compliance Certification	RoHS, CE			
EMC	EMI:EN50081-1/-2; EMS: EN50082-2			

Selection Guide



Daytech Pty Ltd

Measurement and Control Technology for the Process and Environmental Industries.

www.daytech.io

sales@daytech.io