




Two Explorers LLC
812 East Hwy 17
Republic, MO. 65
(417) 861-3377

2XS12-170

Terminal Torque

8.0 Nm/71 in-lb

Solar Battery

Capacity

12V 182 AH, C/20 to 1.8VPC @ 25 C
12V 181 AH, C/100 to 1.8VPC @ 25 C

Float Voltage

2.35VPC @ 20C (68 F)
2.35VPC @ 25C (77F)

+ (1) 417-861-3377
<http://www.batterynneeds.com>



Not recommended for inverted operation.
Must be recycled or disposed of properly.

NONSPILLABLE

Made in USA

2XS12-170AH

2XS12-170AH

Nominal Technical Specifications

Dimensions

Height 320 mm - 12.59 inches

Width 125 mm - 4.92 inches

Length 560 mm - 22.04 inches

Weight 60 kg - 132.27 pounds

Electrical

Terminal Female M8 x 1.25

Terminal torque 8.0 Nm (71 in-lbs)

20 hr capacity to

1.80VPC @ 25C (77F) 182 Ah

100 hr capacity to

1.80VPC @ 25C (77F) 181 Ah

Float voltage

@ 20/25C (68/77F) 2.35 /2.35 VPC

Impedance (1Khz) 2.1 m Ω @ 25 C (77 F)

Conductance 2380 S

Short circuit current (A) 6000 A

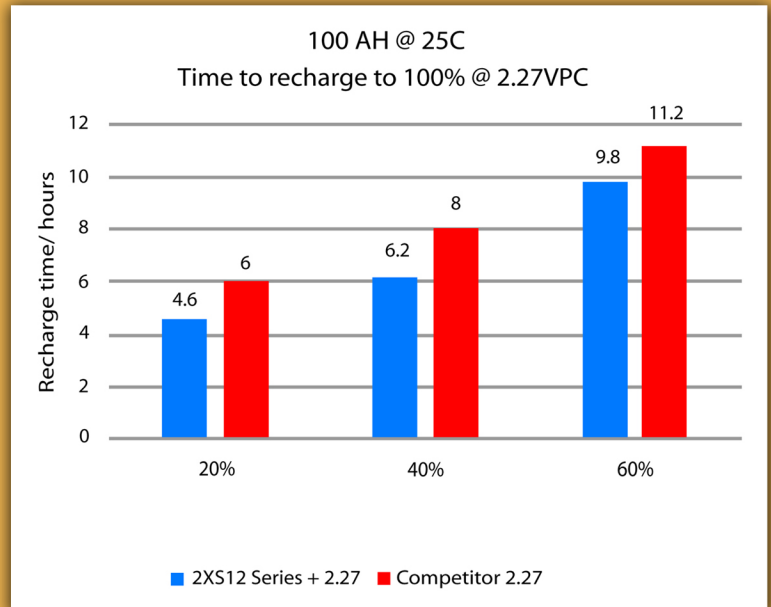
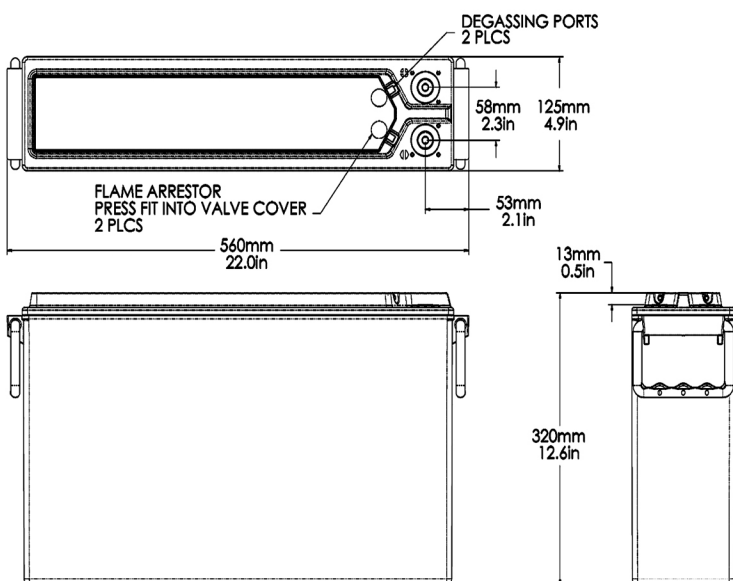
Maximum charge current (A) No Limit

Operation temperature range

(C) -40°C to +65°C

Nominal voltage 12 V

Technical Drawing



- Exceptional PSoC cyclic performance
- Design life 15+ years at 20°C (68°F)
- Ultra fast recharge
- Shelf life of up to 24 months
- Lead carbon added to negative electrodes increases power and reduces sulfation
- High potential fuel savings when used with hybrid genset applications
- Operating temperature range -40°C to +65°C (-40°F to 149°F)
- State-of-the-art automated manufacturing ensures consistency and reliability
- Advanced 3 stage terminal design to ensure leak-free operation - brass terminals provide maximum performance
- High modulus Polyphenylene Oxide (PPO) plastic materials designed to withstand extended elevated operating temperatures and maintain high battery compression essential for reliable operation.
- Non-halogenated thermally sealed plastic casing approved as non-hazardous cargo for ground, sea and air transport; DOT 49CFR173.159(d), (i) and (ii).

Two Explorers LLC
812 East Hwy 174
Republic, MO. 65738
(417) 861-3377

www.batteryneeds.com