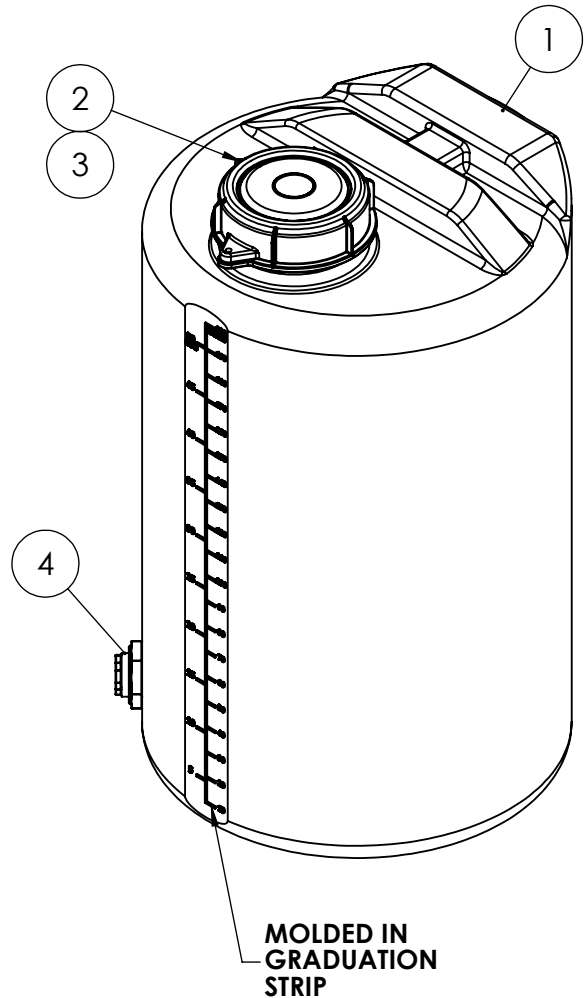
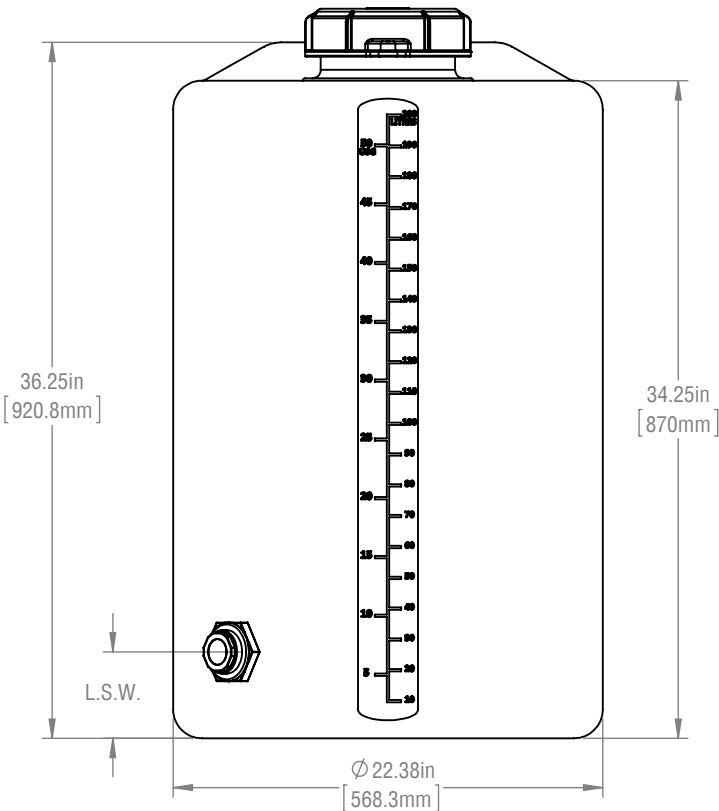
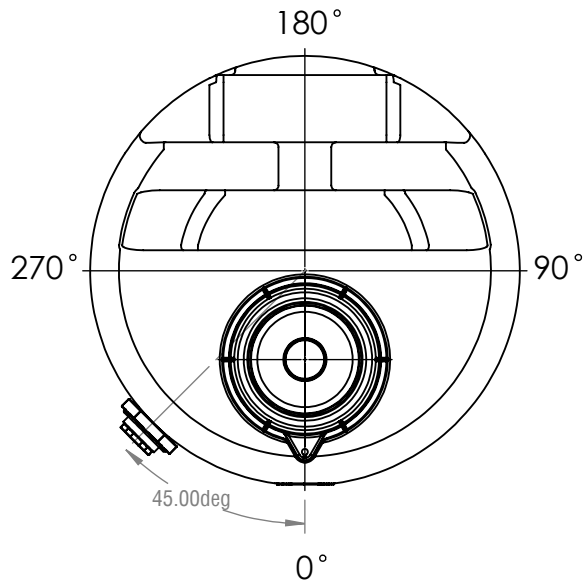


| ITEM | MDPE/QTY. | DESCRIPTION | PART NUMBER | MATERIAL |
|------|-----------|-----------------------|-------------------|----------|
| 1 | 1 | VST-44TB @ 1.9 S.G. | 1039-02239T-00-00 | 00 MDPE |
| 2 | 1 | 6" SCREW CAP | 9707-016000-80-10 | 10 HDPE |
| 3 | 1 | 6" SCREW CAP GASKET | 9707-056000-00-65 | 65 EPDM |
| 4 | 1 | 1.0" [25 MM] BULKHEAD | 9702-011000-65-02 | PVC/EPDM |



- NOTES:
 1) REFER TO PLAN VIEW FOR FITTING ORIENTATION
 2) ALL TRIMMED EDGES ARE ROUNDED OFF
 3) ALL DIMENSIONS ARE APPROXIMATE
 4) CAPACITY 44 IG (50 USG/200 L)

FAILURE TO PROVIDE ADEQUATE PROVISIONS FOR TANK EXPANSION/CONTRACTION AT FITTINGS WILL VOID ALL WARRANTIES.

****TANK AVAILABLE IN 00 MDPE ONLY.**

| REVISIONS | | |
|-----------|--------------------|------------|
| REV. | DESCRIPTION | DATE |
| 00 | KP - UPDATED NOTES | 07/06/2016 |

FINAL APPROVED DRAWING CUSTOMER:..... DATE:.....



RTS PLASTICS
 1027 INDUSTRIAL PLACE,
 ST. CLEMENTS, ONTARIO, CANADA
 T:800-663-2803 F: 519-699-0027
 2900 INDUSTRIAL PARK DRIVE,
 AUSTINBURG, OHIO, U.S.A.
 T:888-641-3077 F:440-275-3080

TOLERANCES UNLESS OTHERWISE STATED: X.X ±3% X.XX ±2% X.XXX ±1% ANGULAR ±3%

TITLE: **44 IG (50 USG) AG TANK**

PART NUMBER: **1070-12239A-00-00**
 CUSTOMER: **RTS COMPANIES INC.**
 DRAWN BY: **DTH**
 MATERIAL: **00 MDPE**

REVISION: **00**
 PROJECT: **AG**
 DATE: **Oct 16, 2013**
 WEIGHT: **---**