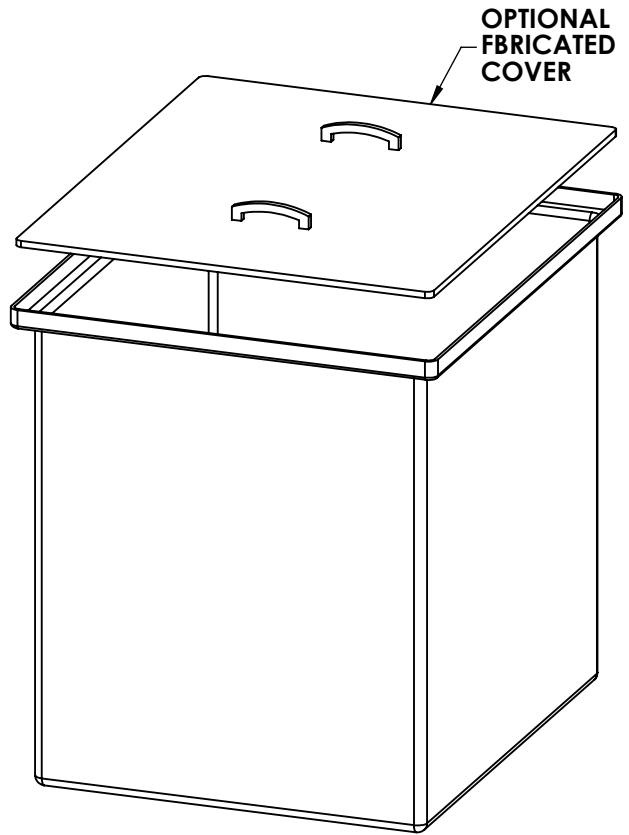
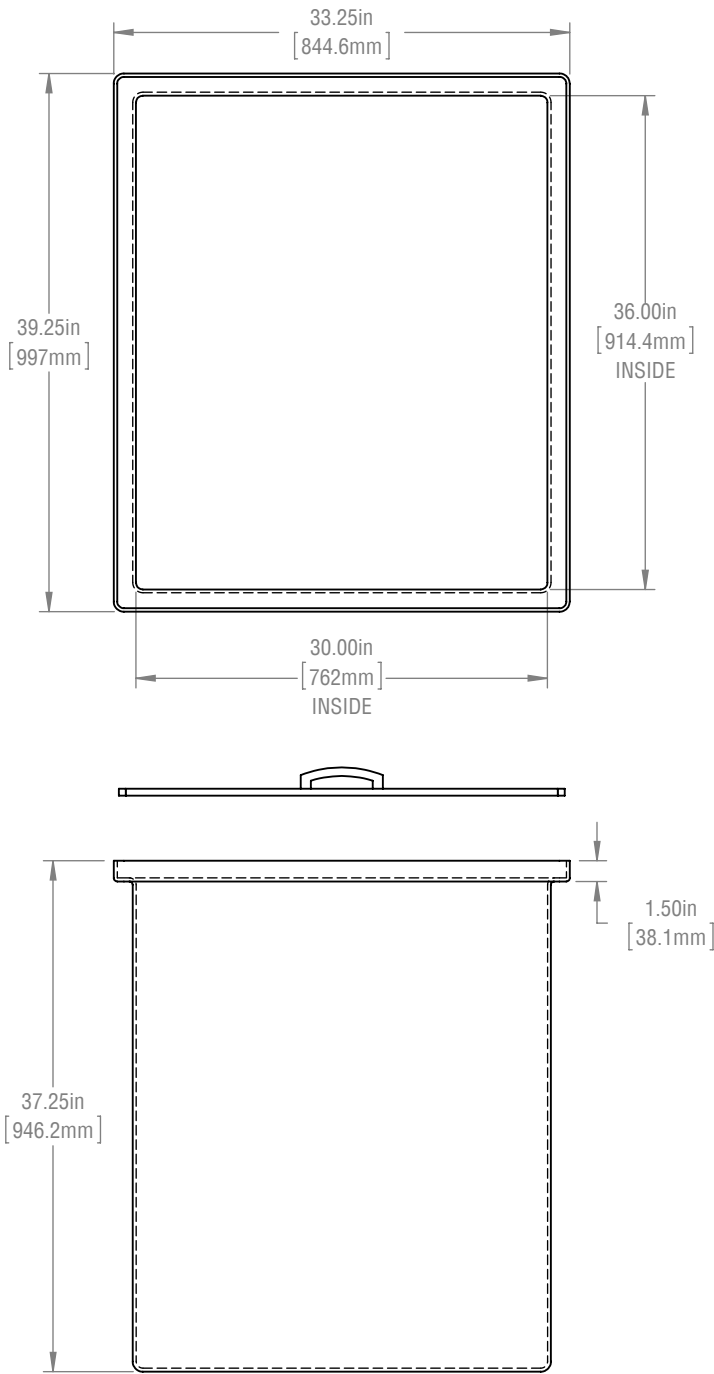


ITEM	QTY.	DESCRIPTION	PART NUMBER	MATERIAL
1	1	RT-140 I.G. @ 1.9 S.G.	1049-36306T-00-xx	PE
2	1	36" x 30" RT FABRICATED LID	1050-83630N-00-10	10 HDPE



- NOTES:  
 1) REFER TO PLAN VIEW FOR FITTING ORIENTATION  
 2) ALL TRIMMED EDGES ARE ROUNDED OFF  
 3) ALL DIMENSIONS ARE APPROXIMATE  
 4) CAPACITY 140 IG (168 USG/635 L)

FAILURE TO PROVIDE ADEQUATE PROVISIONS FOR TANK EXPANSION/CONTRACTION AT FITTINGS WILL VOID ALL WARRANTIES.

**\*\*TANK AVAILABLE IN 00 MDPE OR 10 HDPE\*\***

REVISIONS		
REV.	DESCRIPTION	DATE
01	KP - UPDATED PART NUMBERS	07/08/2015

FINAL APPROVED DRAWING CUSTOMER:..... DATE:.....



**RTS PLASTICS**  
 1027 INDUSTRIAL PLACE,  
 ST. CLEMENTS, ONTARIO, CANADA  
 T:800-663-2803 F: 519-699-0027  
 2900 INDUSTRIAL PARK DRIVE,  
 AUSTINBURG, OHIO, U.S.A.  
 T:888-641-3077 F:440-275-3080

TOLERANCES UNLESS OTHERWISE STATED: X.X ±3% X.XX ±2% X.XXX ±1% ANGULAR ±3%

TITLE: **RT-140 I.G. @ 1.9 S.G.**

PART NUMBER: **1049-36306T-00-xx**  
 CUSTOMER: **RTS COMPANIES INC.**  
 DRAWN BY: **DTH**  
 MATERIAL: **PE**

REVISION: **01**  
 PROJECT: **RT**  
 DATE: **Feb 26, 2014**  
 WEIGHT: **---**