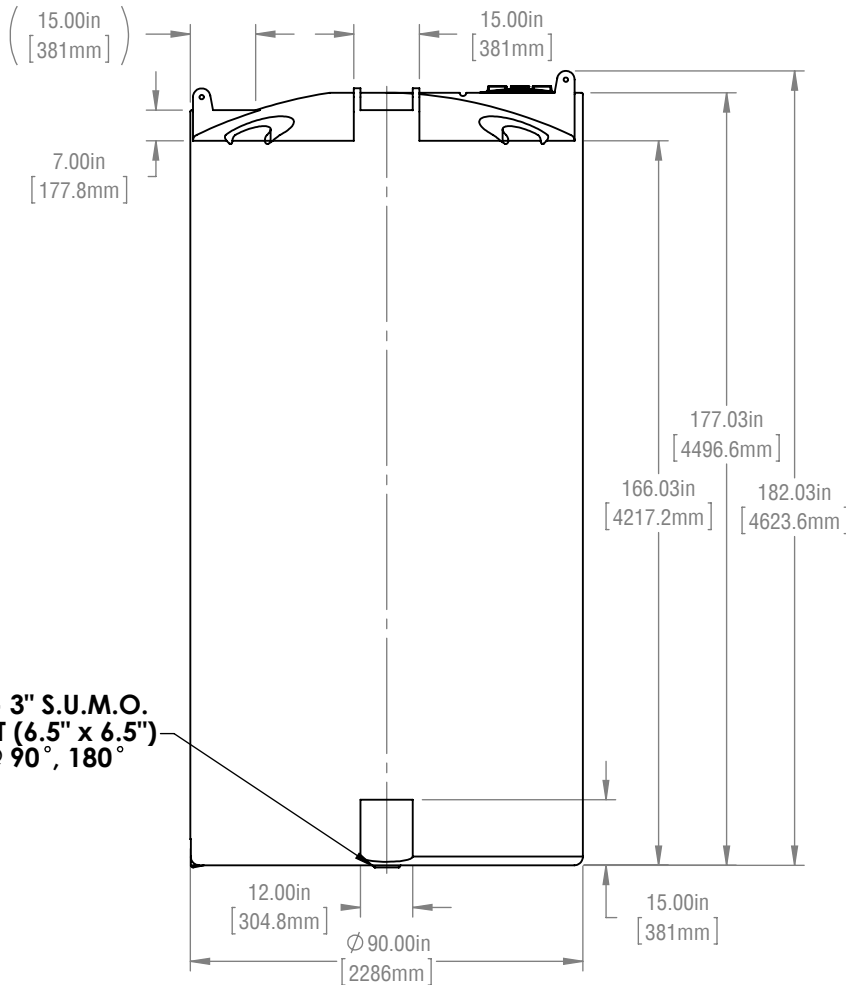
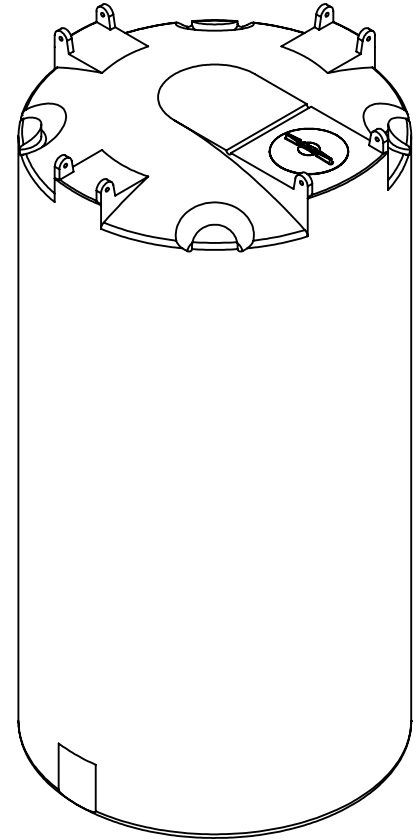
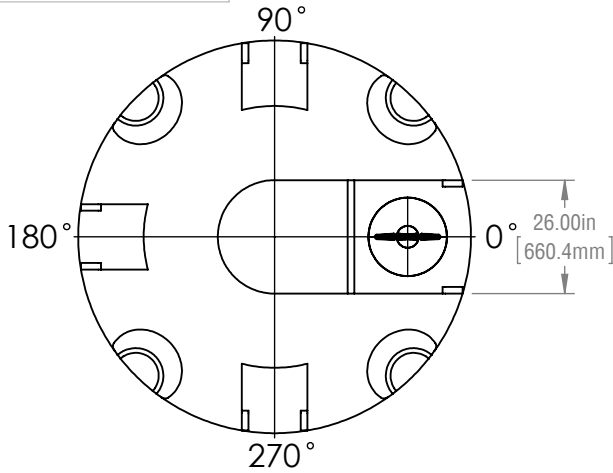


ITEM	QTY.	DESCRIPTION	PART NUMBER	MATERIAL
1	1	VST-3700 I.G. @ 1.5 S.G.	1215-003700-00-xx	PE
2	1	18" THREADED MANWAY w/ 15 ACCESS	9707-240150-80-00	PE



2" - 3" S.U.M.O.
FLAT (6.5" x 6.5")
@ 90°, 180°

- NOTES:
- 1) REFER TO PLAN VIEW FOR FITTING ORIENTATION
 - 2) ALL TRIMMED EDGES ARE ROUNDED OFF
 - 3) ALL DIMENSIONS ARE APPROXIMATE
 - 4) CAPACITY 3660 IG (4400 USG/16,650 L)

FAILURE TO PROVIDE ADEQUATE PROVISIONS FOR TANK EXPANSION/CONTRACTION AT FITTINGS WILL VOID ALL WARRANTIES.

****TANK AVAILABLE IN 09 XPLE OR 10 HDPE****

REVISIONS		
REV.	DESCRIPTION	DATE
01	JS - REVISED PART NUMBER	2016-05-25

FINAL APPROVED DRAWING CUSTOMER:..... DATE:.....



RTS PLASTICS
1027 INDUSTRIAL PLACE, PO Box 179,
ST. CLEMENTS, ONTARIO, CANADA
T:800-663-2803 F: 519-699-0027
2900 INDUSTRIAL PARK DRIVE, PO Box 183,
AUSTINBURG, OHIO, U.S.A.
T:888-641-3077 F:440-275-3080

TOLERANCES UNLESS OTHERWISE STATED: X.X ±3% X.XX ±2% X.XXX ±1% ANGULAR ±3%

TITLE: **VST-3700 I.G. @ 1.5 S.G.**

PART NUMBER: **1215-003700-00-xx**
CUSTOMER: **RTS COMPANIES INC.**
DRAWN BY: **DH**
MATERIAL: **PE**

REVISION: **01**
PROJECT: **VST**
DATE: **Nov 07, 2013**
WEIGHT: **---**