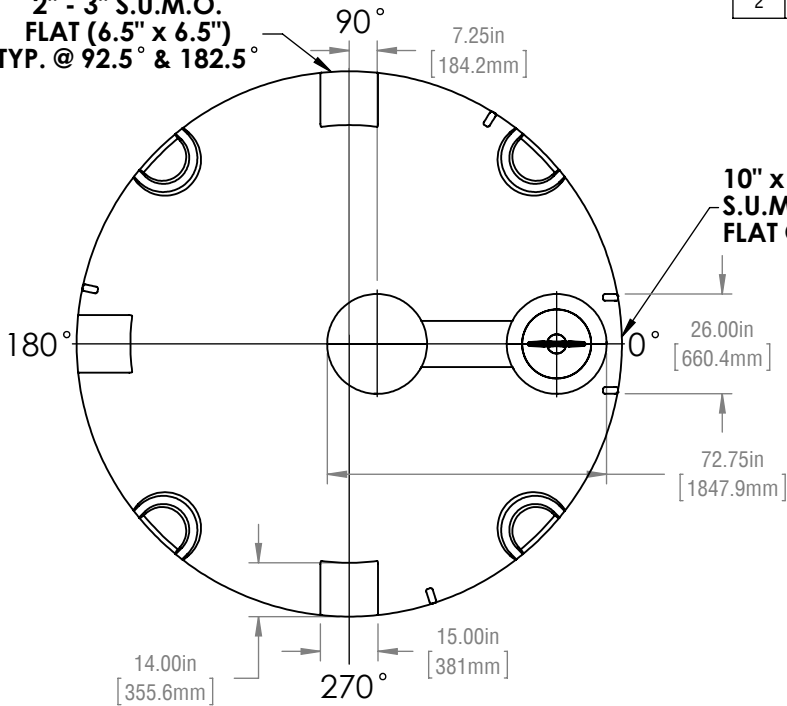
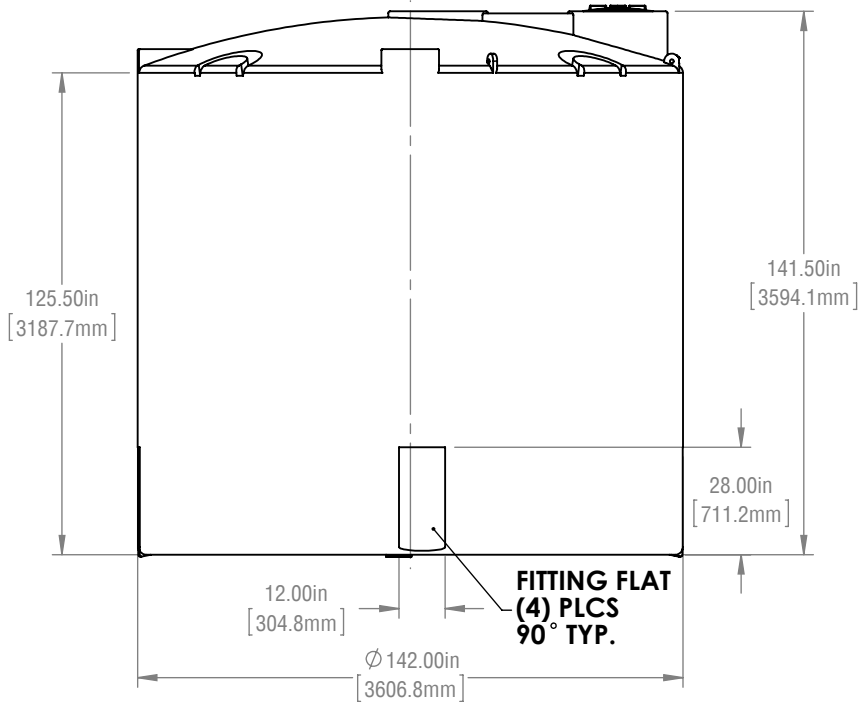
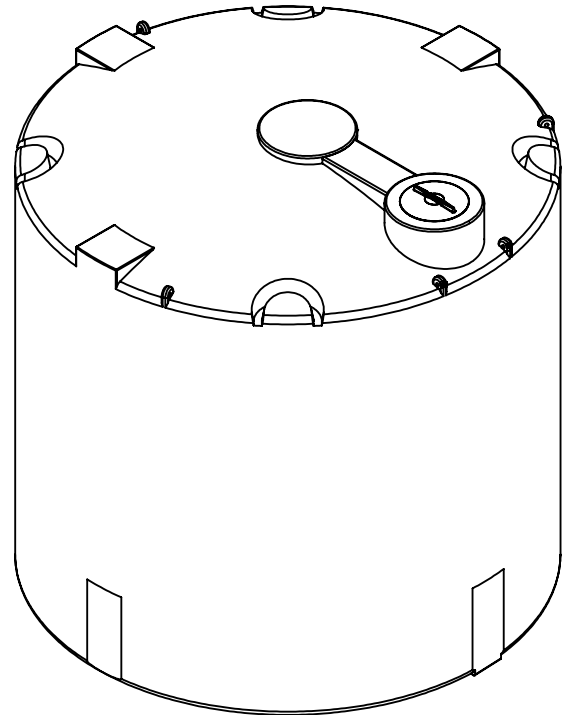


ITEM	QTY.	DESCRIPTION	PART NUMBER	MATERIAL
1	1	VST-7300 I.G. @ 1.5 S.G.	1215-007300-00-xx	PE
2	1	18" THREADED MANWAY w/ 15 ACCESS	9707-240150-80-00	PE

**2" - 3" S.U.M.O.
FLAT (6.5" x 6.5")
TYP. @ 92.5° & 182.5°**



**10" x 10"
S.U.M.O.
FLAT @ 2.5°**



- NOTES:
 1) REFER TO PLAN VIEW FOR FITTING ORIENTATION
 2) ALL TRIMMED EDGES ARE ROUNDED OFF
 3) ALL DIMENSIONS ARE APPROXIMATE
 4) CAPACITY 7300 IG (8750 USG/33,200 L)

FAILURE TO PROVIDE ADEQUATE PROVISIONS FOR TANK EXPANSION/CONTRACTION AT FITTINGS WILL VOID ALL WARRANTIES.

****TANK AVAILABLE IN 09 XPPE OR 10 HDPE****

REVISIONS		
REV.	DESCRIPTION	DATE
01	JS - REVISED PART NUMBER	2016-05-25

FINAL APPROVED DRAWING CUSTOMER:..... DATE:.....



RTS PLASTICS

1027 INDUSTRIAL PLACE, PO Box 179,
 ST. CLEMENTS, ONTARIO, CANADA
 T:800-663-2803 F: 519-699-0027
 2900 INDUSTRIAL PARK DRIVE, PO Box 183,
 AUSTINBURG, OHIO, U.S.A.
 T:888-641-3077 F:440-275-3080

TOLERANCES UNLESS OTHERWISE STATED: X.X ±3% X.XX ±2% X.XXX ±1% ANGULAR ±3%

TITLE: **VST-7300 I.G. @ 1.5 S.G.**

PART NUMBER: **1215-007300-00-xx**
 CUSTOMER: **RTS COMPANIES INC.**
 DRAWN BY: **DH**
 MATERIAL: **PE**

REVISION: **01**
 PROJECT: **VST**
 DATE: **Nov 20, 2013**
 WEIGHT: **---**