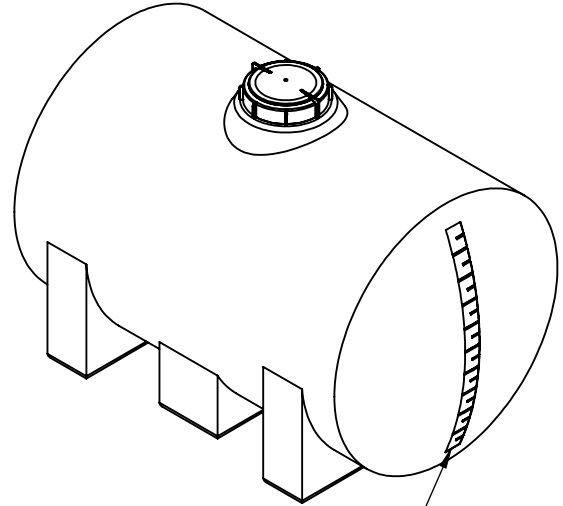
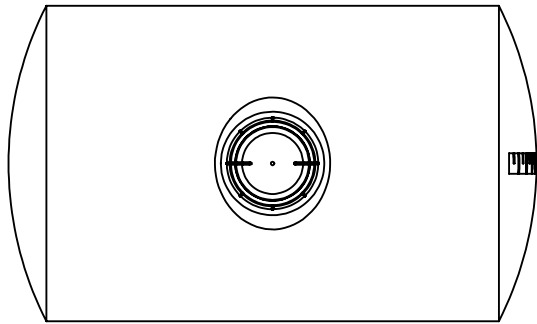
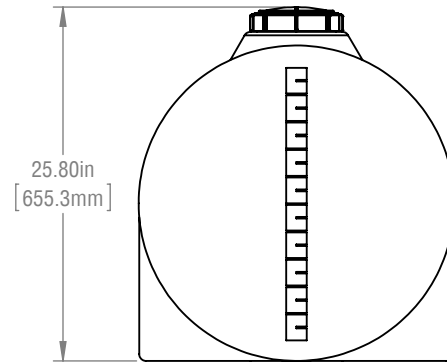
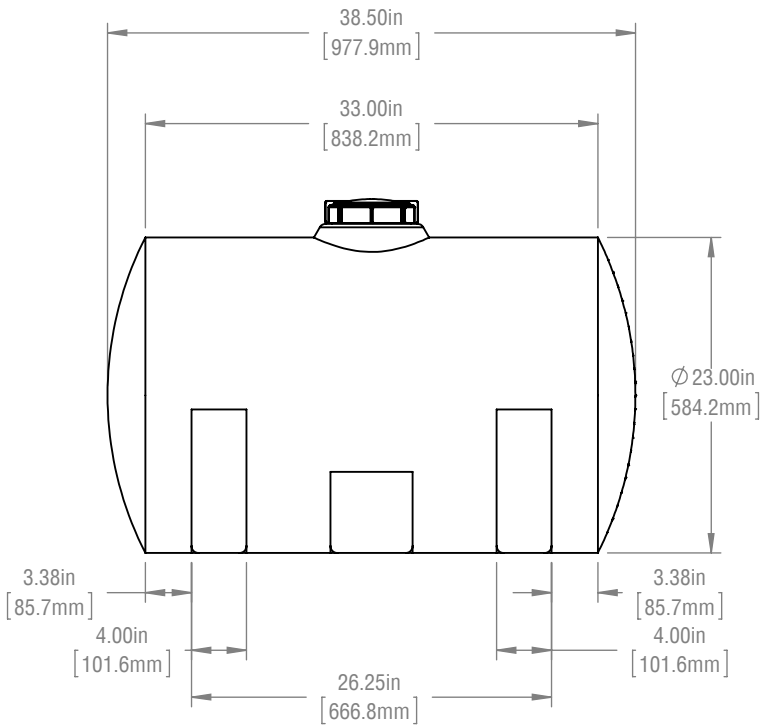


ITEM	QTY.	DESCRIPTION	PART NUMBER	MATERIAL
1	1	HLT-50 I.G. @ 1.9 S.G.	1229-00060B-00-xx	PE
2	1	6" THREADED CAP (WITH VENT)	9707-246000-80-10	PE



**MOLDED-IN  
GALLON MARKER**



- NOTES:  
 1) REFER TO PLAN VIEW FOR FITTING ORIENTATION  
 2) ALL TRIMMED EDGES ARE ROUNDED OFF  
 3) ALL DIMENSIONS ARE APPROXIMATE  
 4) CAPACITY 50 IG (60 USG/225 L)

FAILURE TO PROVIDE ADEQUATE PROVISIONS FOR TANK EXPANSION/CONTRACTION AT FITTINGS WILL VOID ALL WARRANTIES.

REVISIONS		
REV.	DESCRIPTION	DATE
00	DH - CREATED LAYOUT	2016-12-07

FINAL APPROVED DRAWING CUSTOMER:..... DATE:.....



**RTS PLASTICS**  
 1027 INDUSTRIAL PLACE,  
 ST. CLEMENTS, ONTARIO, CANADA  
 T:800-663-2803 F: 519-699-0027  
 2900 INDUSTRIAL PARK DRIVE,  
 AUSTINBURG, OHIO, U.S.A.  
 T:888-641-3077 F:440-275-3080

TOLERANCES UNLESS OTHERWISE STATED: X.X ±3% X.XX ±2% X.XXX ±1% ANGULAR ±3%

TITLE: **HLT-50 I.G. @ 1.9 S.G.**

PART NUMBER: **1229-00060B-00-xx**  
 CUSTOMER: **RTS COMPANIES INC.**  
 DRAWN BY: **DTH**  
 MATERIAL: **PE**

REVISION: **00**  
 PROJECT: **HST**  
 DATE: **Dec 07, 2016**  
 WEIGHT: **31.13**