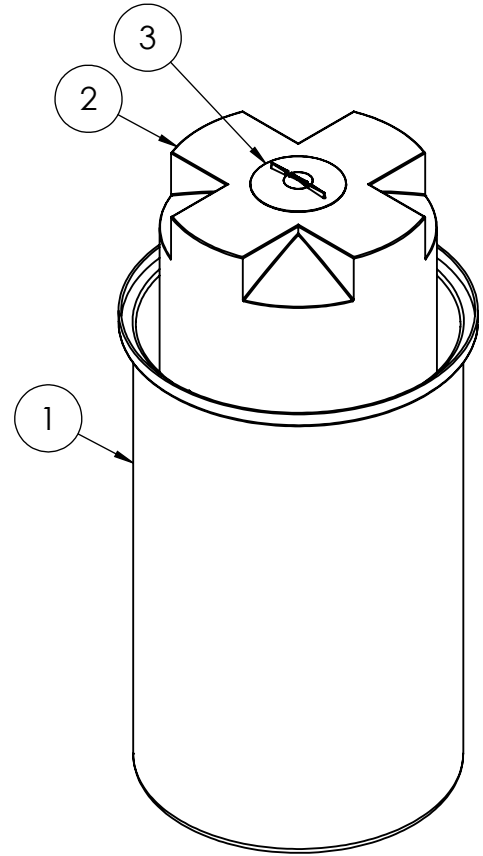
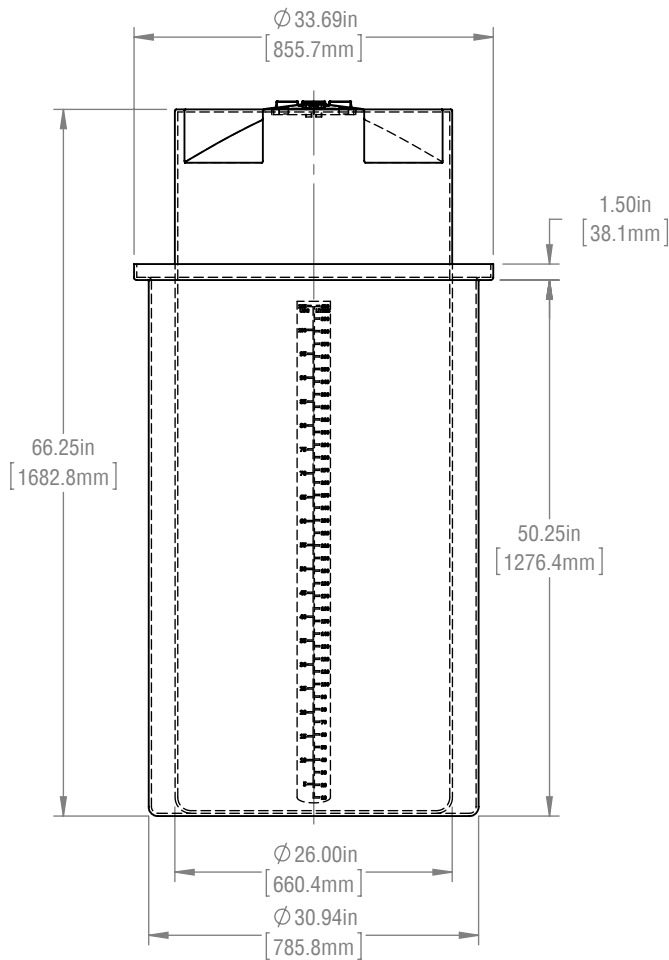
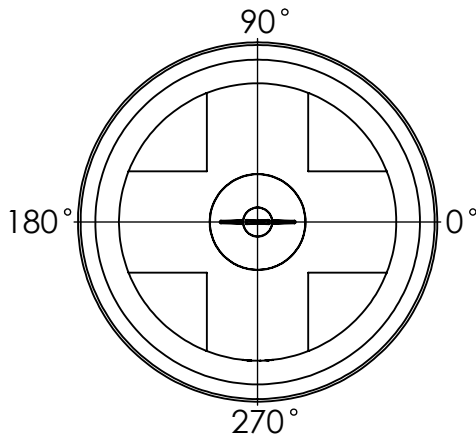


| ITEM | QTY. | DESCRIPTION             | PART NUMBER       | MATERIAL |
|------|------|-------------------------|-------------------|----------|
| 1    | 1    | VOT-125 I.G. @ 1.9 S.G. | 1019-03050T-00-xx | PE       |
| 2    | 1    | VST-110XTB @ 1.9 S.G.   | 1089-02666T-00-xx | PE       |
| 3    | 1    | 8" THREADED MANWAY      | 9707-06008A-80-10 | PE       |



- NOTES:  
 1) REFER TO PLAN VIEW FOR FITTING ORIENTATION  
 2) ALL TRIMMED EDGES ARE ROUNDED OFF  
 3) ALL DIMENSIONS ARE APPROXIMATE  
 4) CAPACITY 110 IG (130 USG/500 L)

FAILURE TO PROVIDE ADEQUATE PROVISIONS FOR TANK EXPANSION/CONTRACTION AT FITTINGS WILL VOID ALL WARRANTIES.

**\*\*TANK AVAILABLE IN 00 MDPE OR 10 HDPE\*\***

| REVISIONS |                     |            |
|-----------|---------------------|------------|
| REV.      | DESCRIPTION         | DATE       |
| 01        | DH - GENERAL UPDATE | 2015-10-28 |

FINAL APPROVED DRAWING CUSTOMER:..... DATE:.....



**RTS PLASTICS**  
 1027 INDUSTRIAL PLACE, PO Box 179,  
 ST. CLEMENTS, ONTARIO, CANADA  
 T:800-663-2803 F: 519-699-0027  
 2900 INDUSTRIAL PARK DRIVE, PO Box 183,  
 AUSTINBURG, OHIO, U.S.A.  
 T:888-641-3077 F:440-275-3080

TOLERANCES UNLESS OTHERWISE STATED: X.X ±3% X.XX ±2% X.XXX ±1% ANGULAR ±3%

TITLE: **SCDTC-110XTB @ 1.9 S.G. in CYL. CONTAINMENT**

|                                |                    |
|--------------------------------|--------------------|
| PART NUMBER: 1829-42666A-00-xx | REVISION: 01       |
| CUSTOMER: RTS COMPANIES INC.   | PROJECT: TBFT      |
| DRAWN BY: DTH                  | DATE: Mar 20, 2014 |
| MATERIAL: PE                   | WEIGHT: ---        |