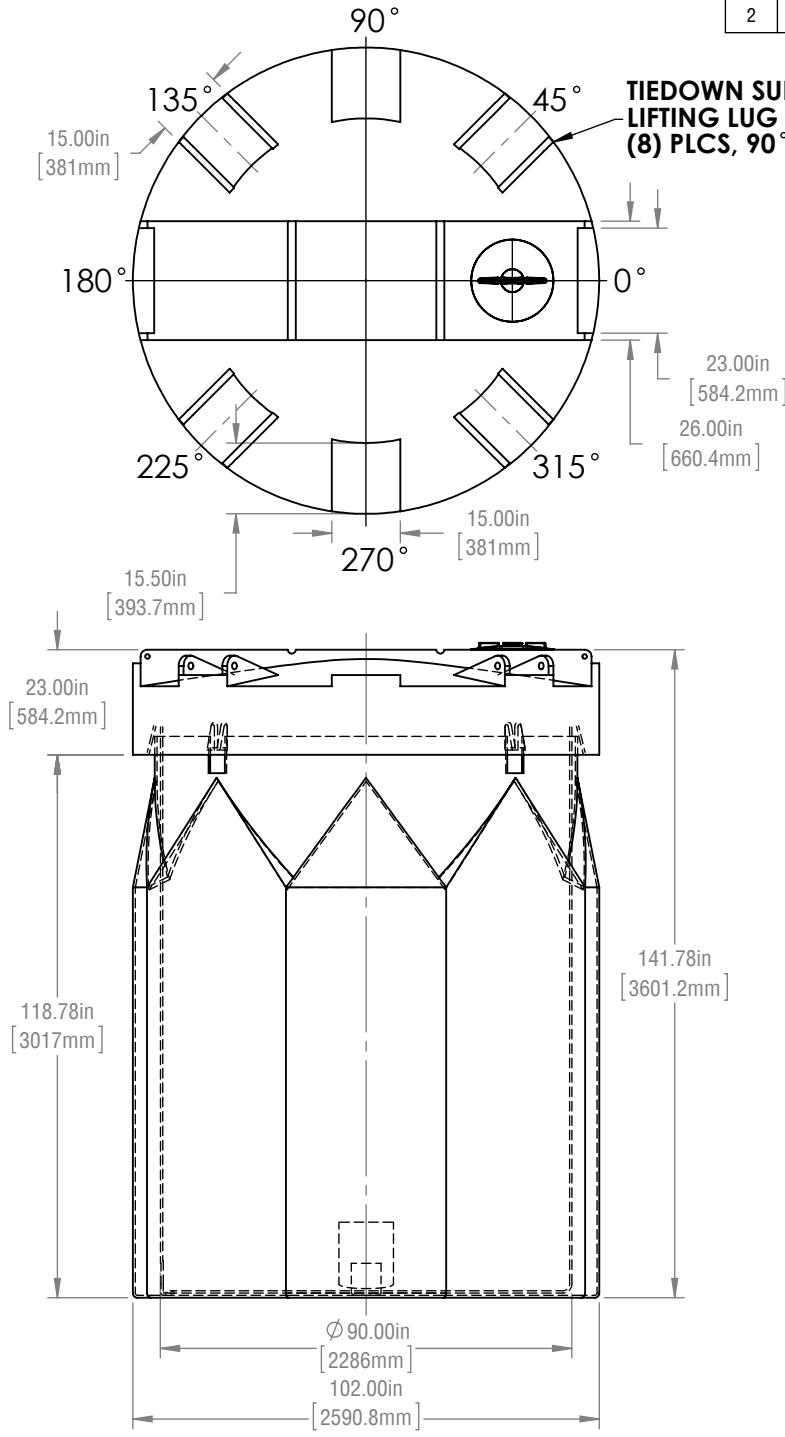
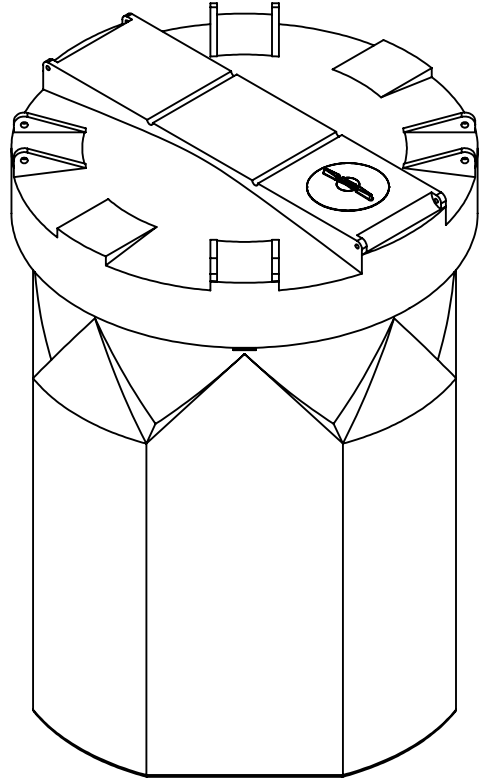


ITEM	QTY.	DESCRIPTION	PART NUMBER	MATERIAL
1	1	DWCT-2500 I.G. @ 1.5 S.G.	1255-03000B-00-xx	PE
2	1	18" THREADED MANWAY w/ 15 ACCESS	9707-240150-80-00	PE



**TIEDOWN SUPPORT/  
LIFTING LUG  
(8) PLCS, 90° TYP.**



NOTES:  
 1) REFER TO PLAN VIEW FOR FITTING ORIENTATION  
 2) ALL TRIMMED EDGES ARE ROUNDED OFF  
 3) ALL DIMENSIONS ARE APPROXIMATE  
 4) CAPACITY 2500 IG (3000 USG/11,300 L)

**FAILURE TO PROVIDE ADEQUATE PROVISIONS FOR TANK EXPANSION/CONTRACTION AT FITTINGS WILL VOID ALL WARRANTIES.**

**\*\*TANK AVAILABLE IN 09 XLPE OR 10 HDPE\*\***

REVISIONS		
REV.	DESCRIPTION	DATE
02	DH - GENERAL UPDATE	2015-10-08

FINAL APPROVED DRAWING CUSTOMER:..... DATE:.....



**RTS PLASTICS**  
 1027 INDUSTRIAL PLACE, PO Box 179,  
 ST. CLEMENTS, ONTARIO, CANADA  
 T:800-663-2803 F: 519-699-0027  
 2900 INDUSTRIAL PARK DRIVE, PO Box 183,  
 AUSTINBURG, OHIO, U.S.A.  
 T:888-641-3077 F:440-275-3080

TOLERANCES UNLESS OTHERWISE STATED: X.X ±3% X.XX ±2% X.XXX ±1% ANGULAR ±3%			
TITLE: <b>DWCT-2500 I.G. @ 1.5 S.G.</b>			
PART NUMBER: <b>1255-03000B-00-xx</b>	REVISION: <b>02</b>		
CUSTOMER: <b>RTS COMPANIES INC.</b>	PROJECT: <b>DWCT</b>		
DRAWN BY: <b>DTH</b>	DATE: <b>Feb 10, 2014</b>		
MATERIAL: <b>PE</b>	WEIGHT: <b>---</b>		