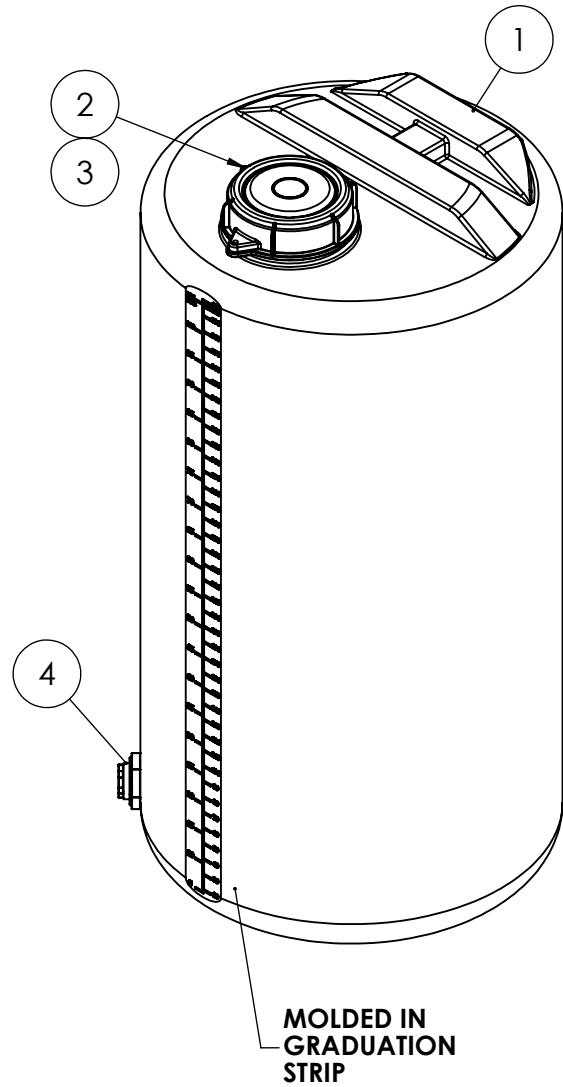
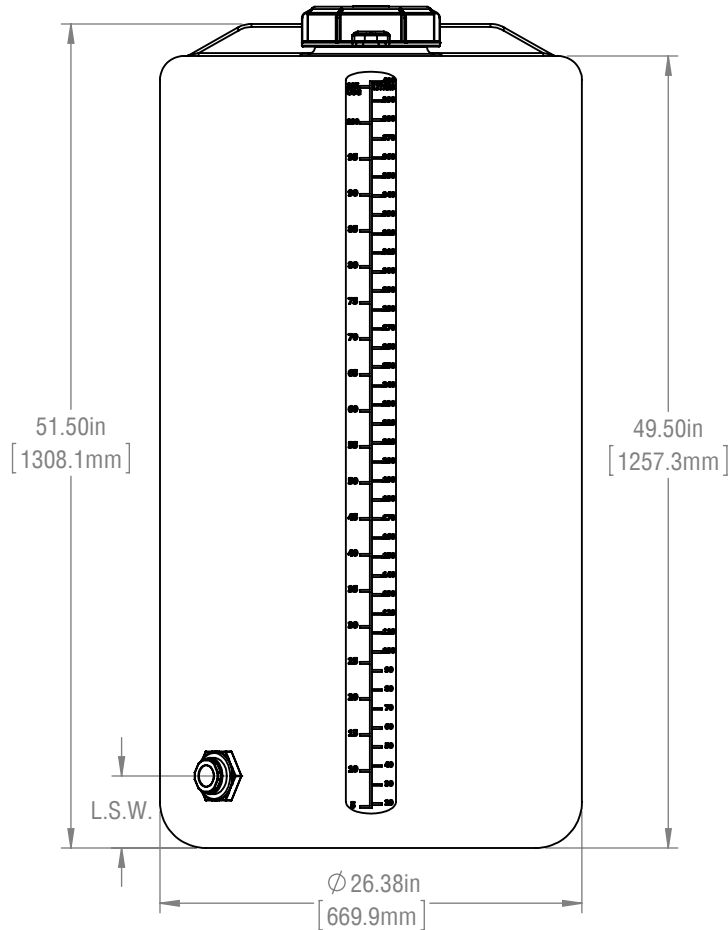
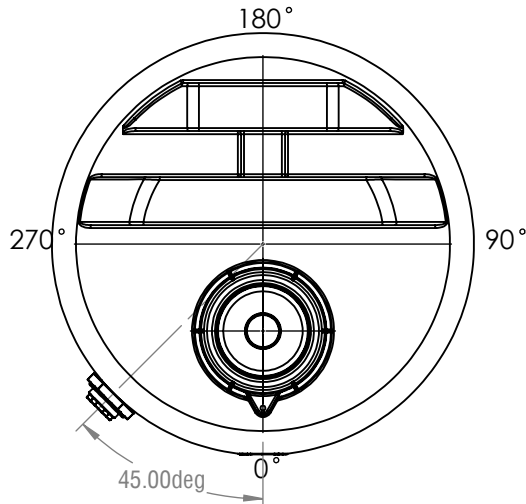


ITEM	MDPE/QTY.	DESCRIPTION	PART NUMBER	MATERIAL
1	1	VST-88TB @ 1.9 S.G.	1039-02648T-00-00	00 MDPE
2	1	6" SCREW CAP	9707-016000-80-10	10 HDPE
3	1	6" SCREW CAP GASKET	9707-056000-00-65	65 EPDM
4	1	1.0" [25 MM] BULKHEAD	9702-011000-65-02	PVC/EPDM



- NOTES:  
 1) REFER TO PLAN VIEW FOR FITTING ORIENTATION  
 2) ALL TRIMMED EDGES ARE ROUNDED OFF  
 3) ALL DIMENSIONS ARE APPROXIMATE  
 4) CAPACITY 88 IG (105 USG/400 L)

**\*\*TANK AVAILABLE IN 00 MDPE ONLY.**

FAILURE TO PROVIDE ADEQUATE PROVISIONS FOR TANK EXPANSION/CONTRACTION AT FITTINGS WILL VOID ALL WARRANTIES.

REVISIONS		
REV.	DESCRIPTION	DATE
00	KP - CREATED LAYOUT	07/06/2016

FINAL APPROVED DRAWING CUSTOMER:..... DATE:.....



**RTS PLASTICS**  
 1027 INDUSTRIAL PLACE,  
 ST. CLEMENTS, ONTARIO, CANADA  
 T:800-663-2803 F: 519-699-0027  
 2900 INDUSTRIAL PARK DRIVE,  
 AUSTINBURG, OHIO, U.S.A.  
 T:888-641-3077 F:440-275-3080

TOLERANCES UNLESS OTHERWISE STATED: X.X ±3% X.XX ±2% X.XXX ±1% ANGULAR ±3%

TITLE: **88 IG (105 USG) AG TANK**

PART NUMBER: **1070-12648A-00-00**  
 CUSTOMER: **RTS COMPANIES INC.**  
 DRAWN BY: **DTH**  
 MATERIAL: **00 MDPE**

REVISION: **00**  
 PROJECT: **AG**  
 DATE: **Oct 16, 2013**  
 WEIGHT: **---**