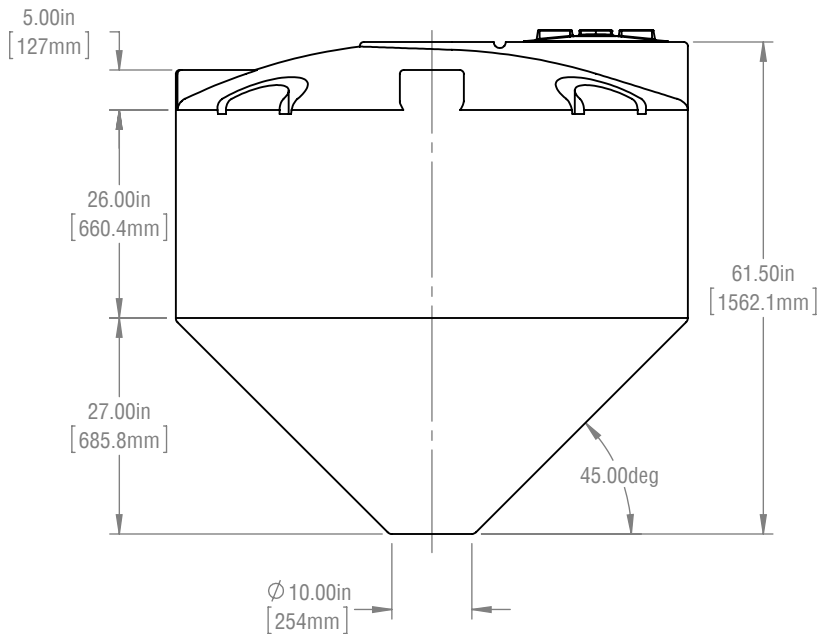
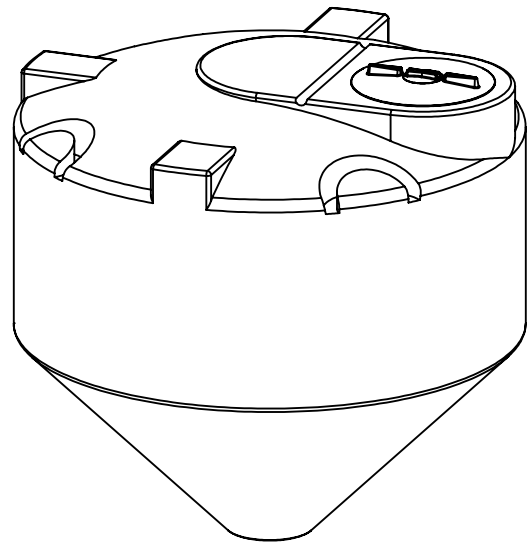
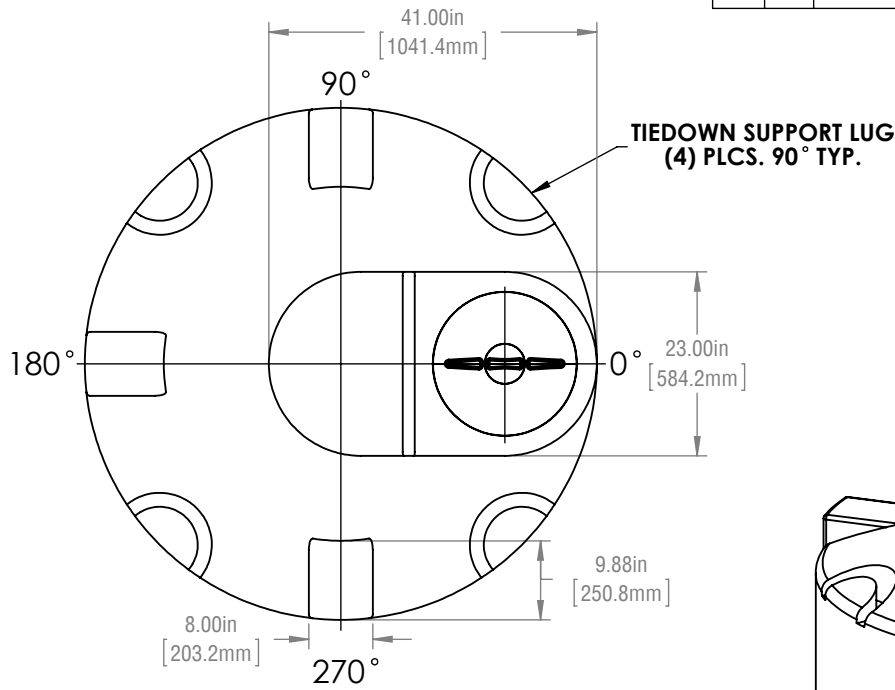


| ITEM | QTY. | DESCRIPTION | PART NUMBER | MATERIAL |
|------|------|----------------------------------|-------------------|----------|
| 1 | 1 | CBT-415 I.G. @ 1.9 S.G. | 1249-00500B-00-xx | PE |
| 2 | 1 | 18" THREADED MANWAY w/ 15 ACCESS | 9707-240150-80-00 | PE |



- NOTES:
 1) REFER TO PLAN VIEW FOR FITTING ORIENTATION
 2) ALL TRIMMED EDGES ARE ROUNDED OFF
 3) ALL DIMENSIONS ARE APPROXIMATE
 4) CAPACITY 415 IG (500 USG/1900 L)

FAILURE TO PROVIDE ADEQUATE PROVISIONS FOR TANK EXPANSION/CONTRACTION AT FITTINGS WILL VOID ALL WARRANTIES.

****TANK AVAILABLE IN 09 XLPE OR 10 HDPE****

| REVISIONS | | |
|-----------|---------------------------|------------|
| REV. | DESCRIPTION | DATE |
| 01 | KP - UPDATED PART NUMBERS | 12/08/2015 |

FINAL APPROVED DRAWING CUSTOMER:..... DATE:.....



RTS PLASTICS
 1027 INDUSTRIAL PLACE,
 ST. CLEMENTS, ONTARIO, CANADA
 T:800-663-2803 F: 519-699-0027
 2900 INDUSTRIAL PARK DRIVE,
 AUSTINBURG, OHIO, U.S.A.
 T:888-641-3077 F:440-275-3080

TOLERANCES UNLESS OTHERWISE STATED: X.X ±3% X.XX ±2% X.XXX ±1% ANGULAR ±3%

TITLE: **CBT-415 I.G. @ 1.9 S.G.**

| | |
|---------------------------------------|---------------------------|
| PART NUMBER: 1249-00500B-00-xx | REVISION: 01 |
| CUSTOMER: RTS COMPANIES INC. | PROJECT: CBT |
| DRAWN BY: DH | DATE: Jan 28, 2014 |
| MATERIAL: PE | WEIGHT: --- |