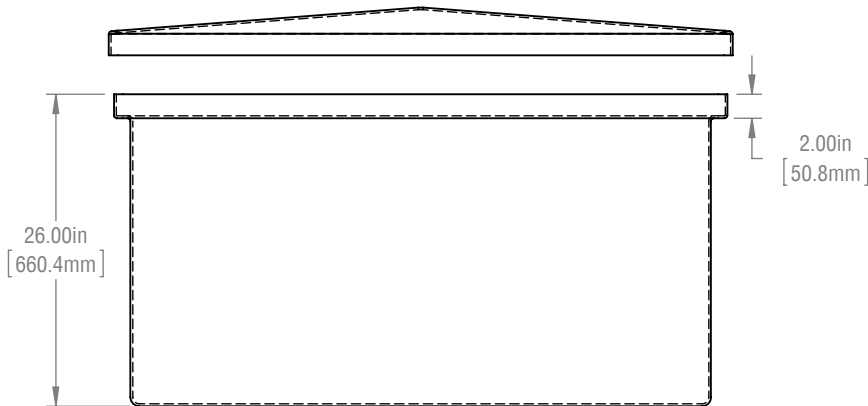
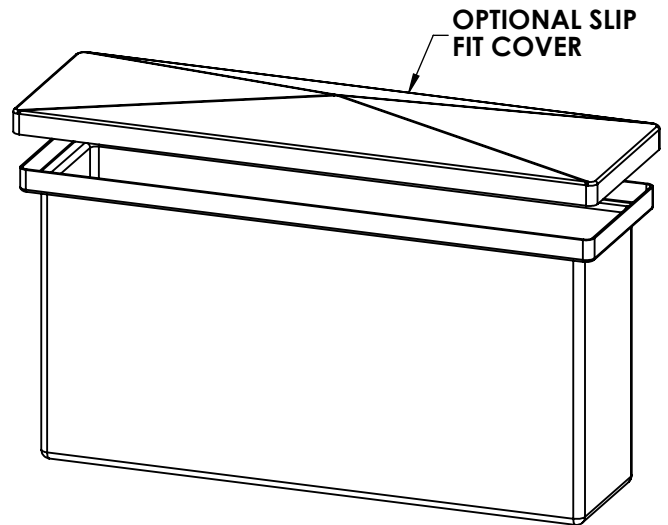
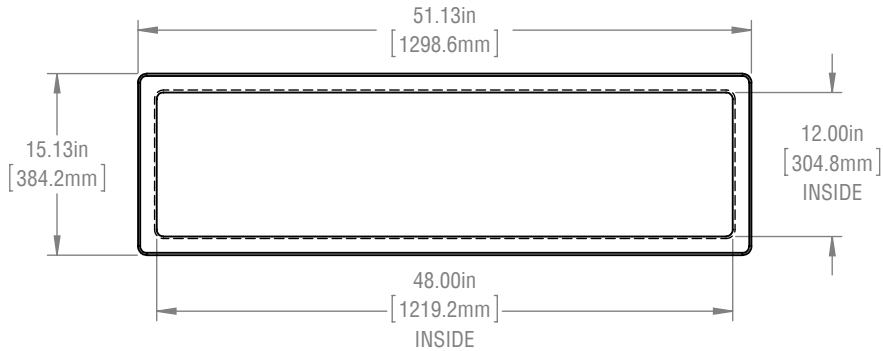


ITEM	QTY.	DESCRIPTION	PART NUMBER	MATERIAL
1	1	RT-50 I.G. @ 1.9 S.G.	1049-48124T-00-xx	PE
2	1	48" x 12" RT MOLDED COVER	1050-74812T-00-xx	PE



- NOTES:
 1) REFER TO PLAN VIEW FOR FITTING ORIENTATION
 2) ALL TRIMMED EDGES ARE ROUNDED OFF
 3) ALL DIMENSIONS ARE APPROXIMATE
 4) CAPACITY 50 IG (60 USG/225 L)

FAILURE TO PROVIDE ADEQUATE PROVISIONS FOR TANK EXPANSION/CONTRACTION AT FITTINGS WILL VOID ALL WARRANTIES.

****TANK AVAILABLE IN 00 MDPE OR 10 HDPE****

REVISIONS		
REV.	DESCRIPTION	DATE
01	KP - UPDATED PART NUMBERS	07/08/2015

FINAL APPROVED DRAWING CUSTOMER:..... DATE:.....



RTS PLASTICS
 1027 INDUSTRIAL PLACE,
 ST. CLEMENTS, ONTARIO, CANADA
 T:800-663-2803 F: 519-699-0027
 2900 INDUSTRIAL PARK DRIVE,
 AUSTINBURG, OHIO, U.S.A.
 T:888-641-3077 F:440-275-3080

TOLERANCES UNLESS OTHERWISE STATED: X.X ±3% X.XX ±2% X.XXX ±1% ANGULAR ±3%

TITLE: **RT-50 I.G. @ 1.9 S.G.**

PART NUMBER: 1049-48124T-00-xx	REVISION: 01
CUSTOMER: RTS COMPANIES INC.	PROJECT: RT
DRAWN BY: DTH	DATE: Feb 26, 2014
MATERIAL: PE	WEIGHT: ---