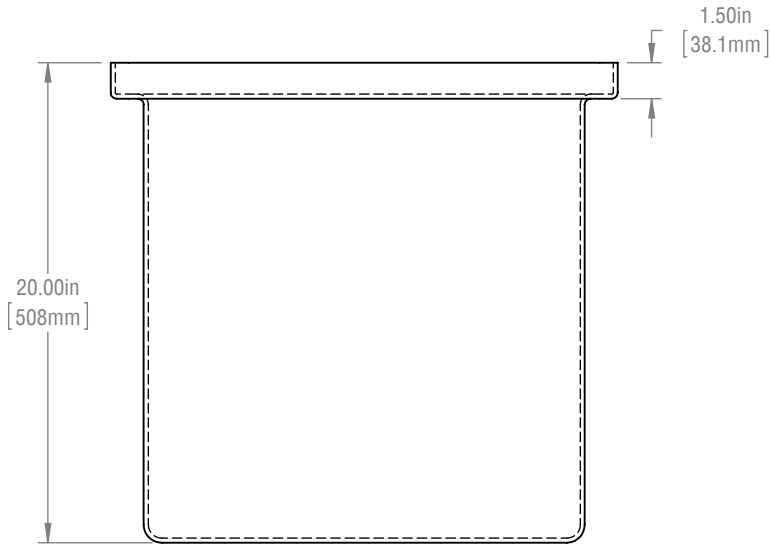
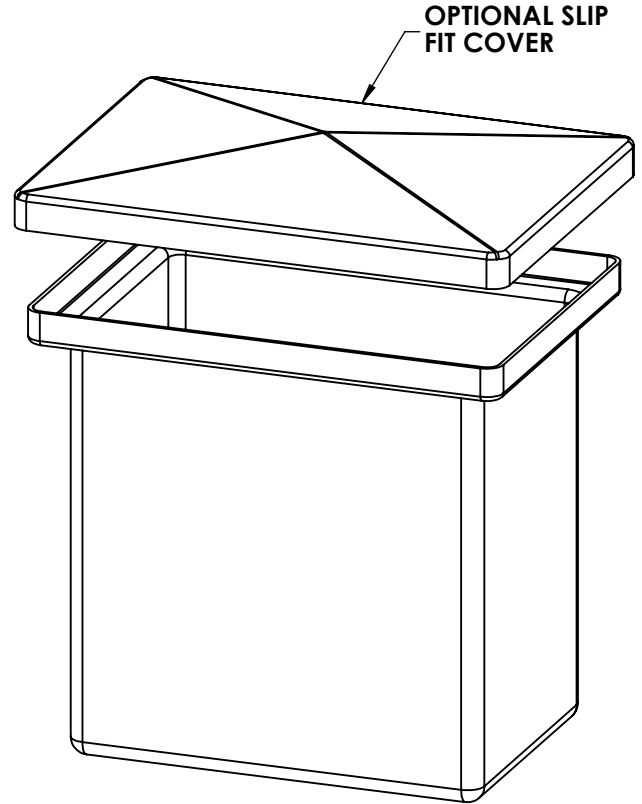
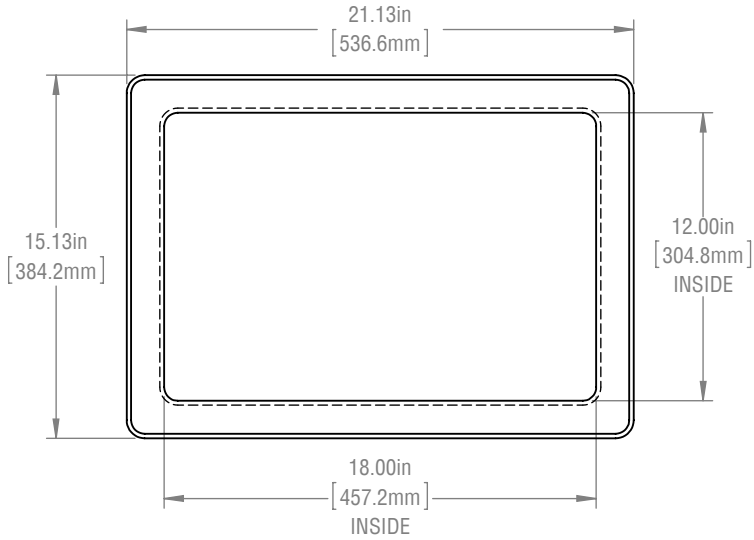


| ITEM | QTY. | DESCRIPTION               | PART NUMBER       | MATERIAL |
|------|------|---------------------------|-------------------|----------|
| 1    | 1    | RT-14 I.G. @ 1.9 S.G.     | 1049-18128T-00-xx | PE       |
| 2    | 1    | 18" x 12" RT MOLDED COVER | 1050-71812T-00-xx | PE       |



- NOTES:
- 1) REFER TO PLAN VIEW FOR FITTING ORIENTATION
  - 2) ALL TRIMMED EDGES ARE ROUNDED OFF
  - 3) ALL DIMENSIONS ARE APPROXIMATE
  - 4) CAPACITY 14 IG (16 USG/63 L)

FAILURE TO PROVIDE ADEQUATE PROVISIONS FOR TANK EXPANSION/CONTRACTION AT FITTINGS WILL VOID ALL WARRANTIES.

**\*\*TANK AVAILABLE IN 00 MDPE OR 10 HDPE\*\***

| REVISIONS |                           |            |
|-----------|---------------------------|------------|
| REV.      | DESCRIPTION               | DATE       |
| 01        | KP - UPDATED PART NUMBERS | 20/07/2015 |

FINAL APPROVED DRAWING CUSTOMER:..... DATE:.....



**RTS PLASTICS**  
 1027 INDUSTRIAL PLACE,  
 ST. CLEMENTS, ONTARIO, CANADA  
 T:800-663-2803 F: 519-699-0027  
 2900 INDUSTRIAL PARK DRIVE,  
 AUSTINBURG, OHIO, U.S.A.  
 T:888-641-3077 F:440-275-3080

TOLERANCES UNLESS OTHERWISE STATED: X.X ±3% X.XX ±2% X.XXX ±1% ANGULAR ±3%

TITLE: **RT-14 I.G. @ 1.9 S.G.**

PART NUMBER: **1049-18128T-00-xx**  
 CUSTOMER: **RTS COMPANIES INC.**  
 DRAWN BY: **DTH**  
 MATERIAL: **PE**

REVISION: **01**  
 PROJECT: **RT**  
 DATE: **Feb 25, 2014**  
 WEIGHT: **---**