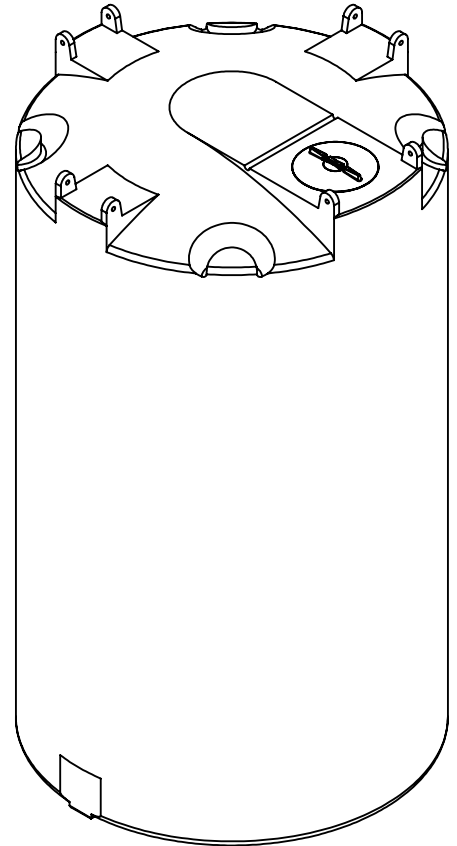
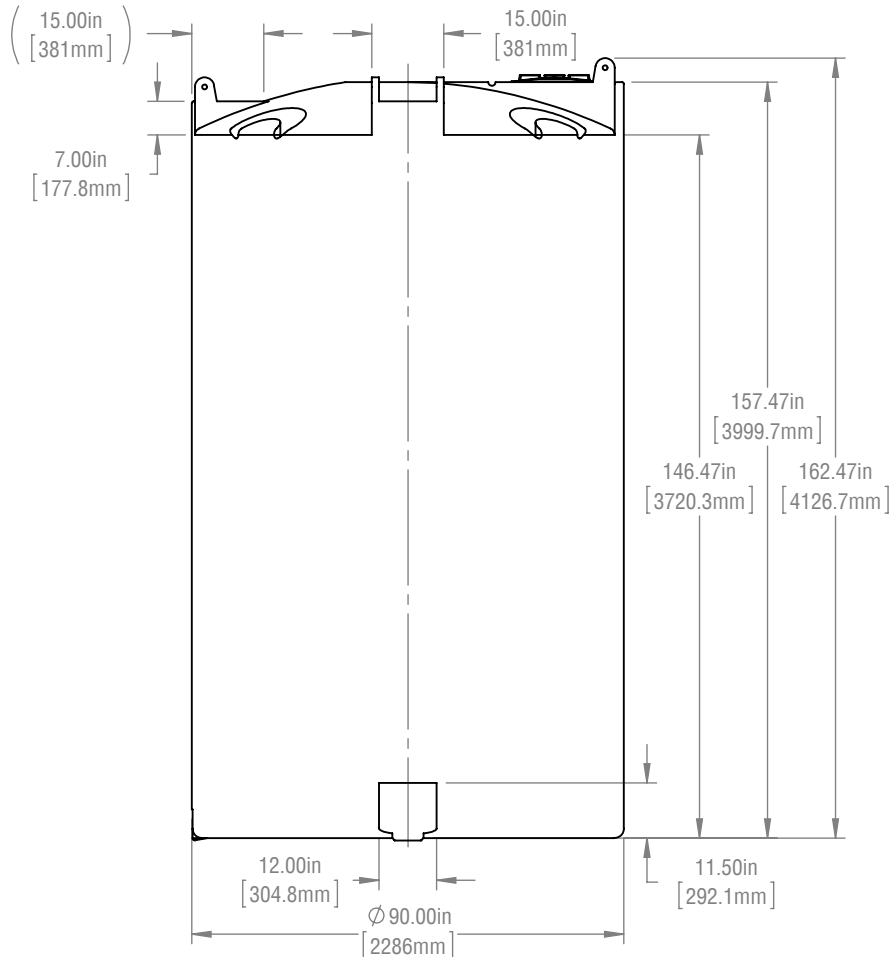
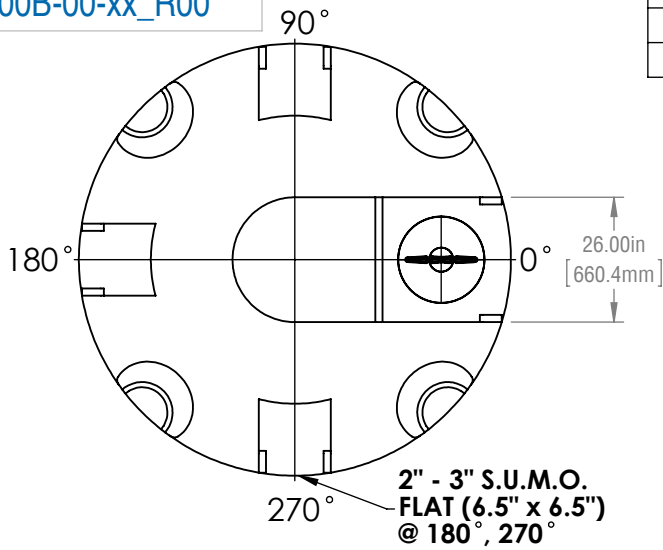


ITEM	QTY.	DESCRIPTION	PART NUMBER	MATERIAL
1	1	VST-3300 I.G. @ 1.5 S.G.	1215-03900B-00-xx	PE
2	1	18" THREADED MANWAY w/ 15 ACCESS	9707-240150-80-00	PE



- NOTES:  
 1) REFER TO PLAN VIEW FOR FITTING ORIENTATION  
 2) ALL TRIMMED EDGES ARE ROUNDED OFF  
 3) ALL DIMENSIONS ARE APPROXIMATE  
 4) CAPACITY 3250 IG (3900 USG/14,760 L)

FAILURE TO PROVIDE ADEQUATE PROVISIONS FOR TANK EXPANSION/CONTRACTION AT FITTINGS WILL VOID ALL WARRANTIES.

**\*\*TANK AVAILABLE IN 09 XPLE OR 10 HDPE\*\***

REVISIONS		
REV.	DESCRIPTION	DATE
00	KP - UPDATED PART NUMBER	23/08/2012

FINAL APPROVED DRAWING CUSTOMER:..... DATE:.....



**RTS PLASTICS**  
 1027 INDUSTRIAL PLACE, PO Box 179,  
 ST. CLEMENTS, ONTARIO, CANADA  
 T:800-663-2803 F: 519-699-0027  
 2900 INDUSTRIAL PARK DRIVE, PO Box 183,  
 AUSTINBURG, OHIO, U.S.A.  
 T:888-641-3077 F:440-275-3080

TOLERANCES UNLESS OTHERWISE STATED: X.X ±3% X.XX ±2% X.XXX ±1% ANGULAR ±3%

TITLE: **VST-3300 I.G. @ 1.5 S.G.**

PART NUMBER: **1215-03900B-00-xx**  
 CUSTOMER: **RTS COMPANIES INC.**  
 DRAWN BY: **DH**  
 MATERIAL: **PE**

REVISION: **00**  
 PROJECT: **VST**  
 DATE: **Nov 07, 2013**  
 WEIGHT: **---**