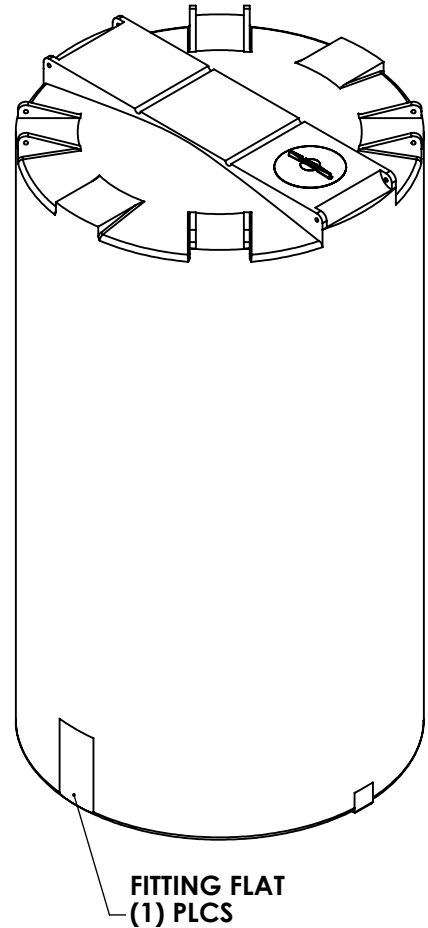
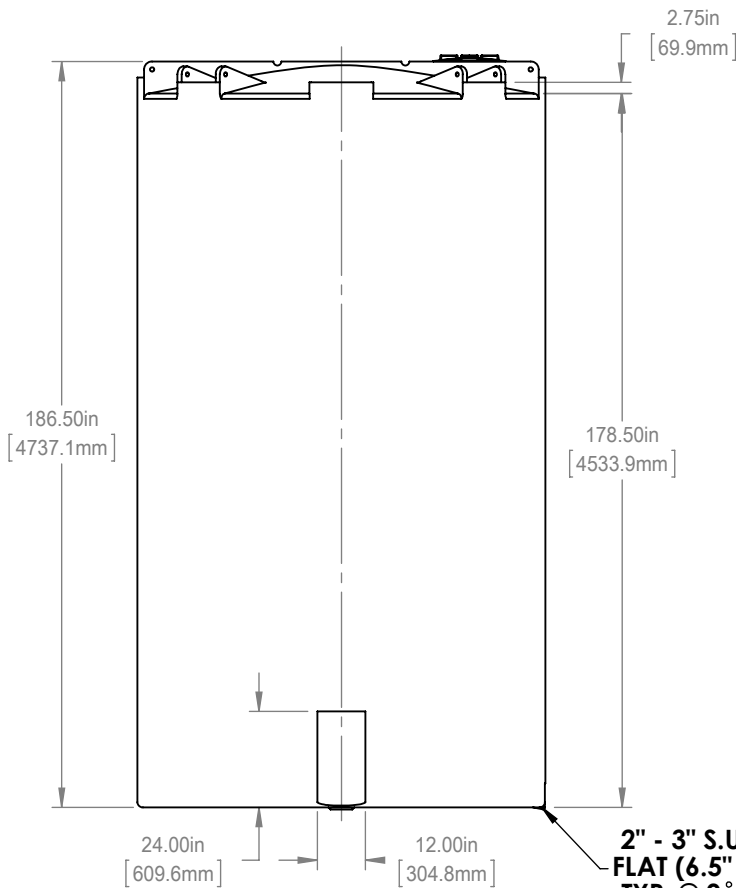
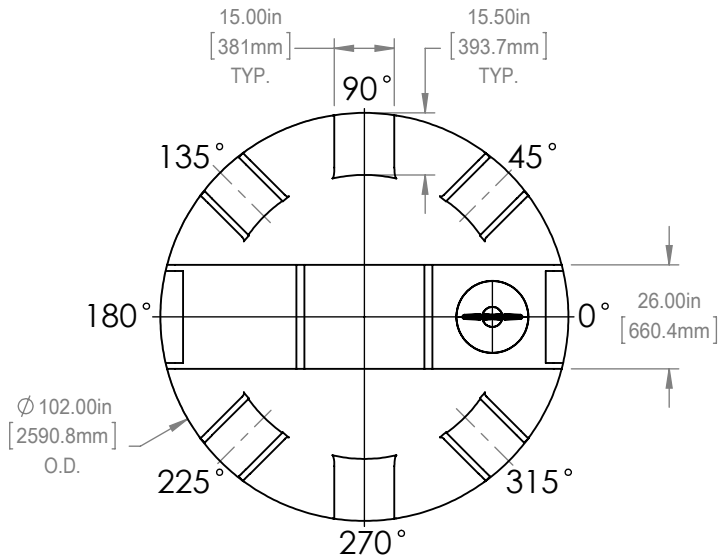


1215-005000-00-xx_R00

ITEM	QTY.	DESCRIPTION	PART NUMBER	MATERIAL
1	1	VST-5000 I.G. @ 1.5 S.G.	1215-005000-00-xx	PE
2	1	18" THREADED MANWAY w/ 15 ACCESS	9707-240150-80-00	PE



- NOTES:
 1) REFER TO PLAN VIEW FOR FITTING ORIENTATION
 2) ALL TRIMMED EDGES ARE ROUNDED OFF
 3) ALL DIMENSIONS ARE APPROXIMATE
 4) CAPACITY 5000 IG (6000 USG/22,700 L)

FAILURE TO PROVIDE ADEQUATE PROVISIONS FOR TANK EXPANSION/CONTRACTION AT FITTINGS WILL VOID ALL WARRANTIES.

2" - 3" S.U.M.O. FLAT (6.5" x 6.5") TYP. @ 0° & 90°

****TANK AVAILABLE IN 09 XPLE OR 10 HDPE****

REVISIONS		
REV.	DESCRIPTION	DATE
00	DH - CREATED LAYOUT	22/05/2012

FINAL APPROVED DRAWING CUSTOMER:..... DATE:.....



RTS PLASTICS
 1027 INDUSTRIAL PLACE, PO Box 179,
 ST. CLEMENTS, ONTARIO, CANADA
 T:800-663-2803 F: 519-699-0027
 2900 INDUSTRIAL PARK DRIVE, PO Box 183,
 AUSTINBURG, OHIO, U.S.A.
 T:888-641-3077 F:440-275-3080

TOLERANCES UNLESS OTHERWISE STATED: X.X ±3% X.XX ±2% X.XXX ±1% ANGULAR ±3%
 TITLE: **VST-5000 I.G. @ 1.5 S.G.**

PART NUMBER: 1215-005000-00-xx	REVISION: 00
CUSTOMER: RTS COMPANIES INC.	PROJECT: VST
DRAWN BY: DH	DATE: Nov 07, 2013
MATERIAL: PE	WEIGHT: ---