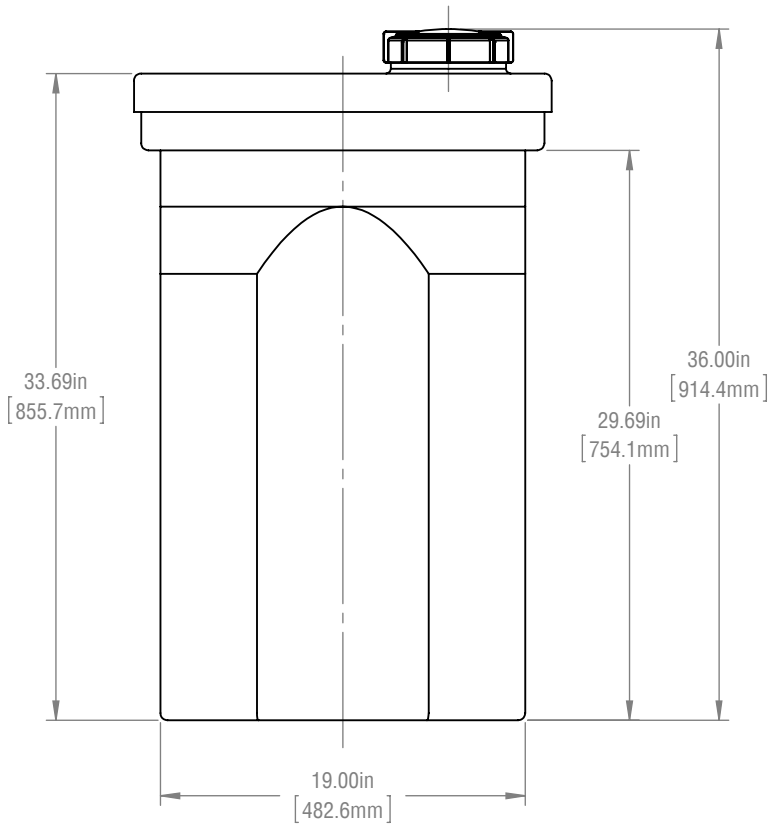
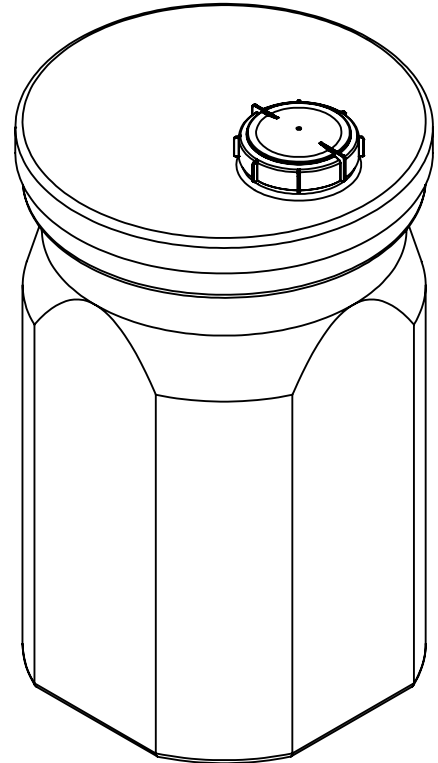
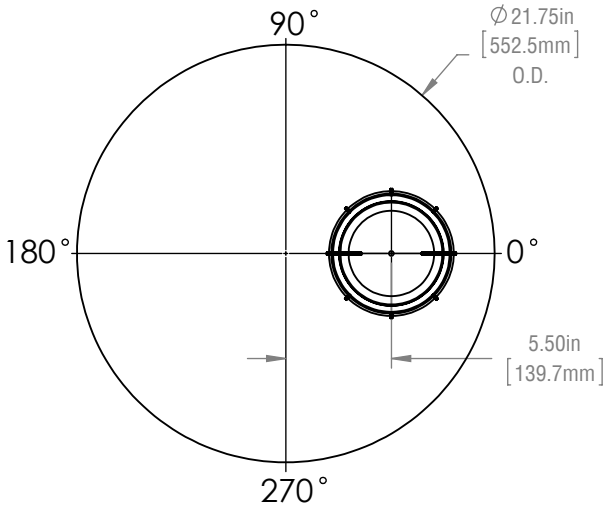


ITEM	QTY.	DESCRIPTION	PART NUMBER	MATERIAL
1	1	DCT-30 I.G. @ 1.9 S.G.	1269-00035B-00-xx	PE
2	1	6" THREADED CAP (WITH VENT)	9707-246000-80-10	PE



- NOTES:
- 1) REFER TO PLAN VIEW FOR FITTING ORIENTATION
 - 2) ALL TRIMMED EDGES ARE ROUNDED OFF
 - 3) ALL DIMENSIONS ARE APPROXIMATE
 - 4) CAPACITY 29 IG (35 USG/130 L)

FAILURE TO PROVIDE ADEQUATE PROVISIONS FOR TANK EXPANSION/CONTRACTION AT FITTINGS WILL VOID ALL WARRANTIES.

****TANK AVAILABLE ON 09 XLPE, OR 10 HDPE****

REVISIONS		
REV.	DESCRIPTION	DATE
01	DH - GENERAL UPDATE	2015-10-07

FINAL APPROVED DRAWING CUSTOMER:..... DATE:.....



RTS PLASTICS
 1027 INDUSTRIAL PLACE, PO Box 179,
 ST. CLEMENTS, ONTARIO, CANADA
 T:800-663-2803 F: 519-699-0027
 2900 INDUSTRIAL PARK DRIVE, PO Box 183,
 AUSTINBURG, OHIO, U.S.A.
 T:888-641-3077 F:440-275-3080

TOLERANCES UNLESS OTHERWISE STATED: X.X ±3% X.XX ±2% X.XXX ±1% ANGULAR ±3%

TITLE: **DCT-30 I.G. @ 1.9 S.G.**

PART NUMBER: 1269-00035B-00-xx	REVISION: 01
CUSTOMER: RTS COMPANIES INC.	PROJECT: DWCT
DRAWN BY: DTH	DATE: Feb 14, 2014
MATERIAL: PE	WEIGHT: --