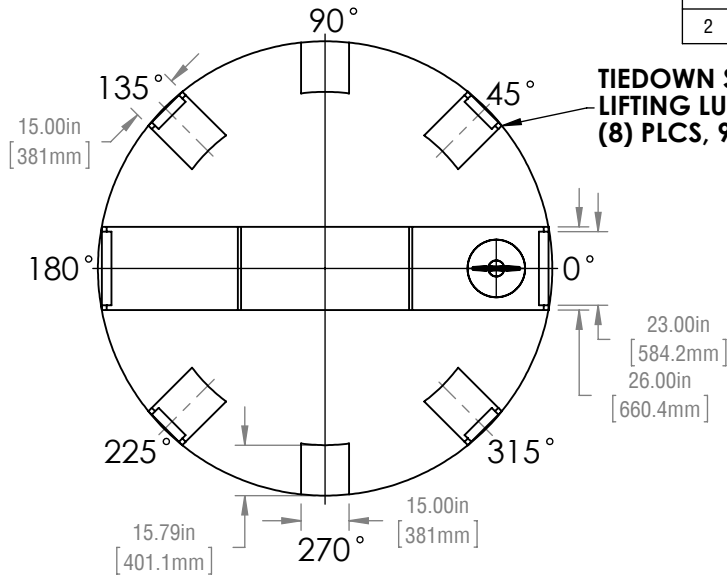
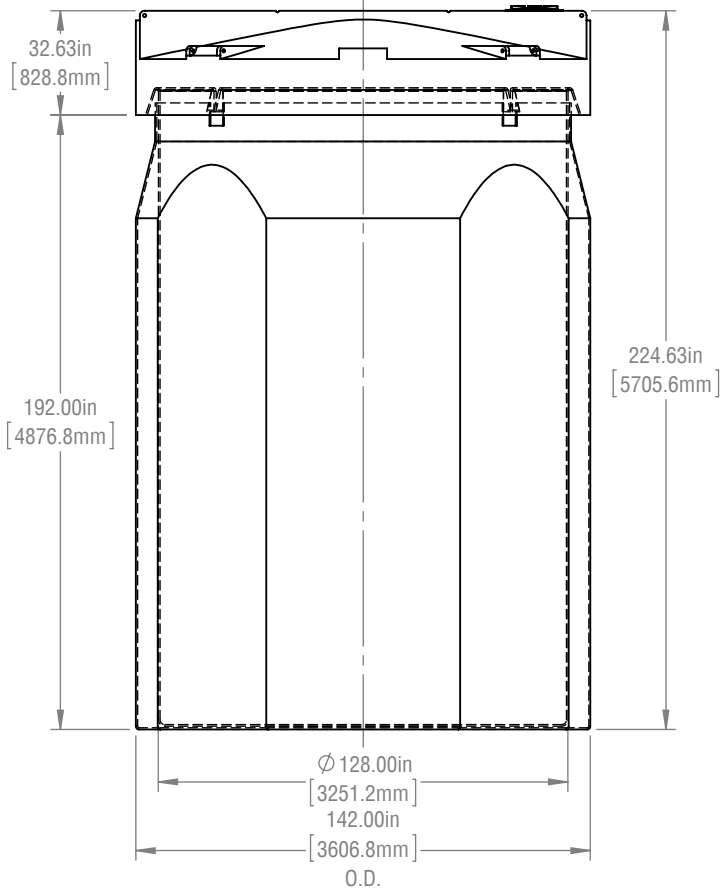
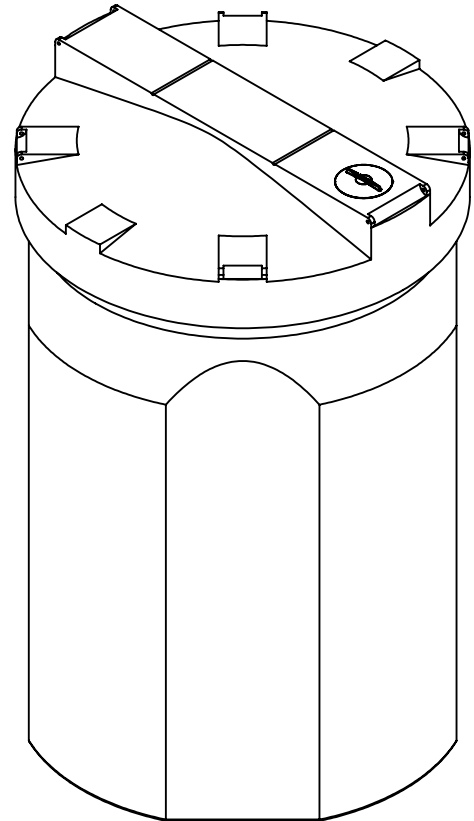


| ITEM | QTY. | DESCRIPTION | PART NUMBER | MATERIAL |
|------|------|----------------------------------|-------------------|----------|
| 1 | 1 | DWCT-8325 I.G. @ 1.5 S.G. | 1255-10000B-00-xx | PE |
| 2 | 1 | 18" THREADED MANWAY w/ 15 ACCESS | 9707-240150-80-00 | PE |



**TIEDOWN SUPPORT/
LIFTING LUG
(8) PLCS, 90° TYP.**



- NOTES:
 1) REFER TO PLAN VIEW FOR FITTING ORIENTATION
 2) ALL TRIMMED EDGES ARE ROUNDED OFF
 3) ALL DIMENSIONS ARE APPROXIMATE
 4) CAPACITY 8325 IG (10,000 USG/37,800 L)

FAILURE TO PROVIDE ADEQUATE PROVISIONS FOR TANK EXPANSION/CONTRACTION AT FITTINGS WILL VOID ALL WARRANTIES.

****TANK AVAILABLE IN 09 XLPE OR 10 HDPE****

| REVISIONS | | |
|-----------|---------------------|------------|
| REV. | DESCRIPTION | DATE |
| 01 | DH - GENERAL UPDATE | 2015-10-08 |

FINAL APPROVED DRAWING CUSTOMER:..... DATE:.....



RTS PLASTICS
 1027 INDUSTRIAL PLACE, PO Box 179,
 ST. CLEMENTS, ONTARIO, CANADA
 T:800-663-2803 F: 519-699-0027
 2900 INDUSTRIAL PARK DRIVE, PO Box 183,
 AUSTINBURG, OHIO, U.S.A.
 T:888-641-3077 F:440-275-3080

TOLERANCES UNLESS OTHERWISE STATED: X.X ±3% X.XX ±2% X.XXX ±1% ANGULAR ±3%

TITLE: **DWCT-8325 I.G. @ 1.5 S.G.**

PART NUMBER: **1255-10000B-00-xx**
 CUSTOMER: **RTS COMPANIES INC.**
 DRAWN BY: **DTH**
 MATERIAL: **PE**

REVISION: **01**
 PROJECT: **DWCT**
 DATE: **Feb 06, 2014**
 WEIGHT: **---**