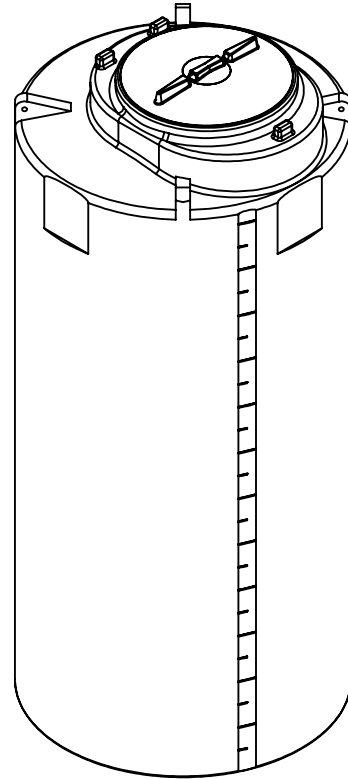
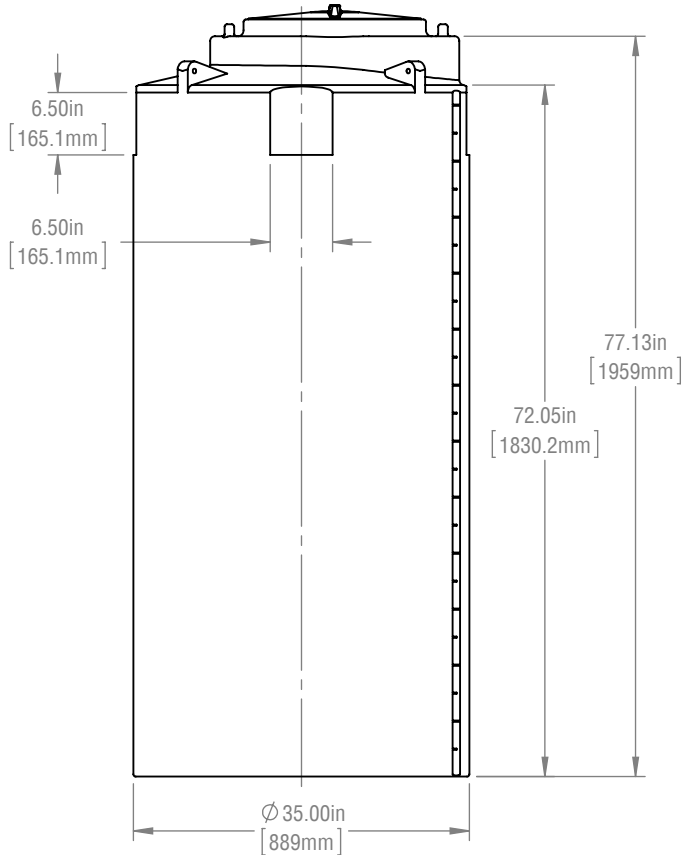
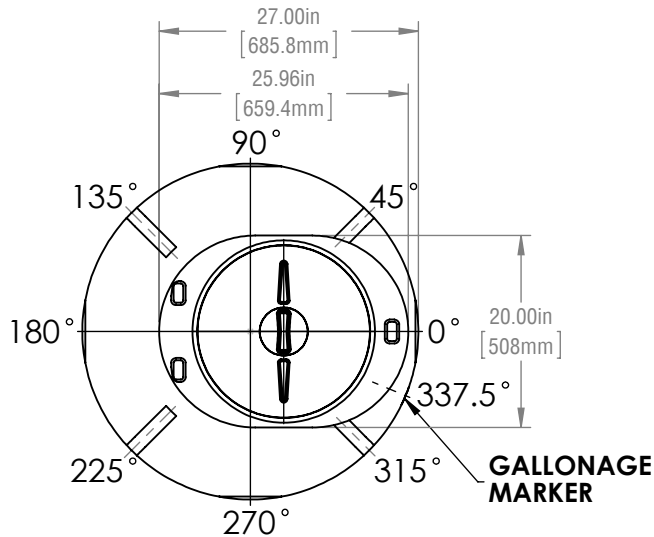


ITEM	QTY.	DESCRIPTION	PART NUMBER	MATERIAL
1	1	VST-250 I.G. @ 1.9 S.G.	1219-00300B-00-xx	PE
2	1	18" THREADED MANWAY w/ 15 ACCESS	9707-240150-80-00	PE



- NOTES:  
 1) REFER TO PLAN VIEW FOR FITTING ORIENTATION  
 2) ALL TRIMMED EDGES ARE ROUNDED OFF  
 3) ALL DIMENSIONS ARE APPROXIMATE  
 4) CAPACITY 250 IG (300 USG/1135 L)

FAILURE TO PROVIDE ADEQUATE PROVISIONS FOR TANK EXPANSION/CONTRACTION AT FITTINGS WILL VOID ALL WARRANTIES.

**\*\*TANK AVAILABLE IN 09 XPLE OR 10 HDPE\*\***

REVISIONS		
REV.	DESCRIPTION	DATE
01	KP - FIXED PART NUMBER	2016-05-25

FINAL APPROVED DRAWING CUSTOMER:..... DATE:.....



**RTS PLASTICS**  
 1027 INDUSTRIAL PLACE, PO Box 179,  
 ST. CLEMENTS, ONTARIO, CANADA  
 T:800-663-2803 F: 519-699-0027  
 2900 INDUSTRIAL PARK DRIVE, PO Box 183,  
 AUSTINBURG, OHIO, U.S.A.  
 T:888-641-3077 F:440-275-3080

TOLERANCES UNLESS OTHERWISE STATED: X.X ±3% X.XX ±2% X.XXX ±1% ANGULAR ±3%

TITLE: **VST-250 I.G. @ 1.9 S.G.**

PART NUMBER: <b>1219-00300B-00-xx</b>	REVISION: <b>01</b>
CUSTOMER: <b>RTS COMPANIES INC.</b>	PROJECT: <b>VST</b>
DRAWN BY: <b>DH</b>	DATE: <b>Oct 29, 2013</b>
MATERIAL: <b>PE</b>	WEIGHT: <b>---</b>