

XBEAM SERIES

CROSSBEAM OPTIC PETROLEUM CANOPY LIGHT

Patent pending CrossBeam™ optics ensure that the XBEAM™ is illuminating vertical surfaces to make the visible from a distance, not just blasting light at the ground! Designed for new installation and compatible with Jarvis adapter panels, the XBEAM series is perfect for gas stations, truck stops, and similar facilities.

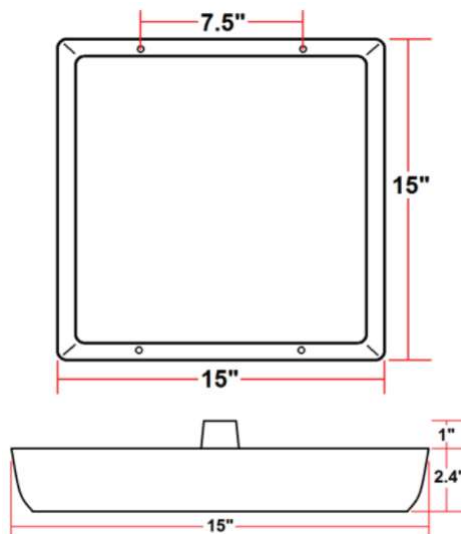


Any XBEAM series fixture also installs quickly and easily as a retrofit option for many petroleum canopy lights. Ask your Jarvis Lighting representative for more information about our adapter panels!



CONSTRUCTION & COMPATIBILITY

- CrossBeam optics illuminate vertical surfaces
- Less light wasted on the ground - improves visibility of gas station from a distance
- Heavy duty LEDs
- Slim design reduces canopy clearance by less than 3"
- Orientation of LEDs combined with lens spreads light over a large distance
- Driver contained in fixture - quick and easy installation
- Available with 0-10V dimming capability - see ordering chart below



ELECTRICAL & LIGHT OUTPUT SPECIFICATIONS

MODEL	# LEDS	INPUT	POWER	LUMENS	CCT	CRI	PF	OPTICS
XBEAM-400	4	120-277V 50/60 Hz	105W	13,110 lm	5000K - OR - 5700K	>73	>.9	PRISMATIC LENS
XBEAM-600			147W	17,420 lm				
XBEAM-600-HO			150W	19,230 lm				HIGH CLARITY GLASS LENS

ORDERING CHART

PRODUCT FAMILY	METAL HALIDE EQUIVALENT	OPTICS	COLOR	0-10V DIMMING
XBEAM SERIES: CROSSBEAM OPTIC PETROLEUM CANOPY LIGHT	400 (400W equiv., 105W) 600 (600W equiv., 150W)	(prismatic glass standard-leave blank) HO ("high output" - high clarity lens - 600 ONLY)	50K (5000K, daylight white) 57K (5700K, cool white)	(no dimming standard - leave blank) DM (0-10V dimming leads required)

