

# classique

## frankie cocktail cabinet



*pictured as cocktail cabinet*

### frankie cocktail cabinet

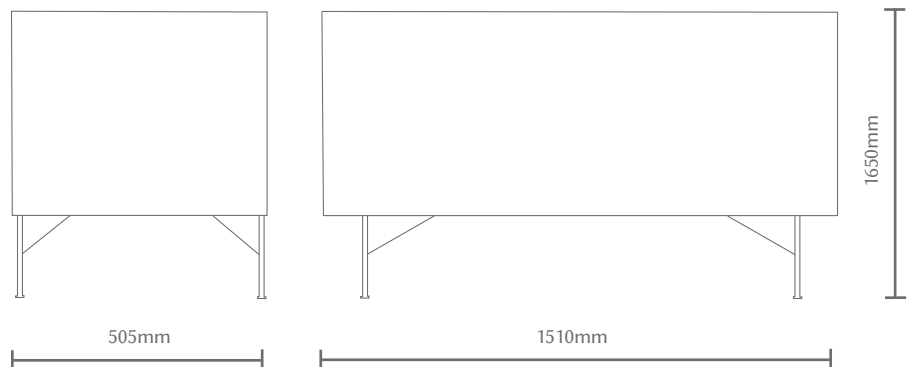
Contemporary Art Deco meets Mid-Century Design. The Frankie is made of reconstituted planked veneer. The metal base has a brass lacquered finish. Inside complete with adjustable shelving (one wooden and 2 glass shelves). Automatic sensor lighting to complete this stunning piece. Unfortunately, due to the gorgeous curved detail we cannot change the depth.

### measurements

L 1510mm  
D 505mm  
H 1650mm

### dimensions

Wood: Reconstructed Planked Veneer  
Colour: Charred



designed + made in new zealand