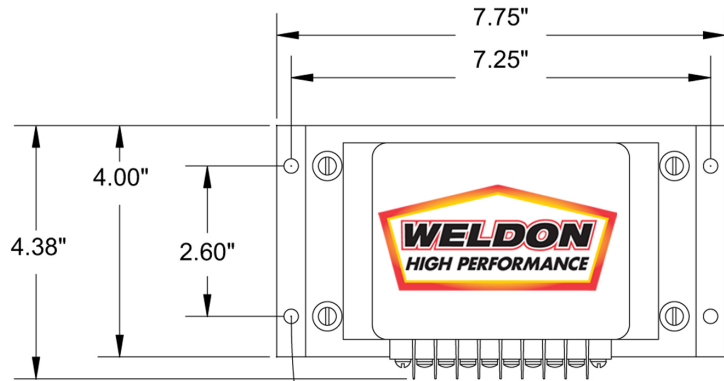
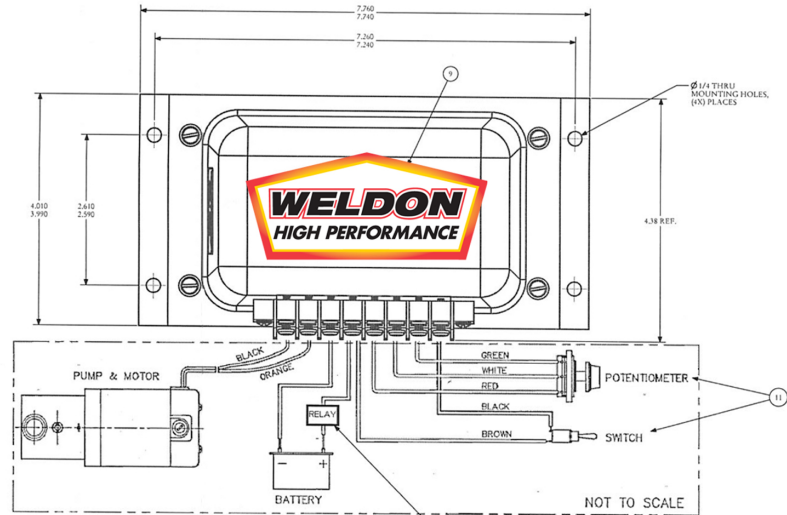
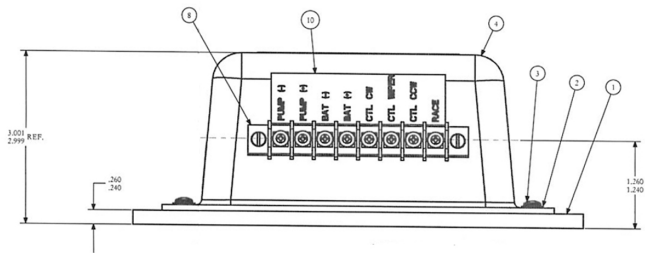
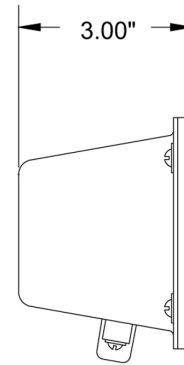




14000 Controller Schematic



(4X) USE #10 FASTENERS THROUGH 1/4\"/>



IGNITION SWITCHED IGNITION 30 AMP RELAY BETWEEN BATTERY POSITIVE (+) TERMINAL AND CONTROLLER UNIT WITH APPROPRIATE FUSE AS ILLUSTRATED

