

ATEX



EX1250 STATIC ELIMINATOR BAR

The EX1250 Bar is a high performance static eliminator with ATEX certification for use in hazardous areas.

Maximum ionisation performance in a hazardous area.

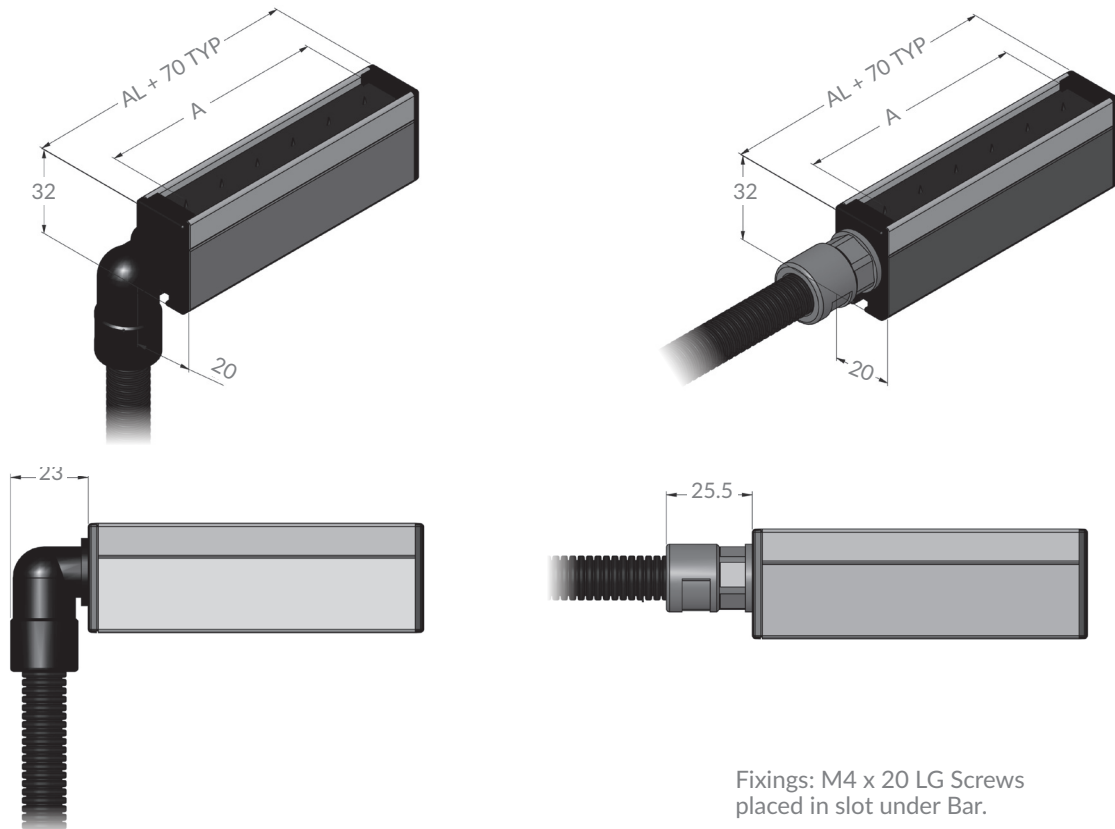
- > The EX1250 is part the Fraser 1250 family of static eliminators, which offer market-leading reliability and performance.
- > Stay-sharp etched emitters for better long term performance. Life 5 years +. Non-infectious.
- > Emitters at 15 mm pitch provide more ionisation and so better neutralisation.
- > Robust construction, but compact and easy to install.
- > Operating distance up to 150 mm. Best distance for high speeds and high charges 25 - 50 mm.
- > Washable and suitable for food, medical and pharmaceutical applications.
- > All electronic components are fully encapsulated for maximum reliability.
- > Certified for Zones 1 & 2. Gas group IIB (ethylene).



Specification

Length:	Any size from 120 mm to 6000 mm. Active length is 70 mm less than overall length.
Mounting:	M4 x 20 mm hexagon studs slide in slot for mounting.
Cable:	3 m of cable in protective nylon conduit is standard, longer lengths can be specified at time of order. Please check that 3 m is sufficient - the Power Unit must be positioned outside the hazardous area.
Safety:	High resistance in emitters for shockless operation.
Environment:	Location should be dry and oil free. 50° maximum temperature. 70% rH non-condensing max.
Power Unit:	HP EX Power Unit, must be positioned outside of the hazardous area.
Options:	Airboost for extending the range up to 500 mm.- see 1250 AB. Optional remote function monitoring showing status of high voltage and whether Bars require cleaning. 90° cable exit. Monitoring and alarm function on Power Unit to show that bars are operating correctly.

Dimensions (mm)



Fixings: M4 x 20 LG Screws placed in slot under Bar.

Dimensions in mm.

ATEX Certification

The details of the ATEX certification for the EX1250 Bar are:

<p>EX-1250 Static Eliminator Bar YYYY/NNNN</p> <p> II 2G IIB T6 (-20° ≤ Ta ≤ +50°C)</p> <p>Baseefa 07ATEX0157X</p> <p>Fraser Anti-Static Techniques Ltd, Scotts Business Park, Bampton EX16 9DN UK</p> <p>www.fraser-antistatic.co.uk</p>	<p> 1180</p> <p> FRASER Anti-Static Techniques</p>
---	---

Explanation

- II** Industrial equipments.
- 2** Equipment category: high protection. Suitable for zones 1 and 2.
- G** Equipment used in potentially explosive atmospheres caused by presence of explosive gas, vapour and mist. Certification also covers zone 22 dust.
- IIB** Gas Group. Group IIB covers Ethylene, in addition to the IIA Gases including Acetone, Benzene, Butane, Ethanol, Methane, Propane, Toluene and Xylene.
- T6** (-20 °C ≤ Ta ≤ +50 °C) Temperature class. Maximum Surface Temperature T6 = 85 °C.

How does it work?

The EX1250 is powered by the EXHP Power Unit, a high load 6 kV Power Unit.

Please see separate Datasheet for more details.